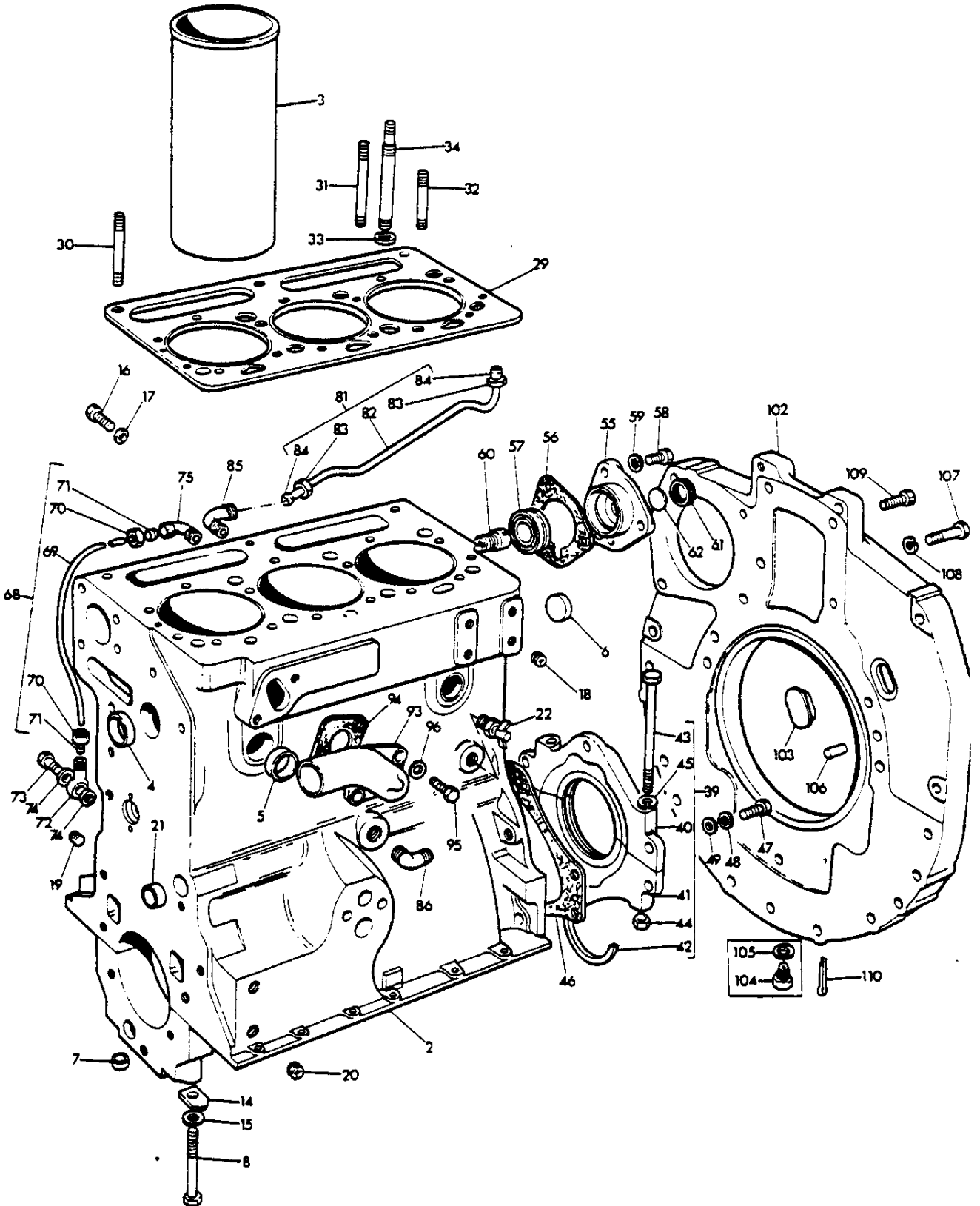
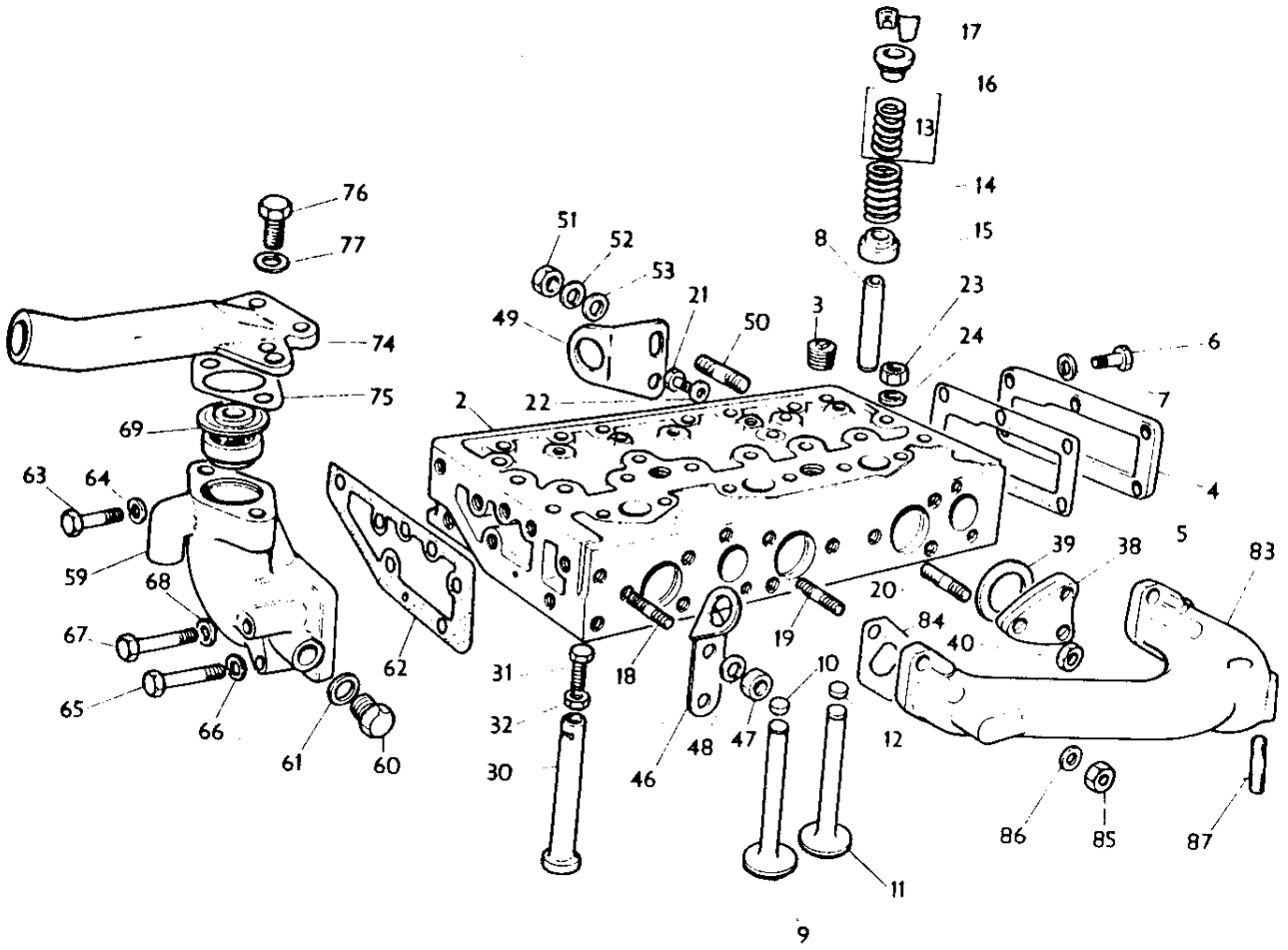


CYLINDER BLOCK A3.152  
(DIESEL)

CPC.4218.1

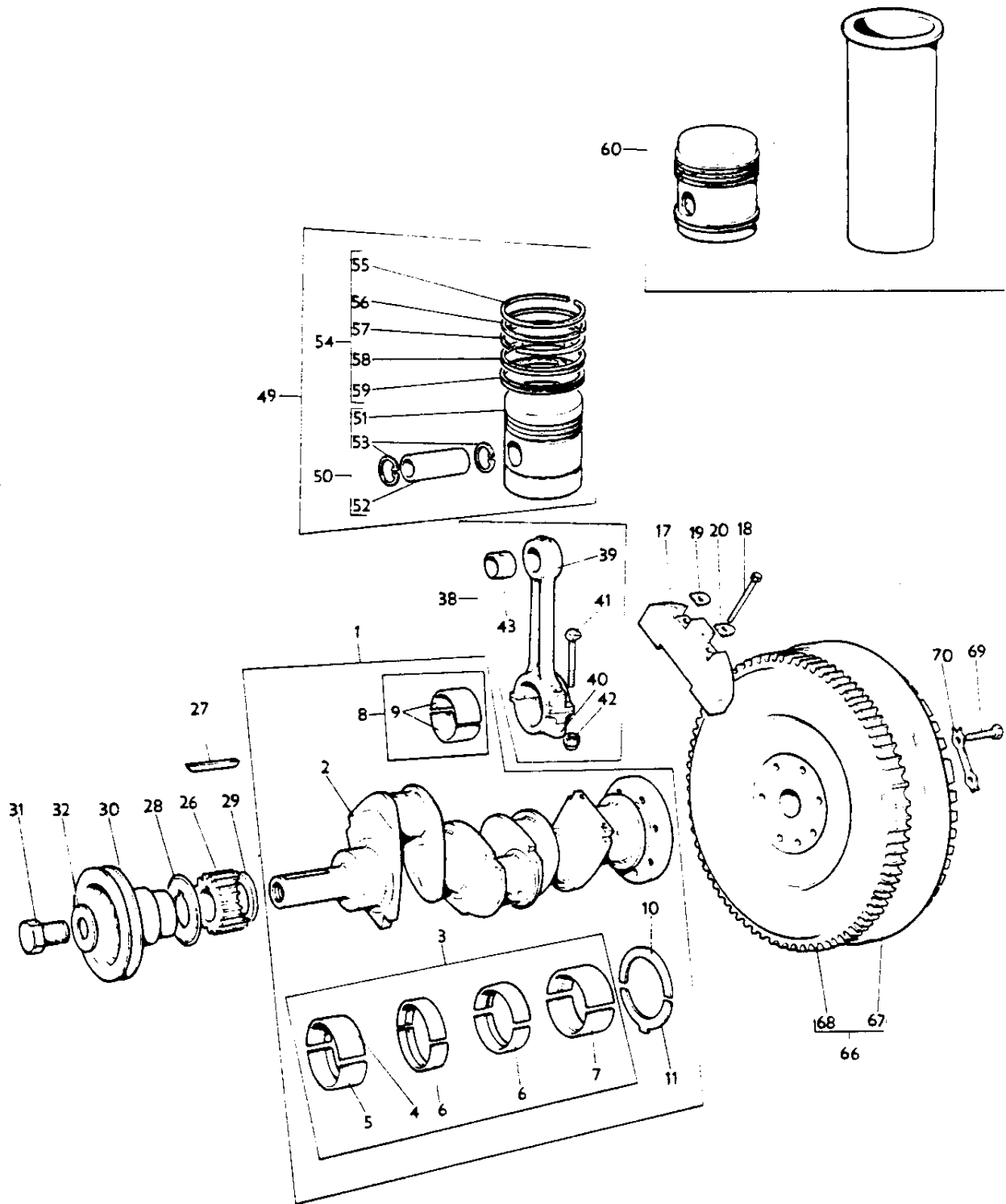


CYLINDER HEAD A3.152  
(DIESEL)



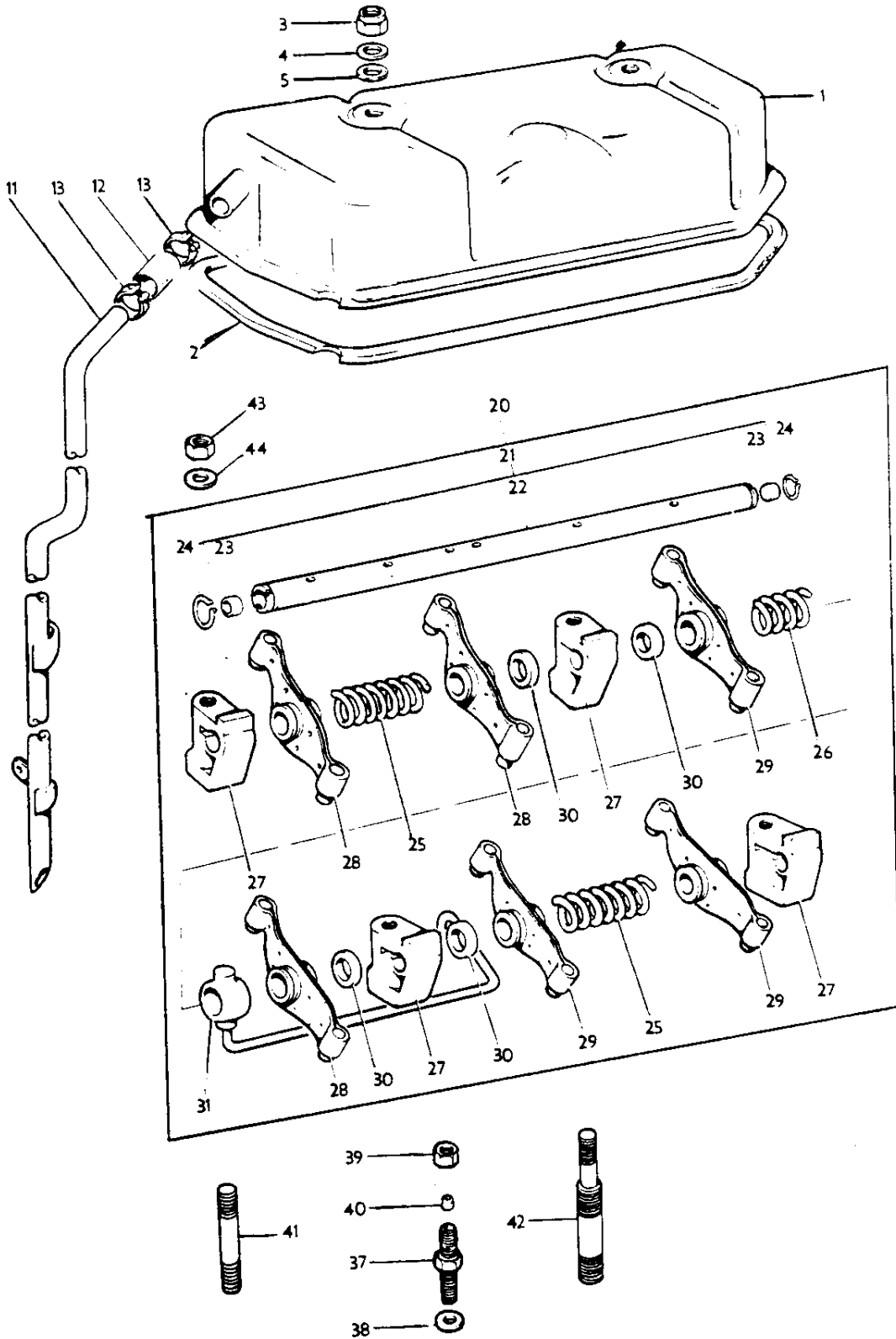
CRANKSHAFT A3.152  
(DIESEL)

CPO. 4220



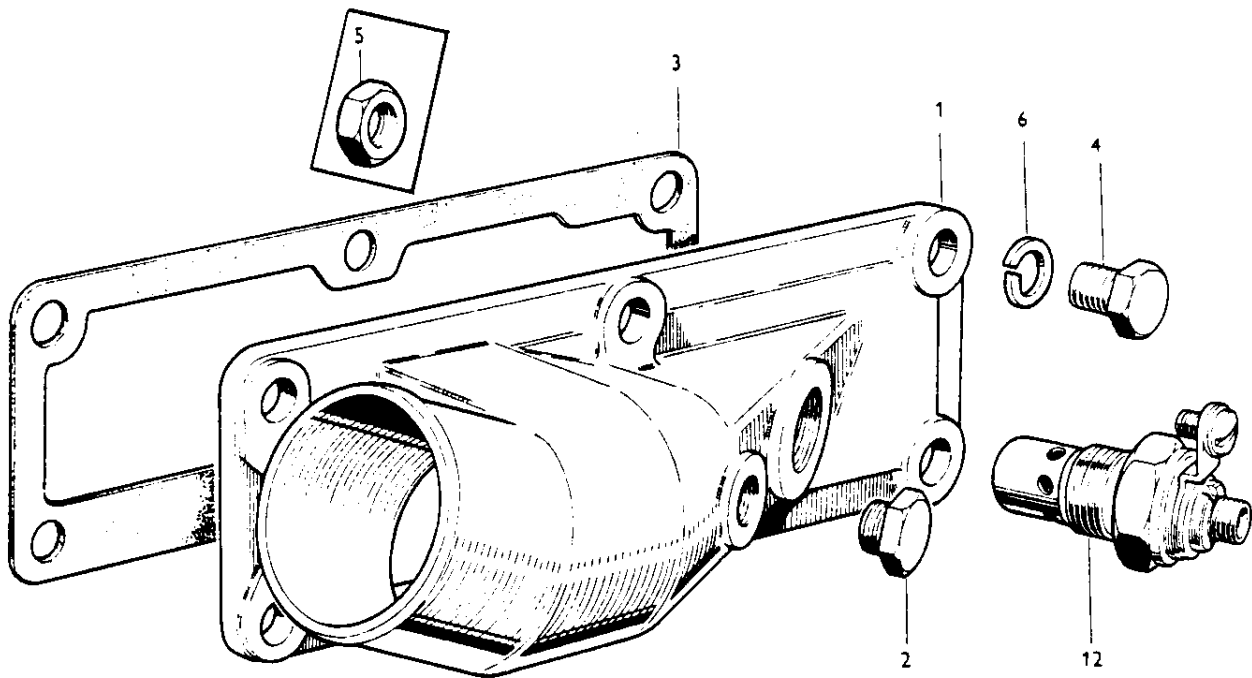
CYLINDER HEAD COVER A3.152  
(DIESEL)

CPO.4221



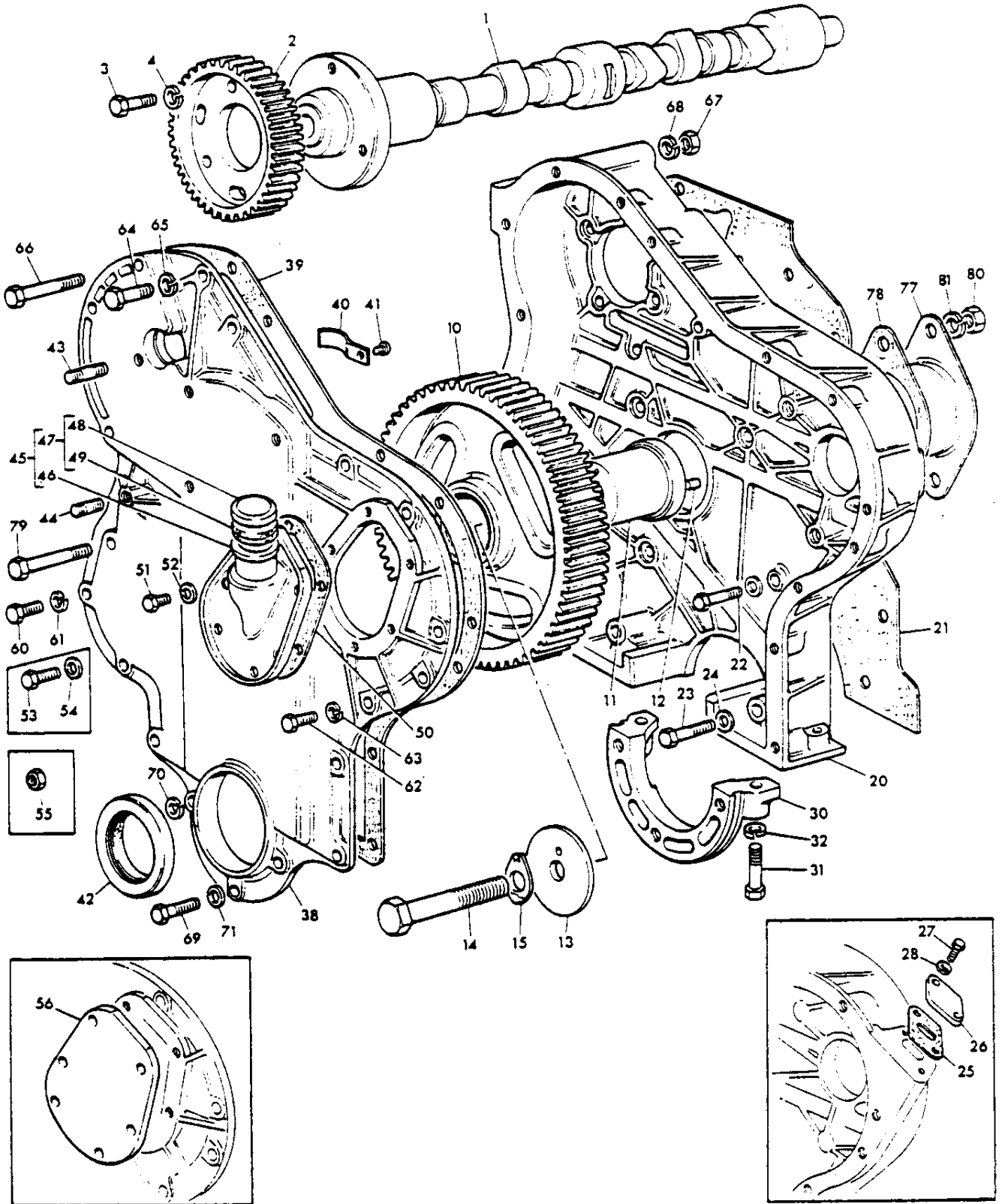
AIR INDUCTION SYSTEM A3.152  
(DIESEL)

CPO. 4222



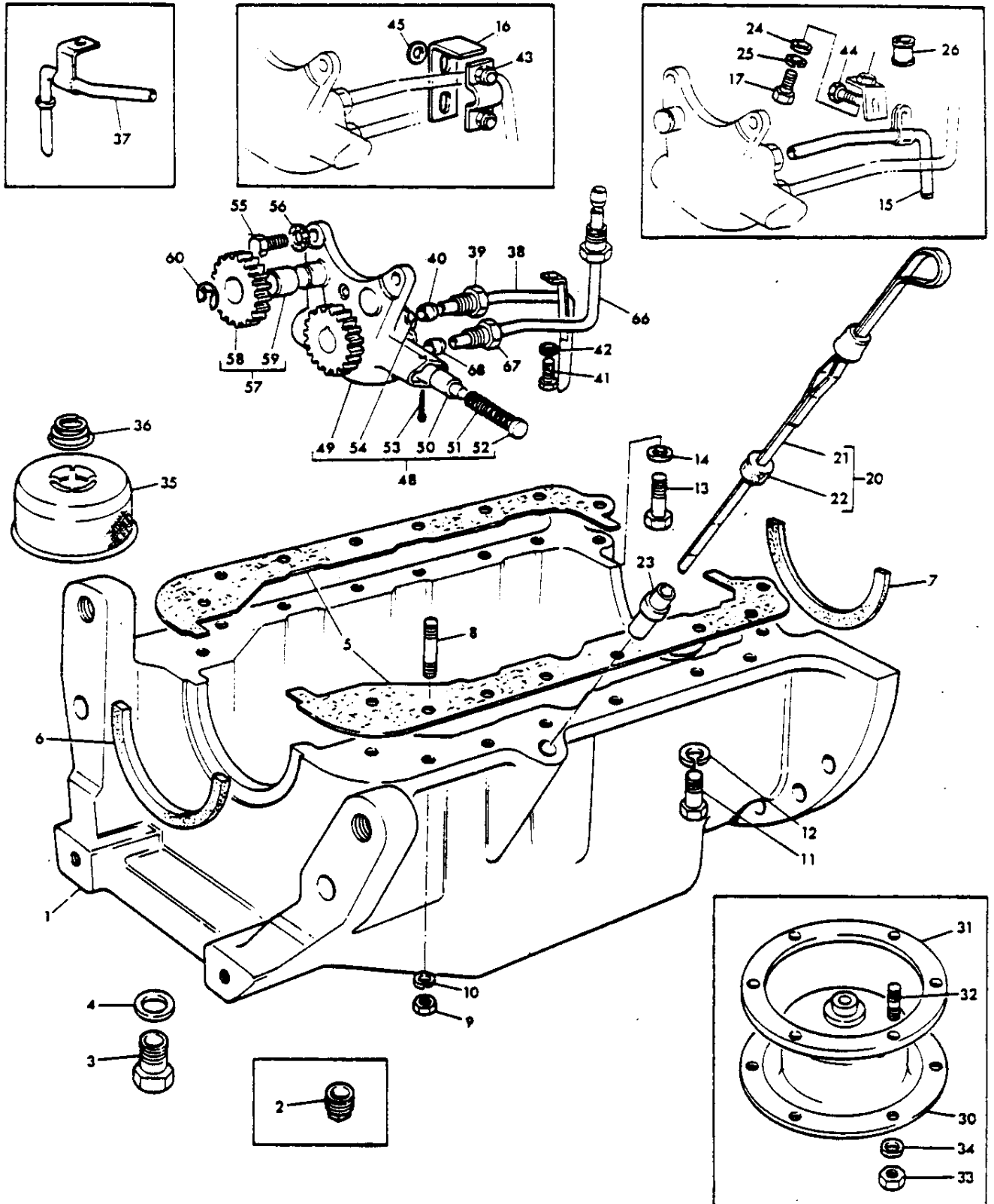
TIMING GEAR AS.152  
(DIESEL)

CPO.4223/1



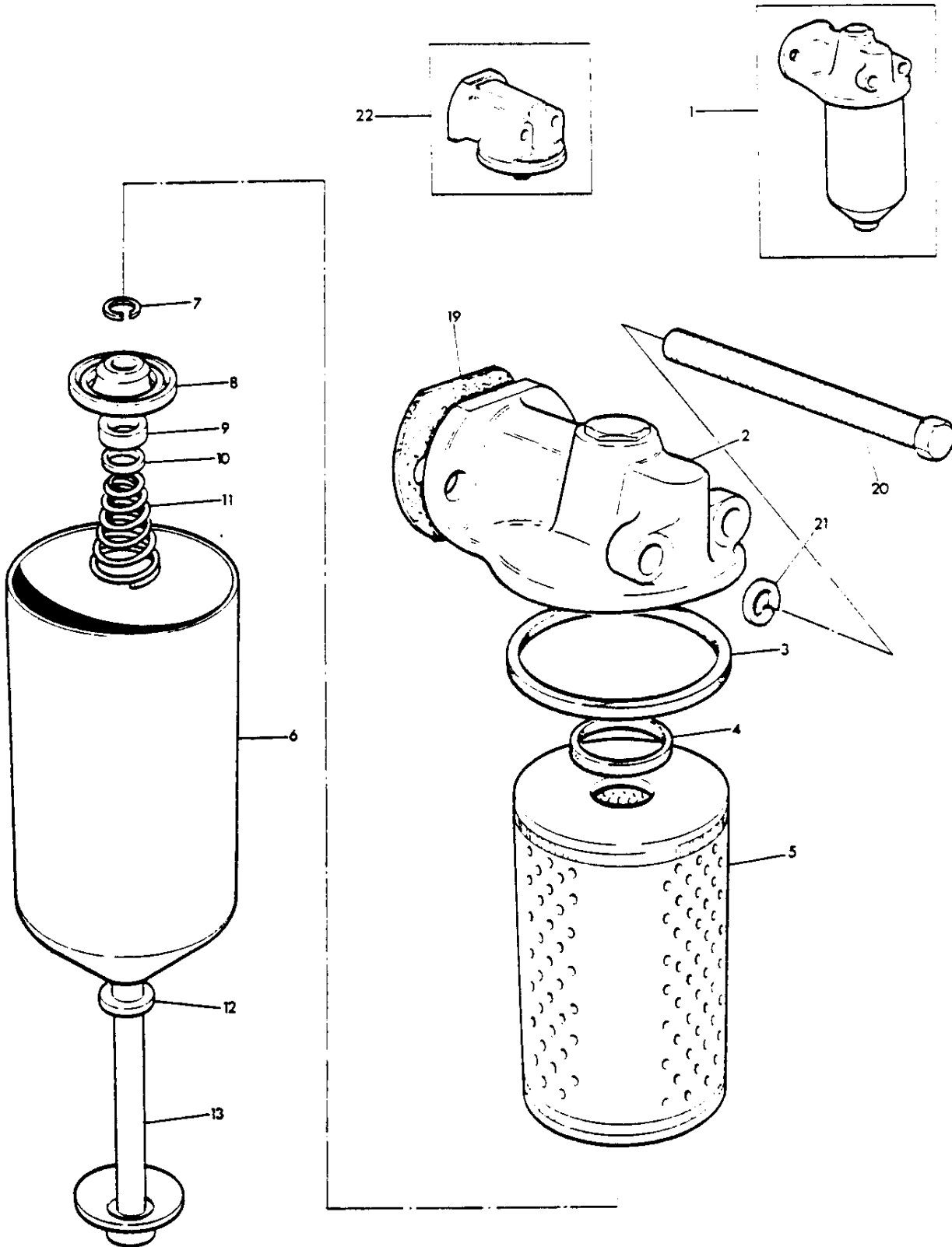
LUBRICATING OIL SUMP ASSEMBLY  
(DIESEL)

CPO.4224/1



LUBRICATING OIL FILTER ASSEMBLY  
(DIESEL)

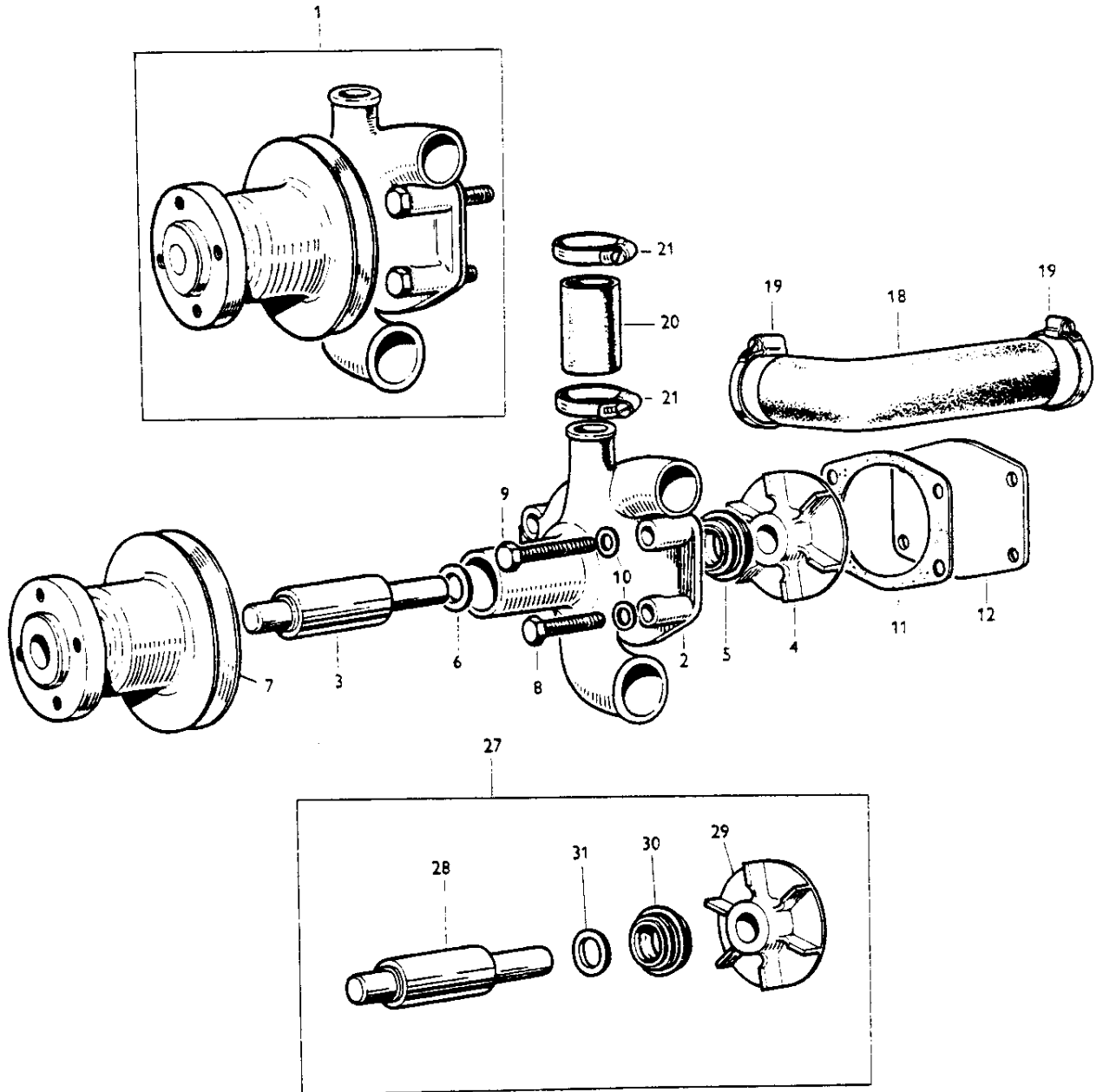
CPO. 4225/1





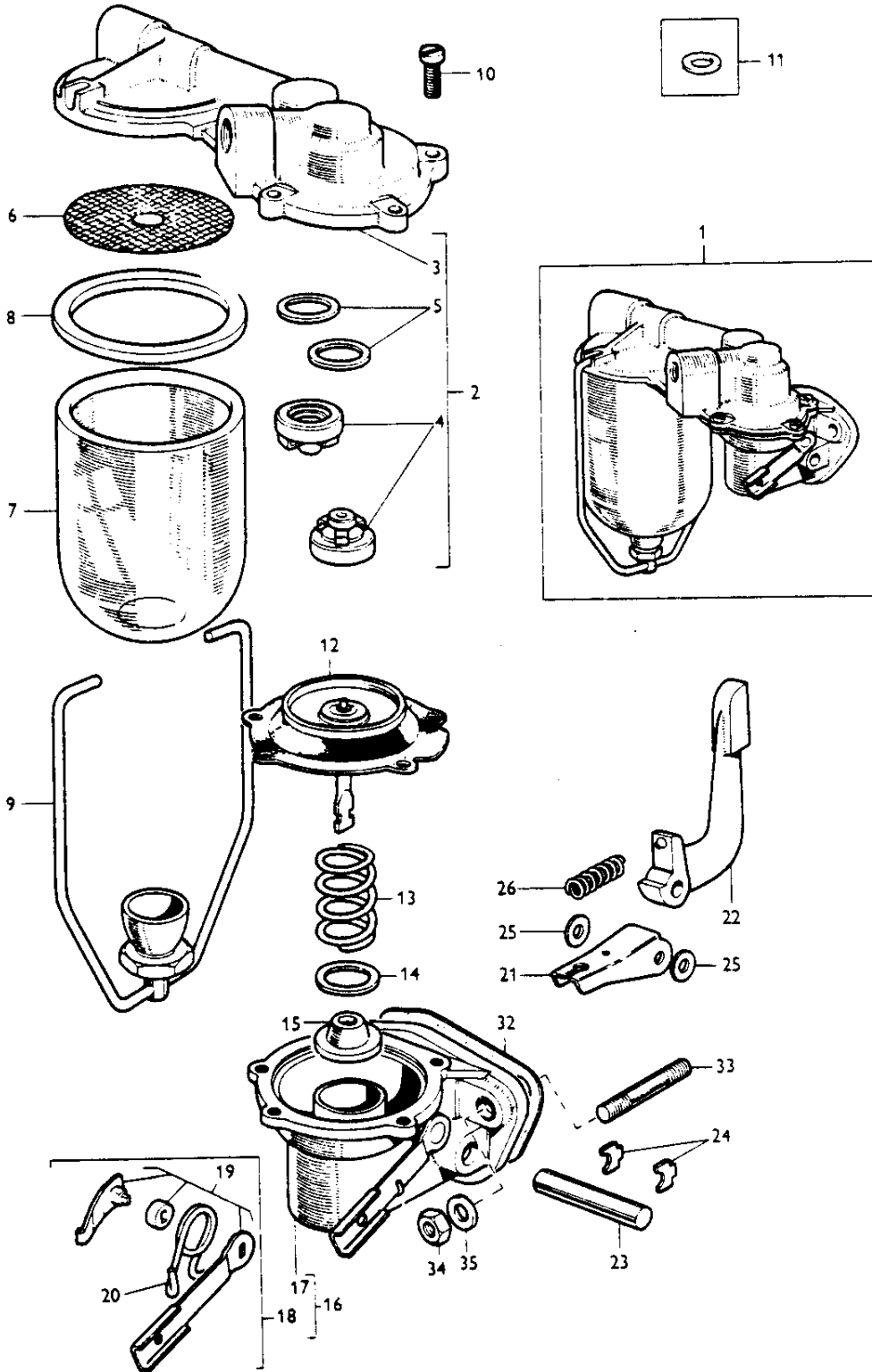
WATER PUMP A3.152  
(DIESEL)

CPO.4226

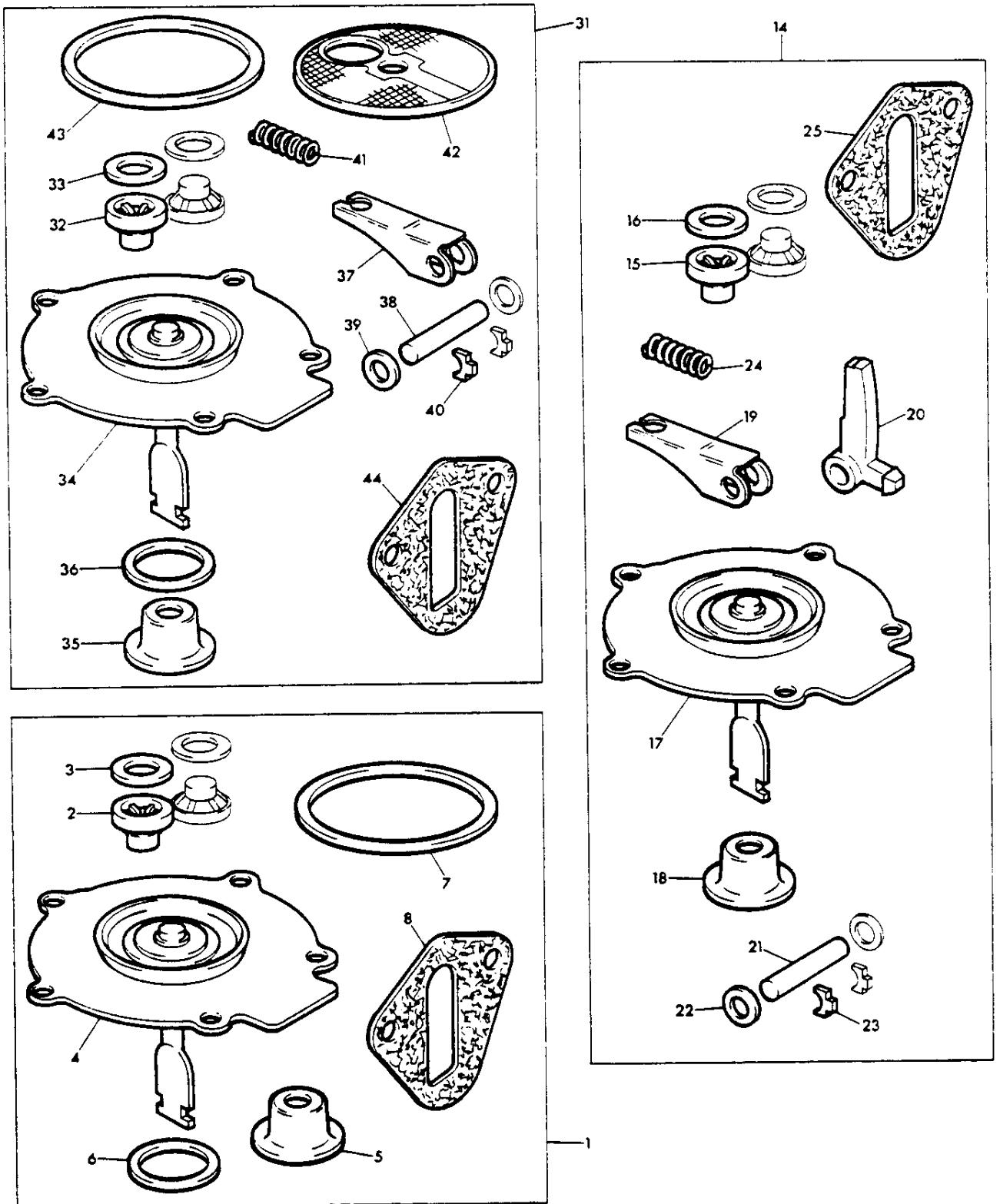


FUEL OIL LIFT PUMP A3.152  
(DIESEL)

CPO.4227

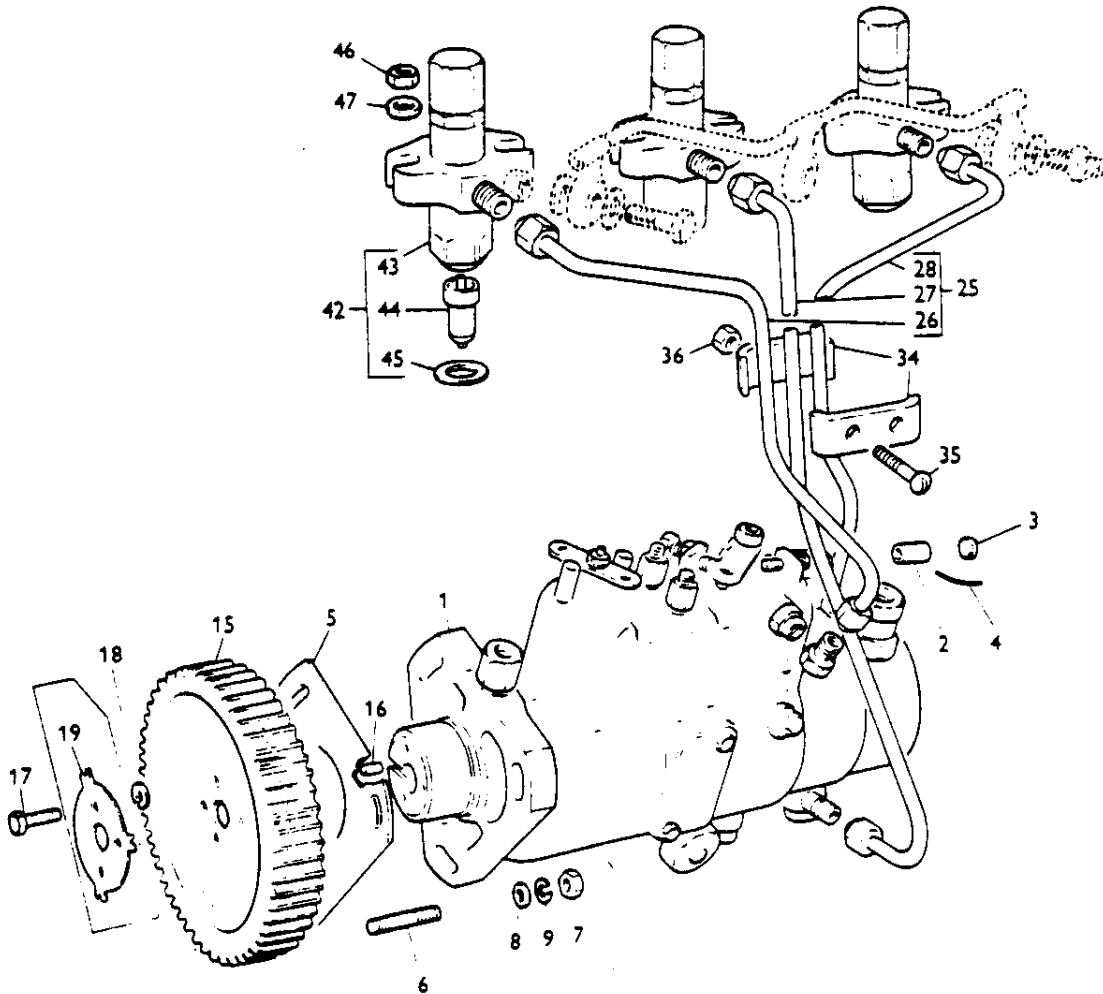
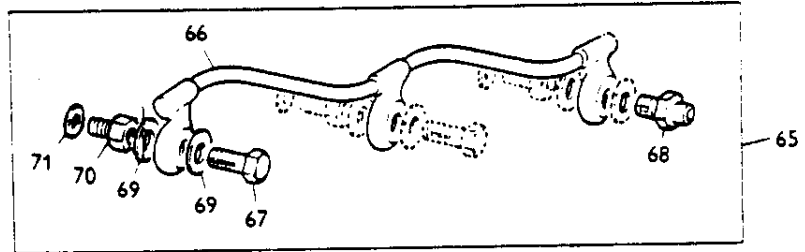
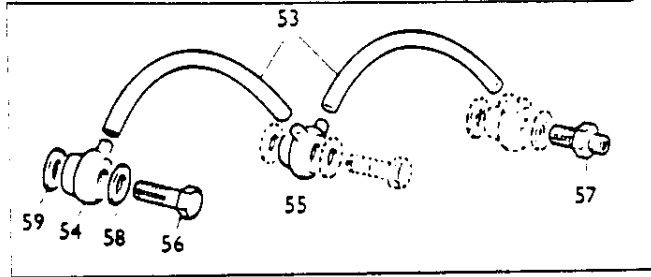


CP 4426

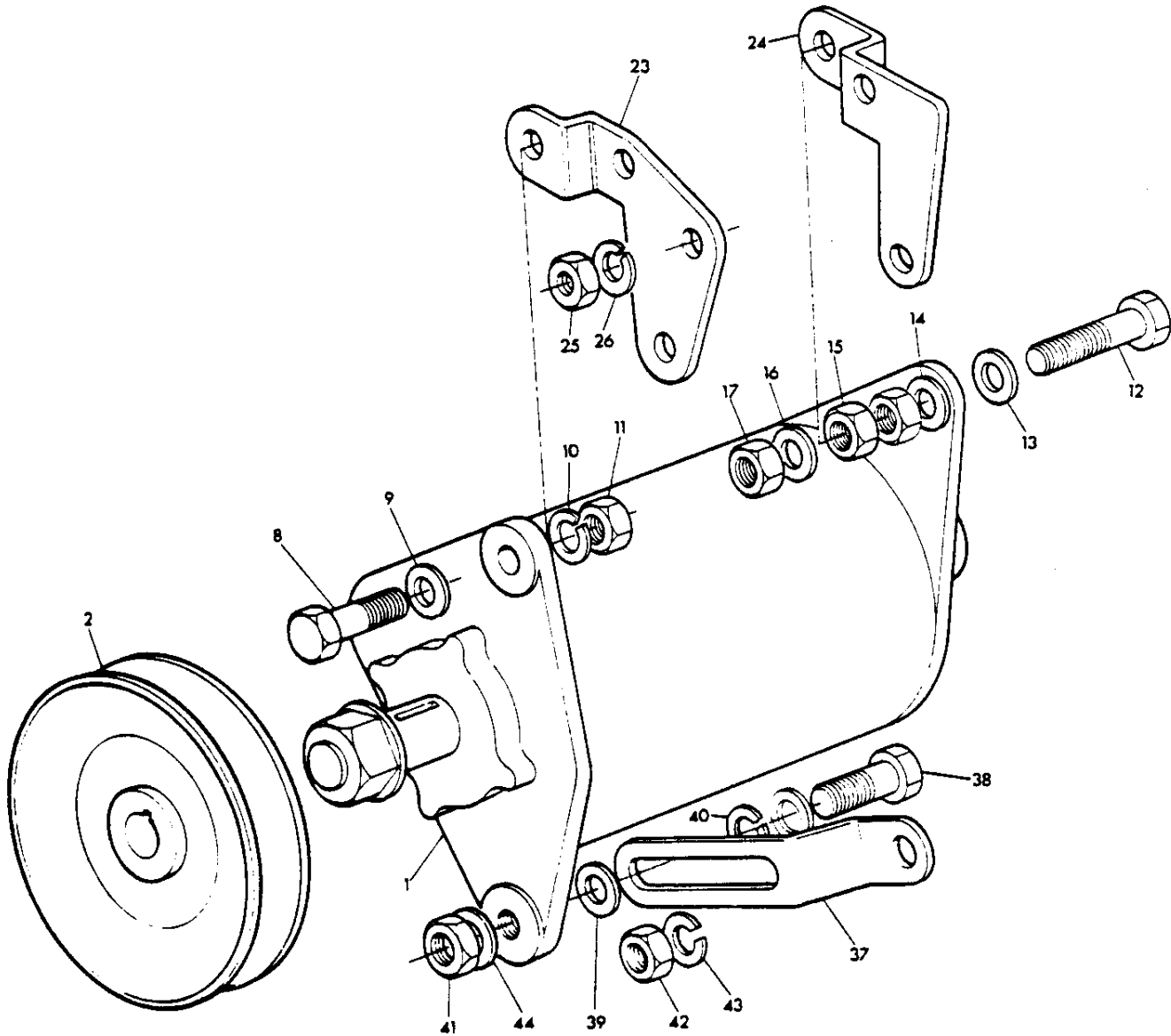
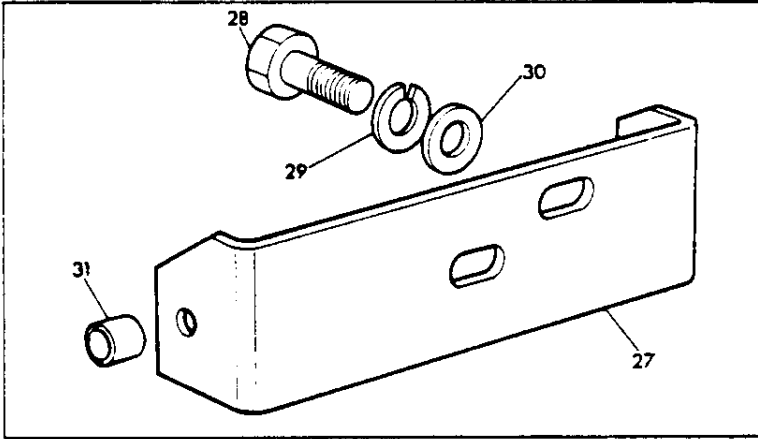


FUEL INJECTION PUMP A3.152  
(DIESEL.)

CPO. 4229

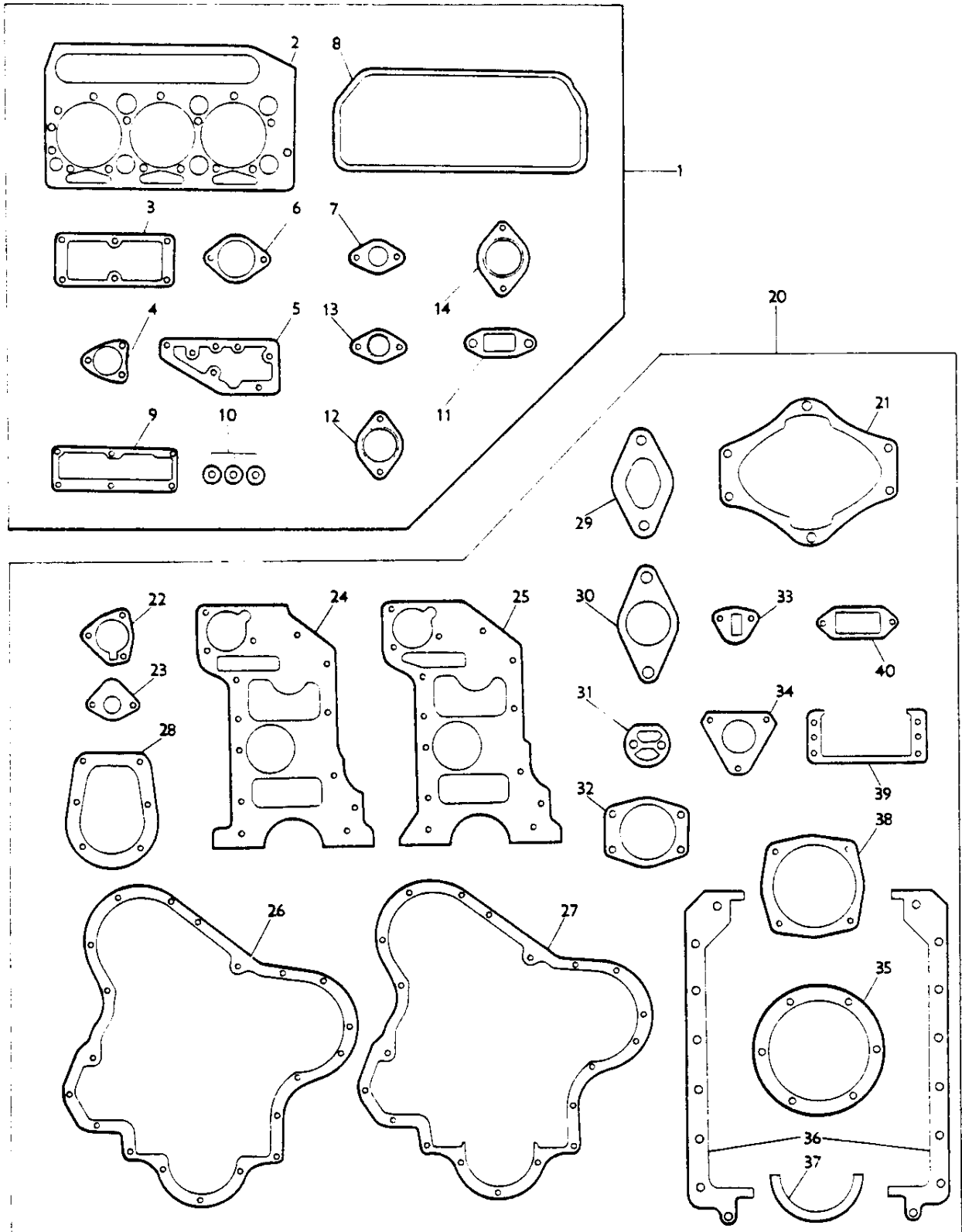


CP0.423C/1

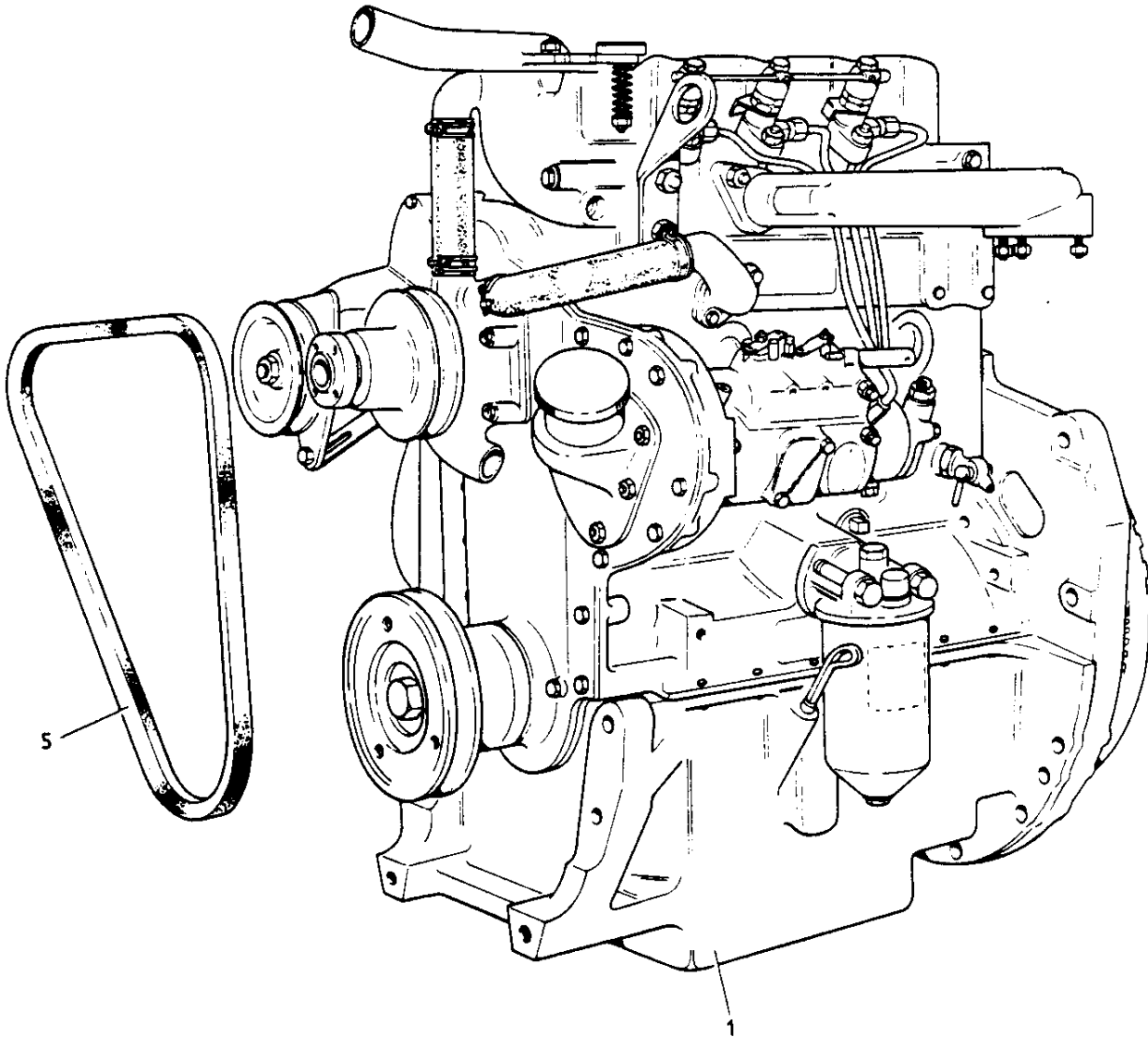
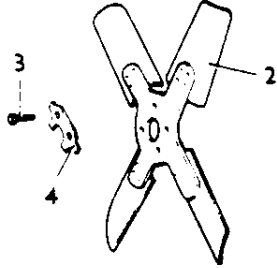


JOINTS AND GASKETS A3.152  
(DIESEL)

CPC.4231

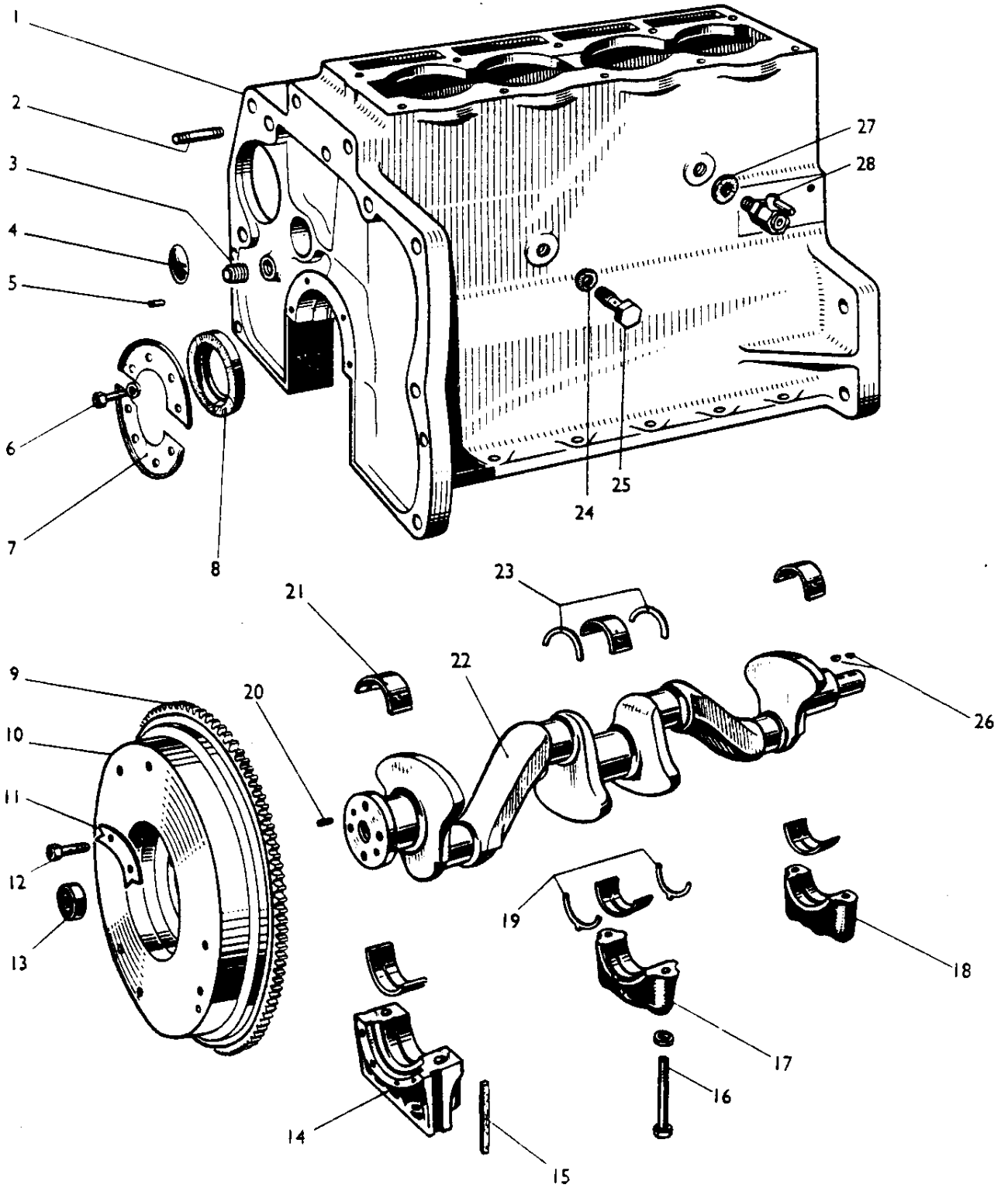


CPO.4398



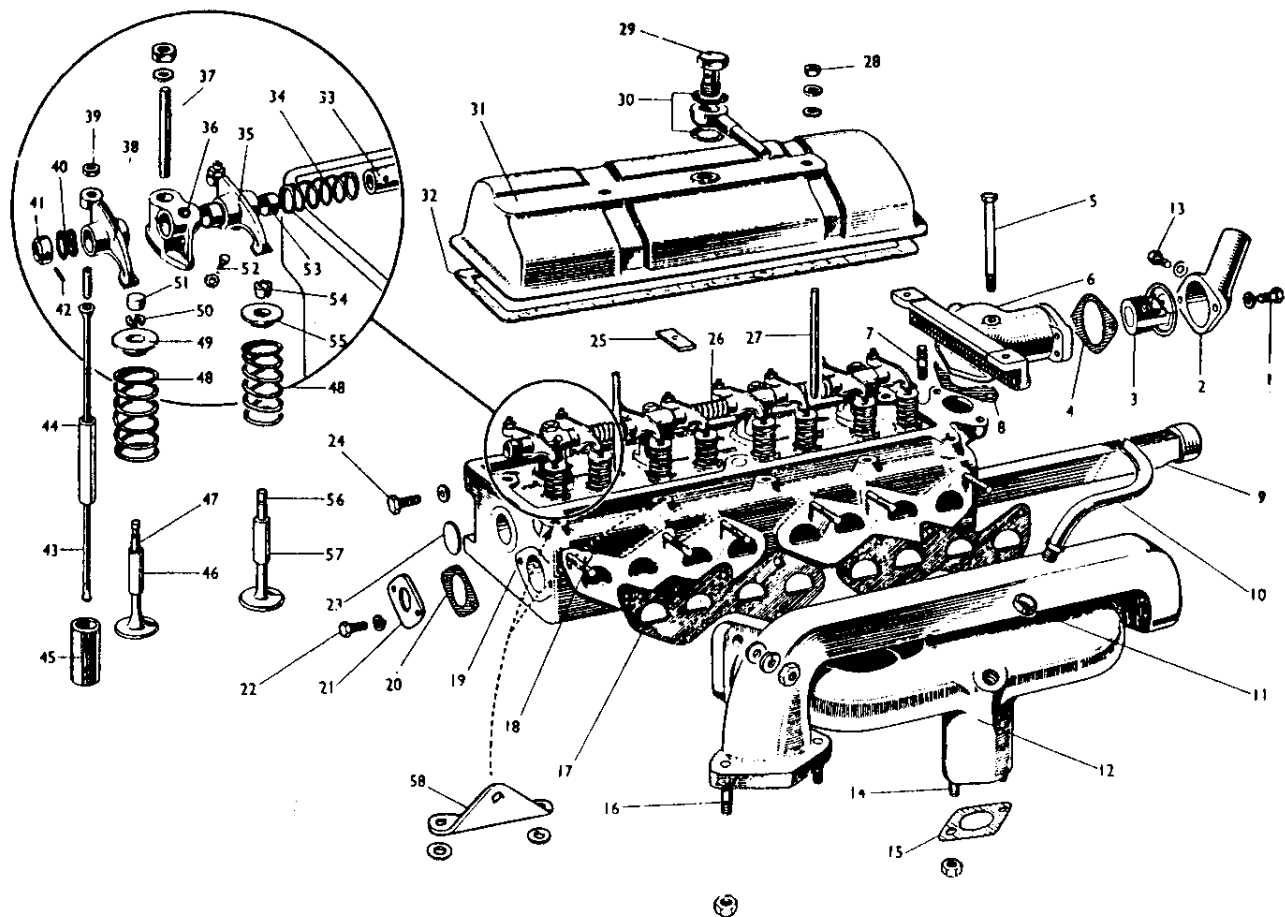
CYLINDER BLOCK, CRANKSHAFT  
(87 MM ENGINES)

CTP.50



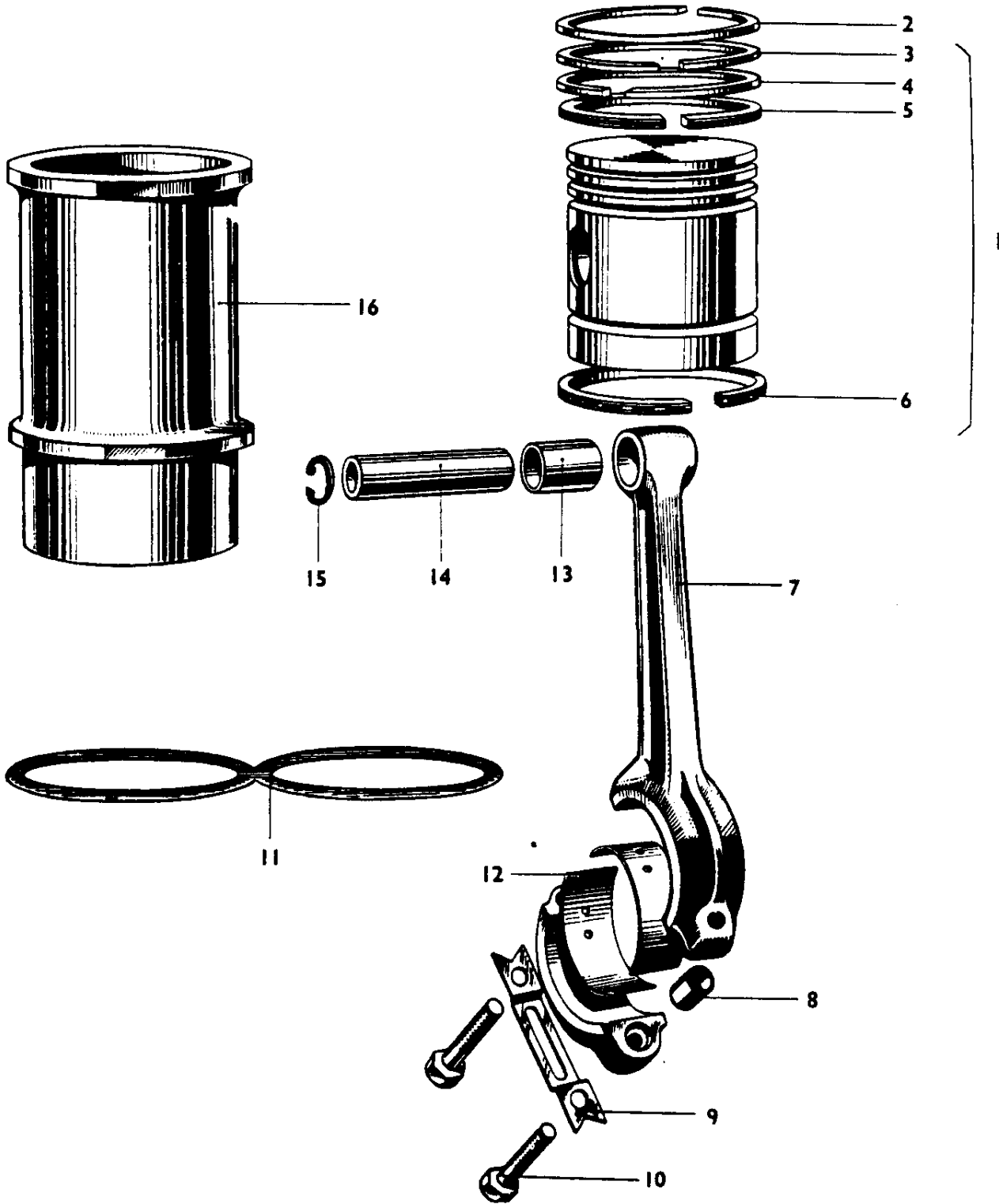


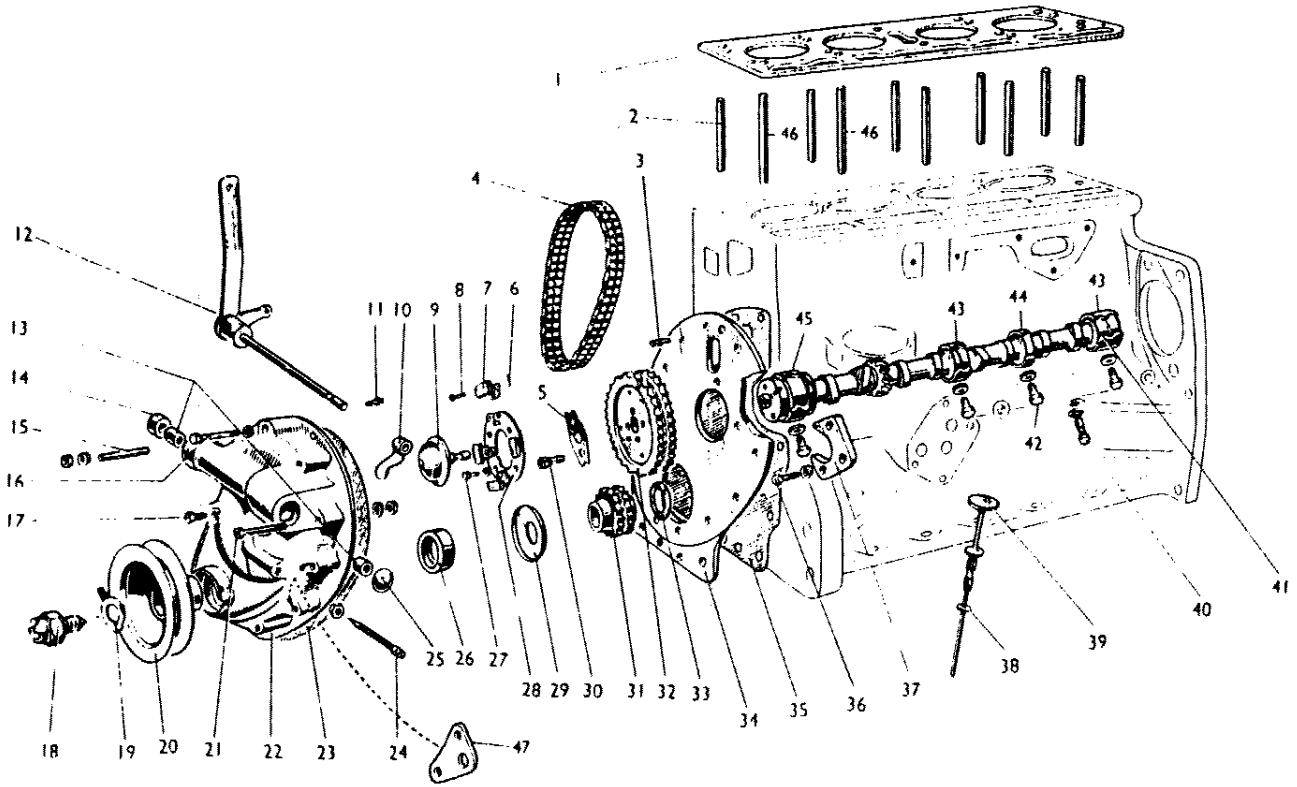
CYLINDER HEAD  
87 M/M ENGINES



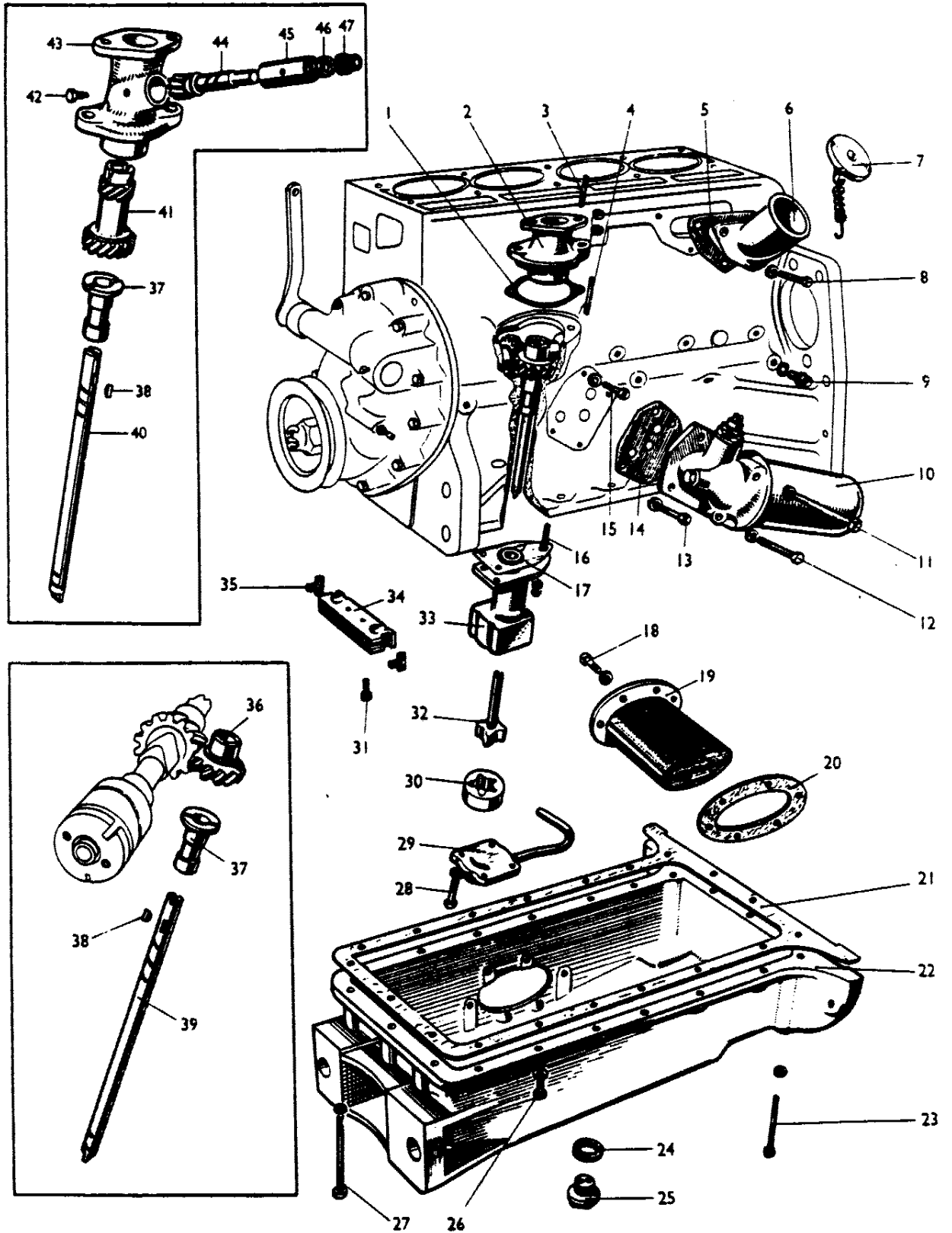
PISTON AND CONNECTING ROD  
87 M/M ENGINES

CTP.52



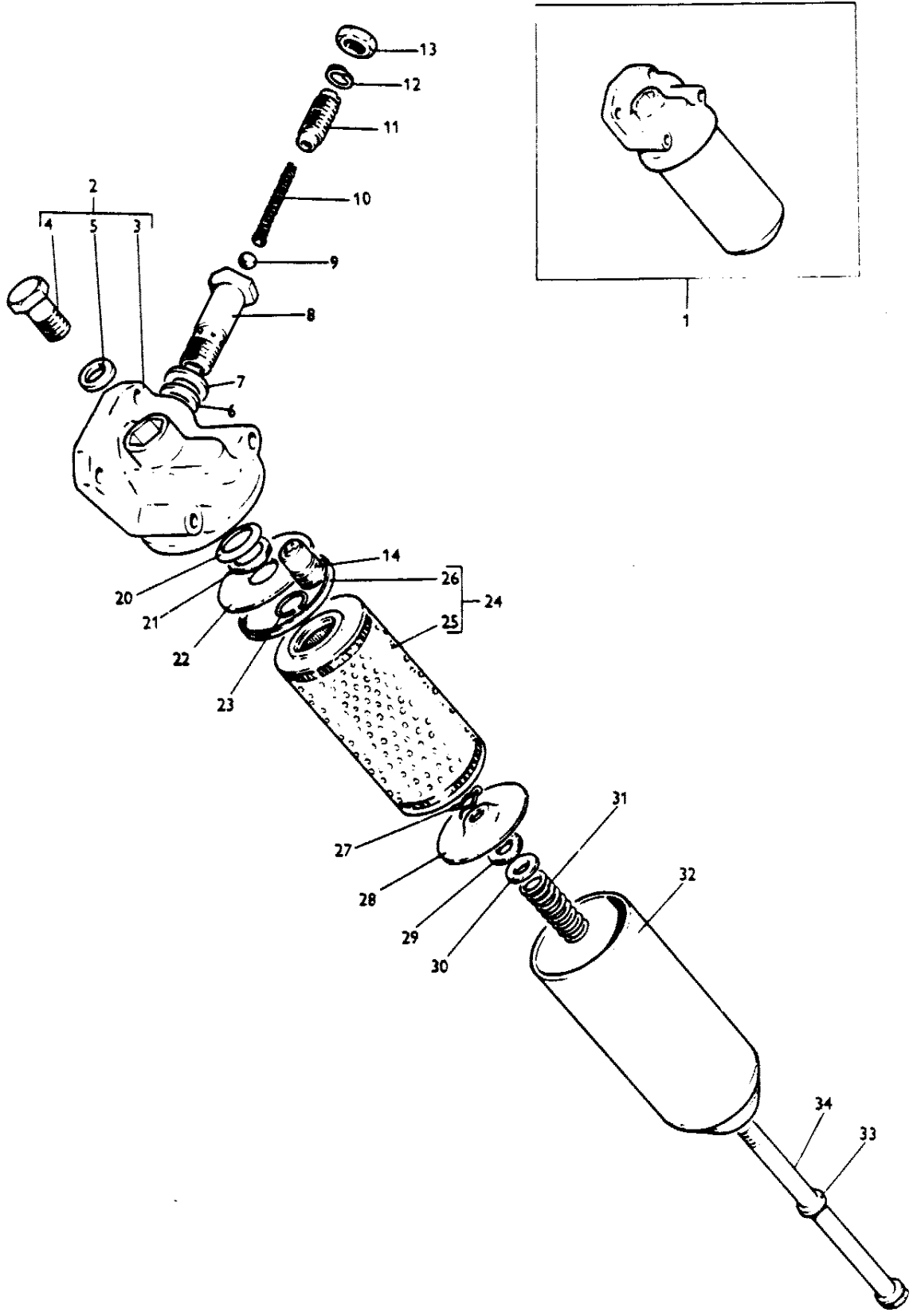


CTP.53

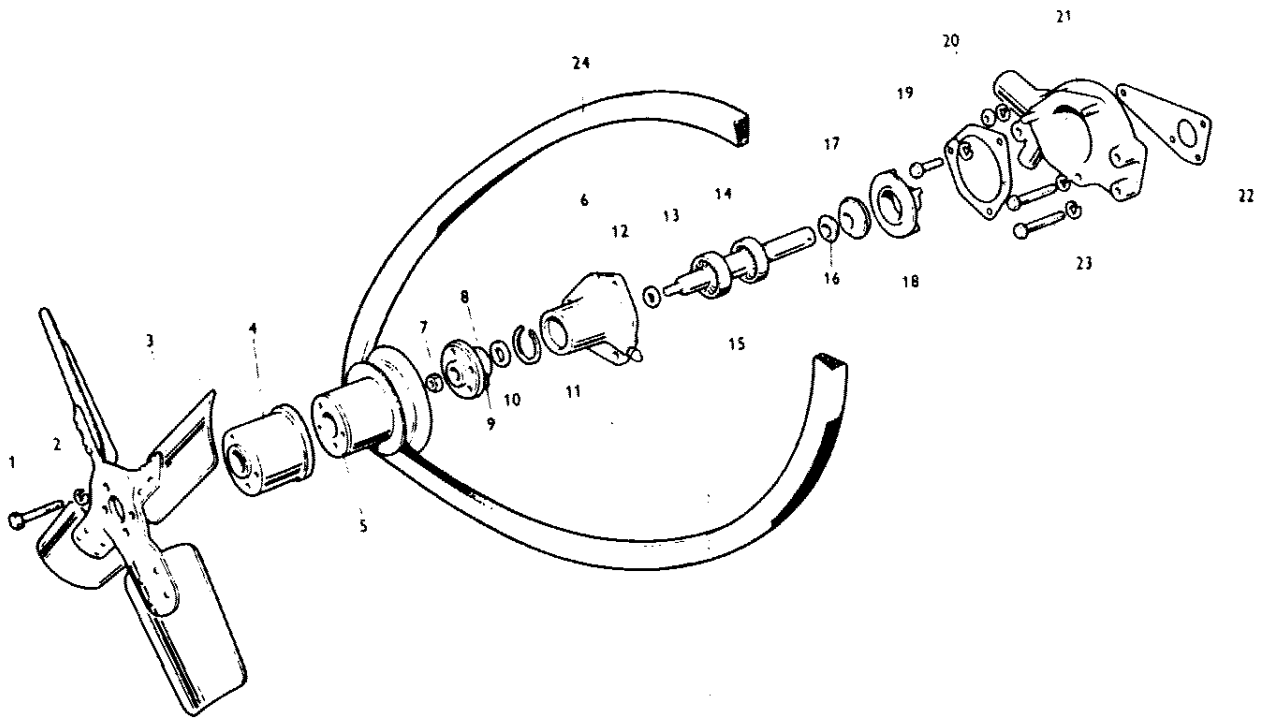


LUBRICATING OIL FILTER  
87 M/M ENGINES

CPO.4325

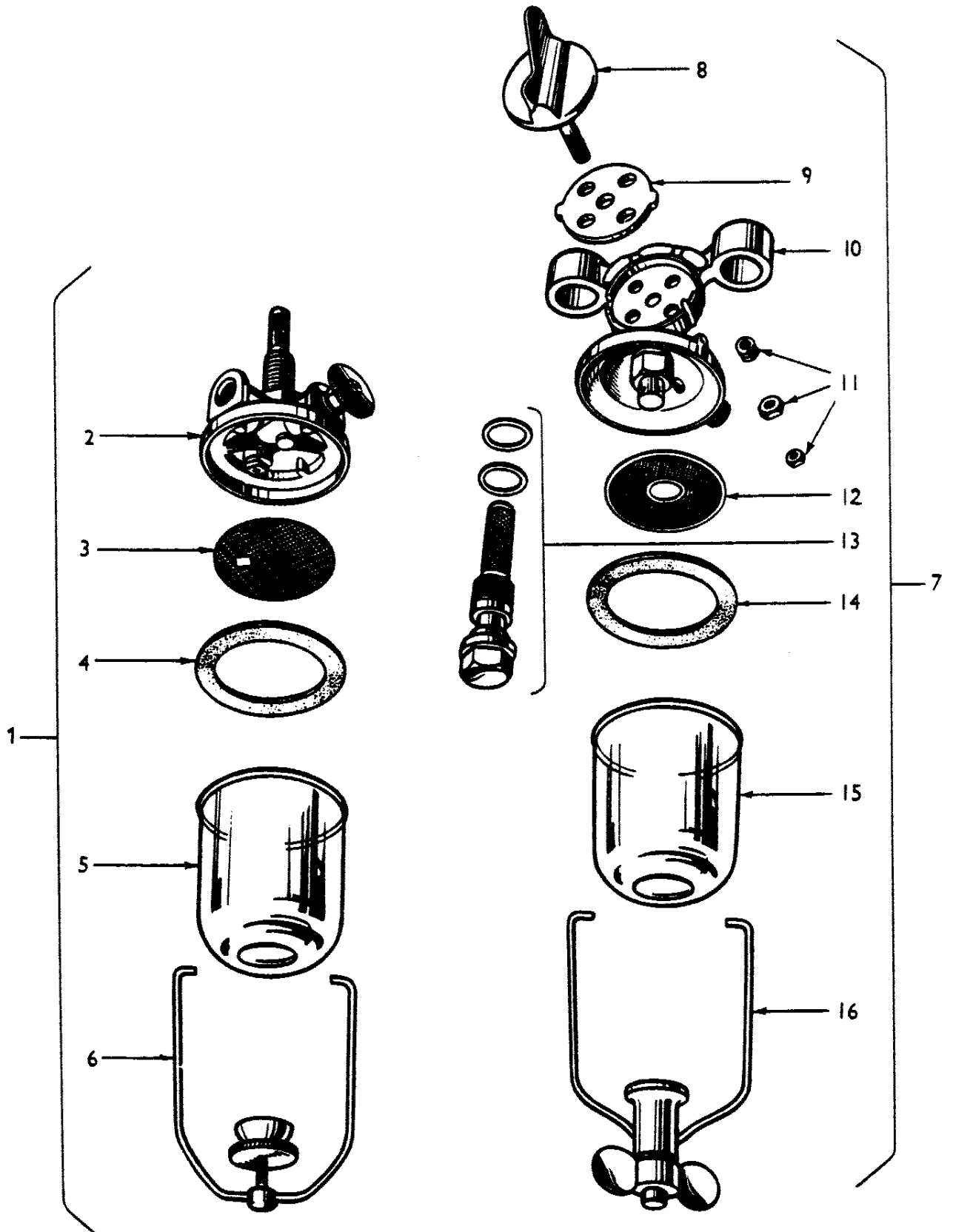


WATER PUMP ASSEMBLY AND FAN



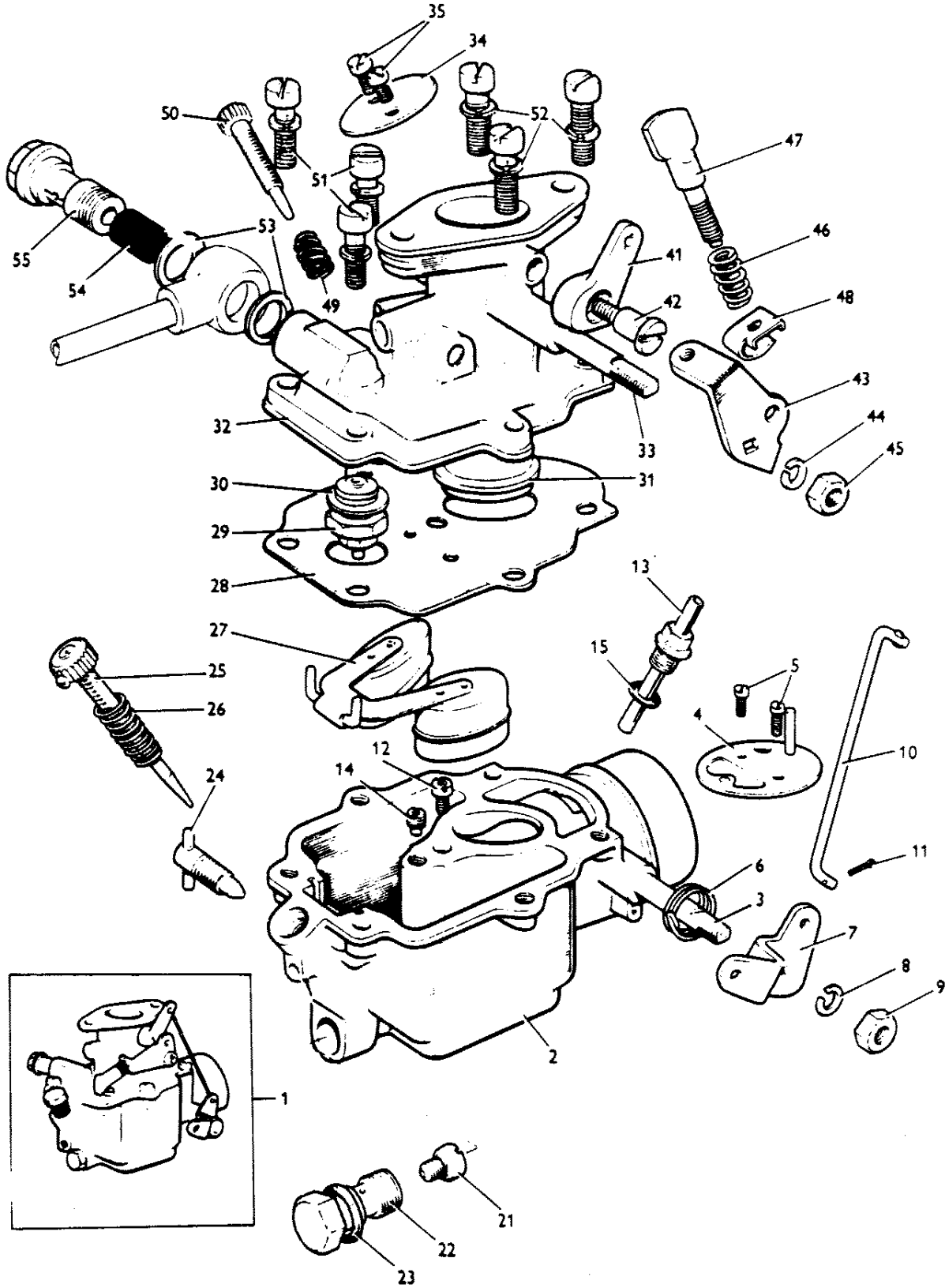
FUEL VALVE AND SEDIMENT BOWL  
(87 M/M ENGINES)

CTP.61



CARBURETTOR ZENITH  
87 M/M ENGINES

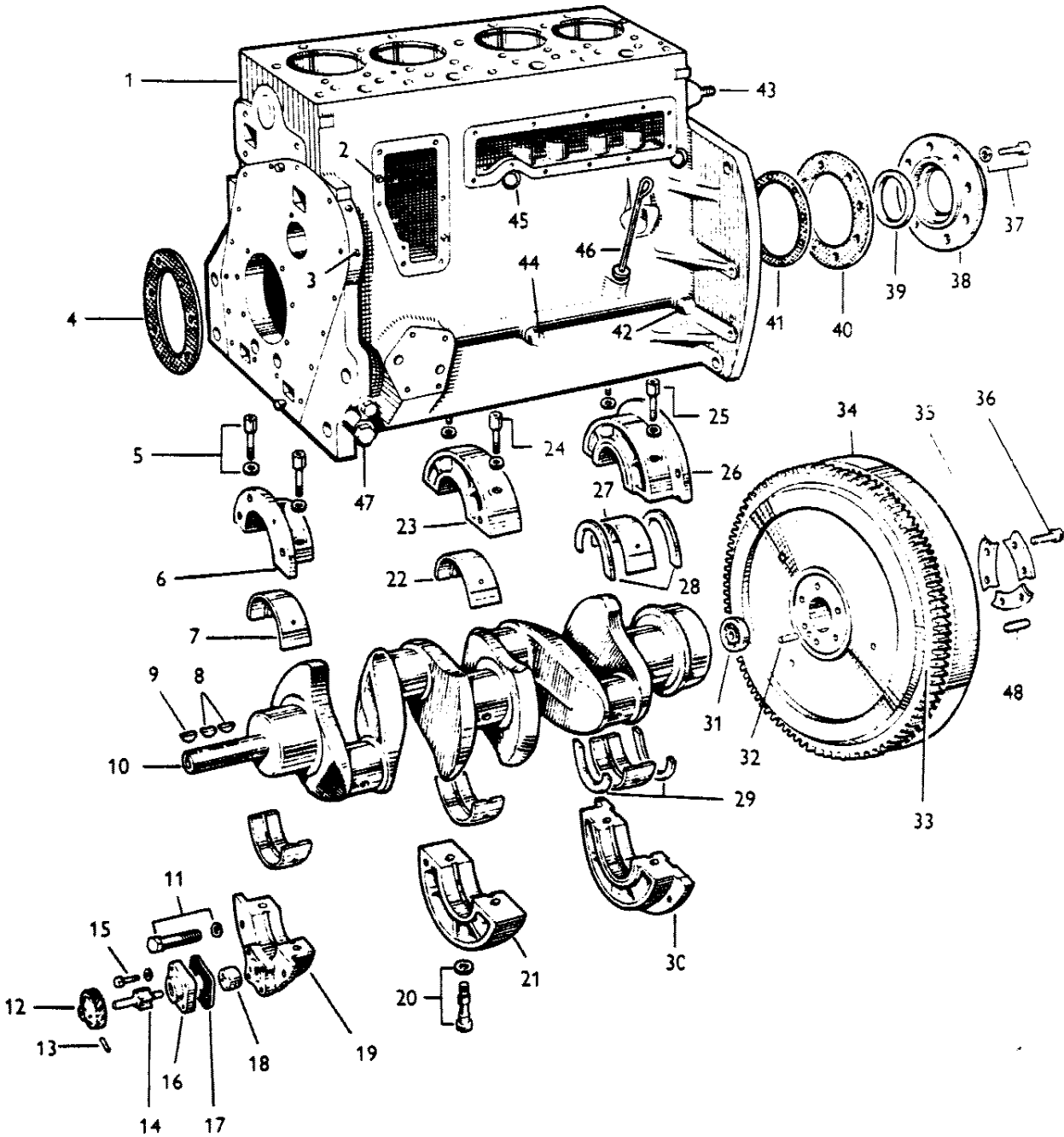
CPO, 4520





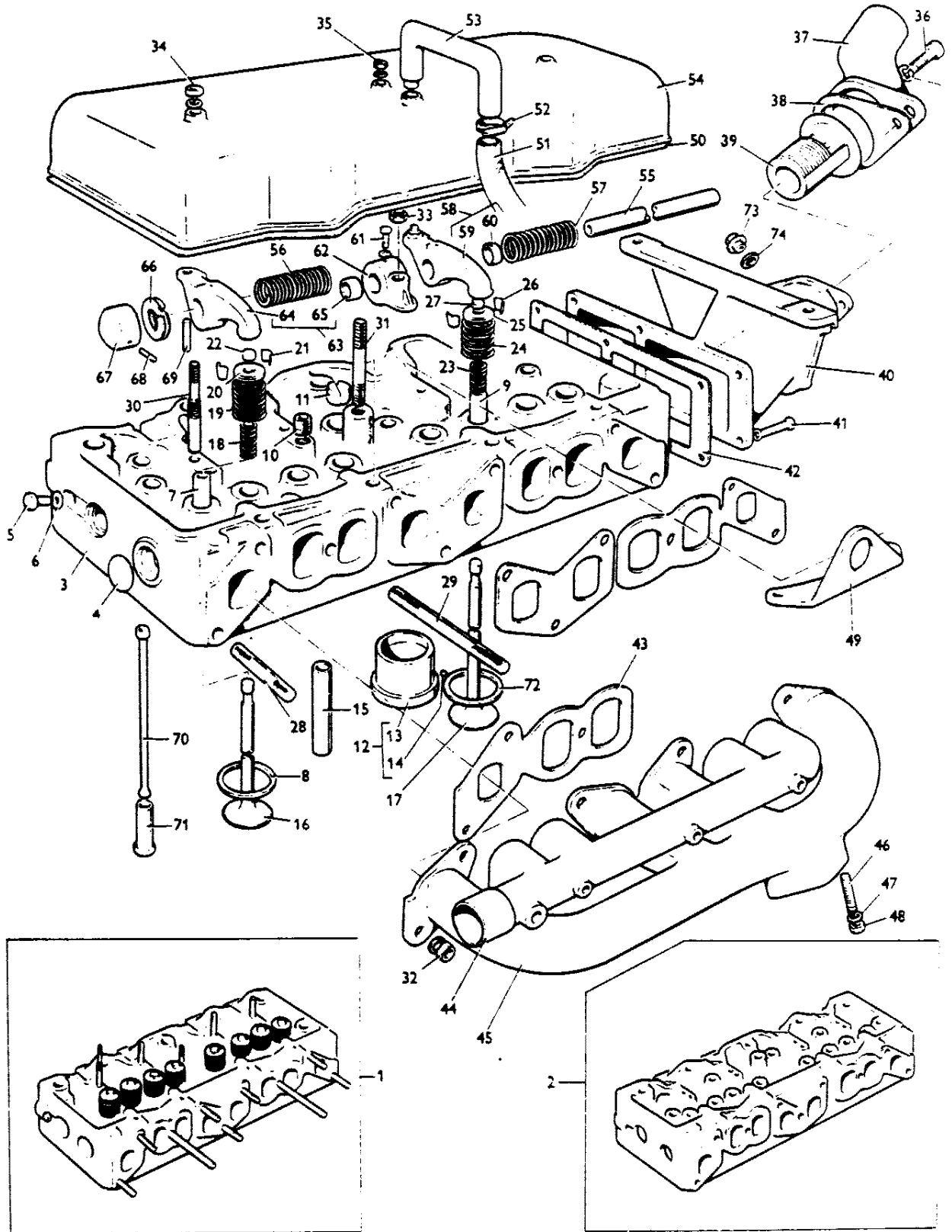
CYLINDER BLOCK, CRANKSHAFT AND FLYWHEEL  
25C DIESEL

CTP.65/1



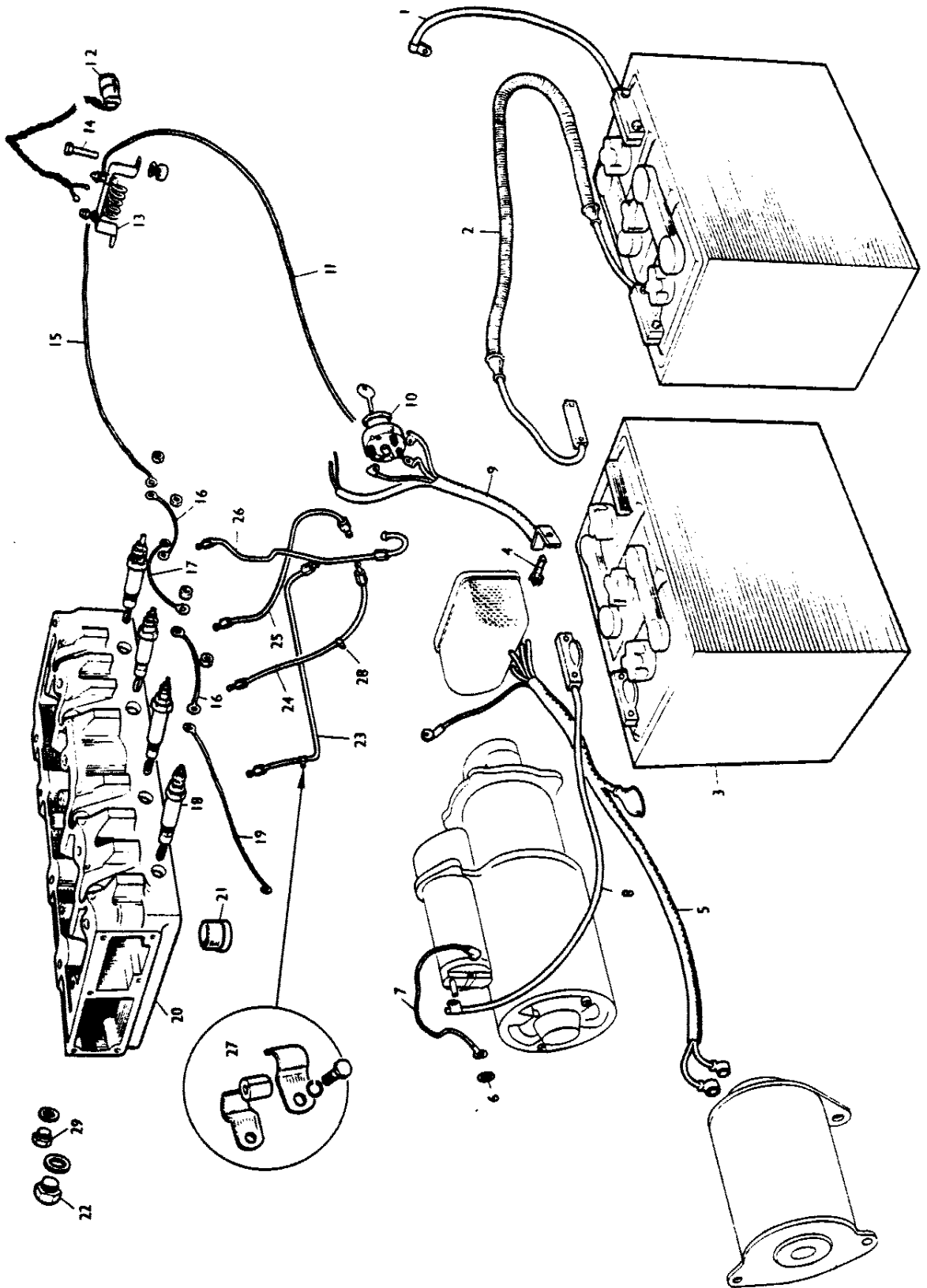
CYLINDER HEAD  
23C DIESEL - CONTINUED

CPO.2119/1



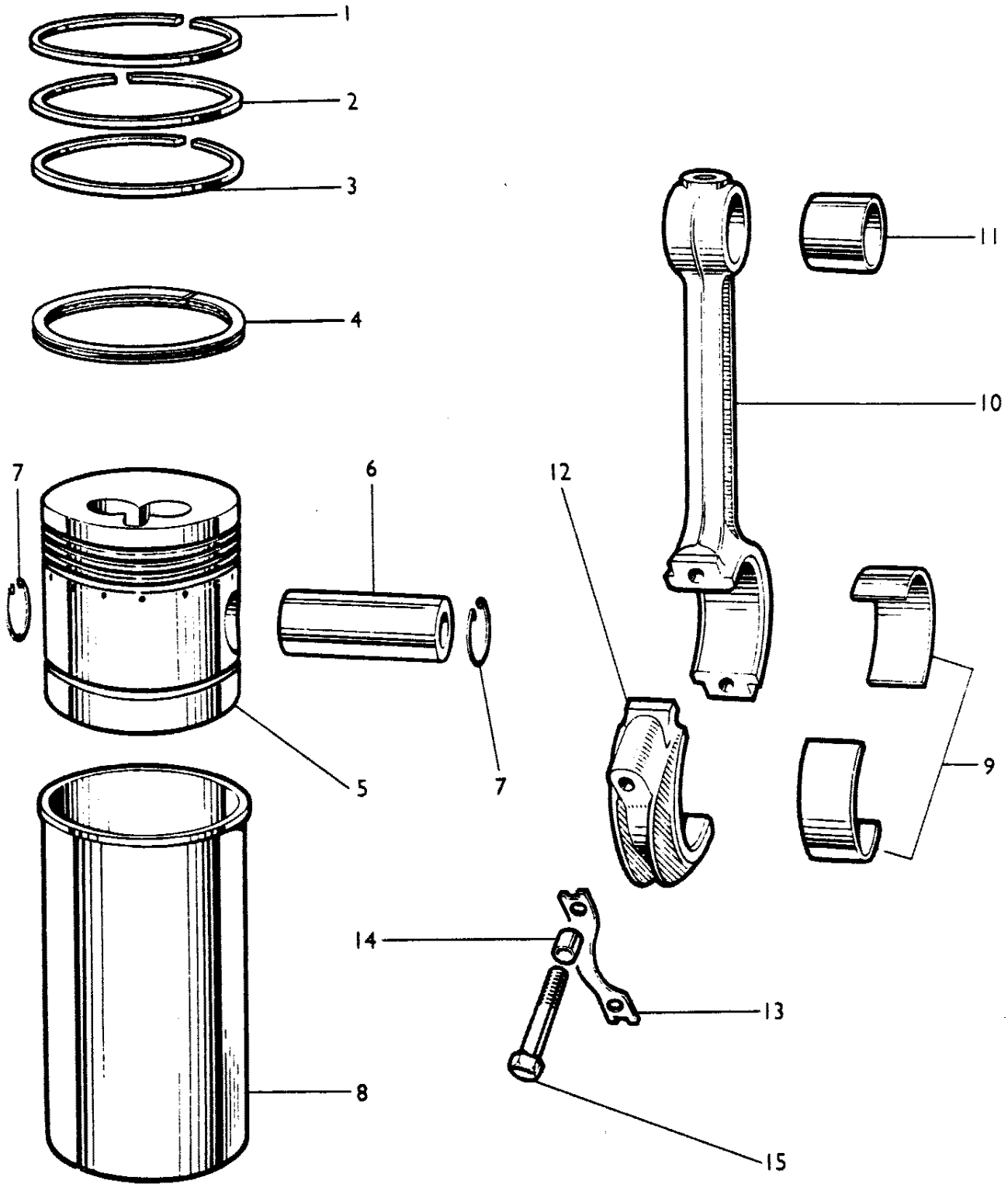
HEATER PLUGS  
23C ENGINE

CTP.69

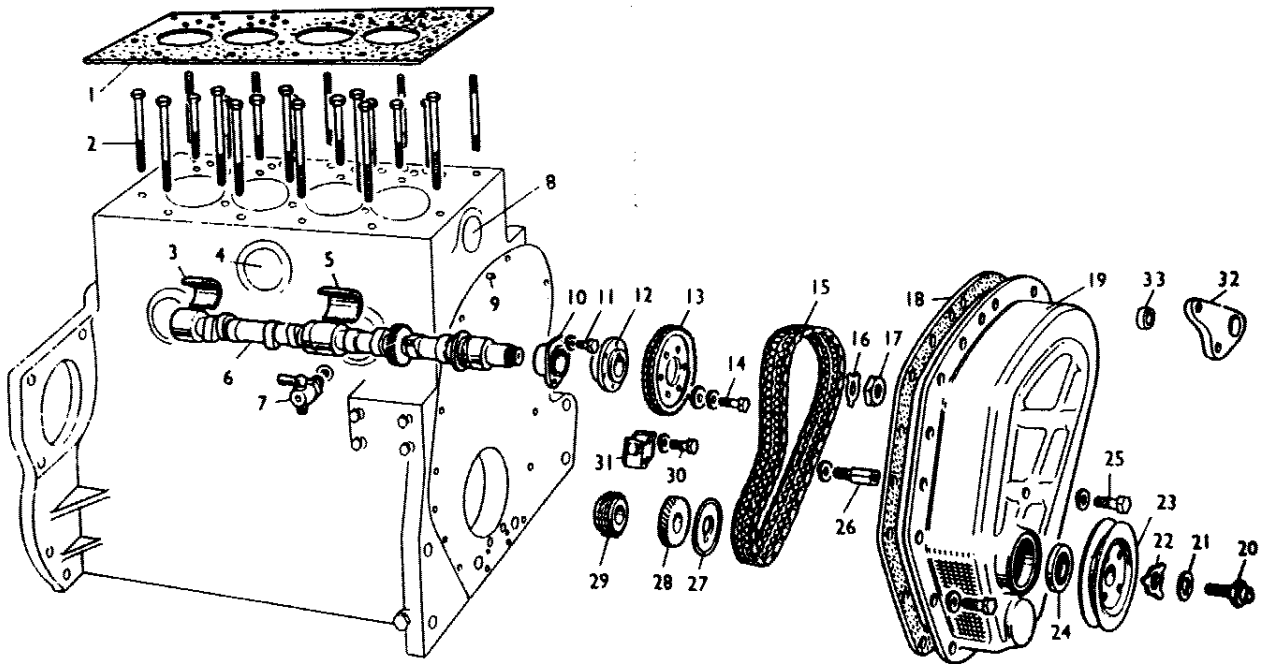


PISTON AND CONNECTING ROD  
23C DIESEL

CTP.65/1

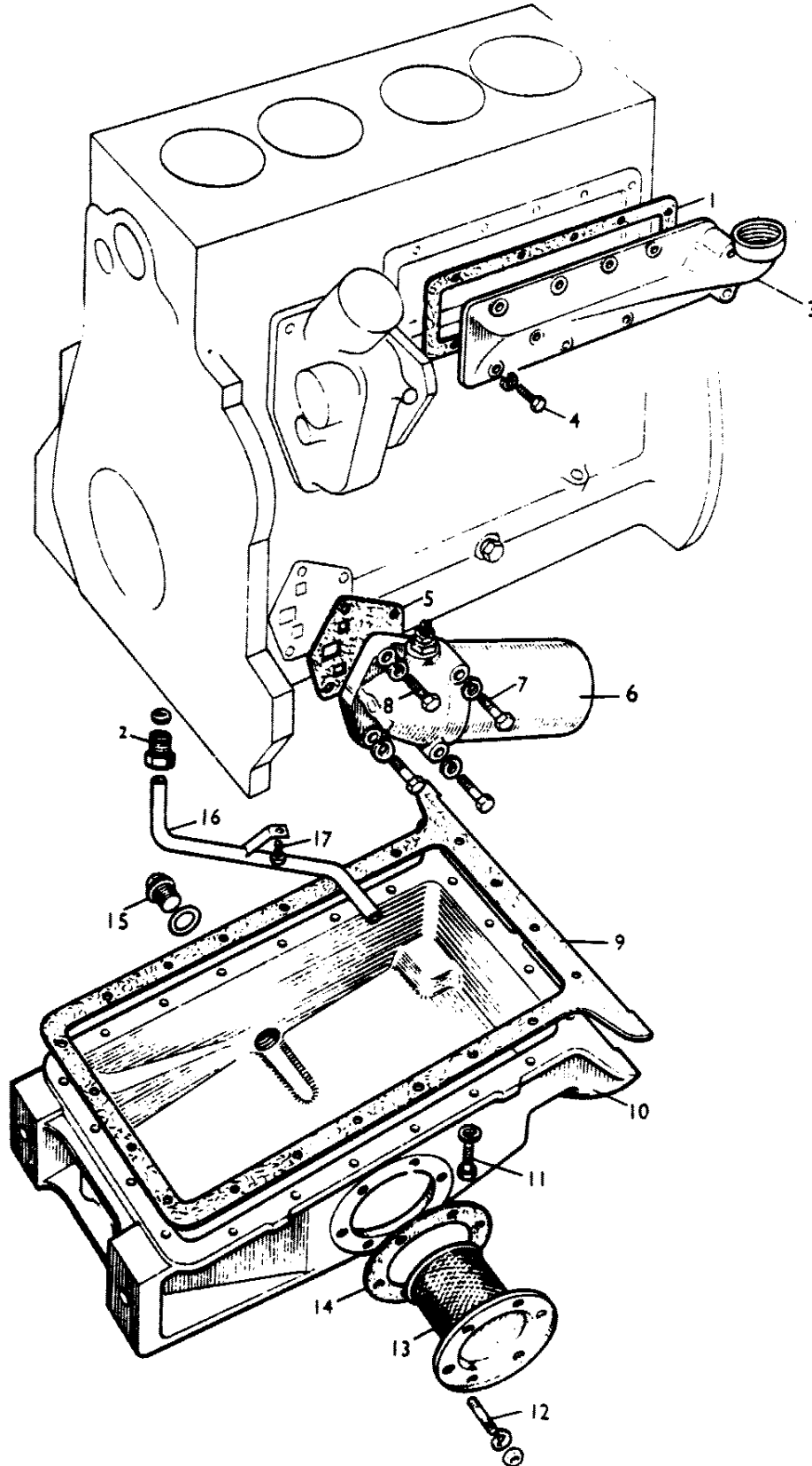


CAMSHAFT, TIMING GEAR AND COVER  
23C DIESEL

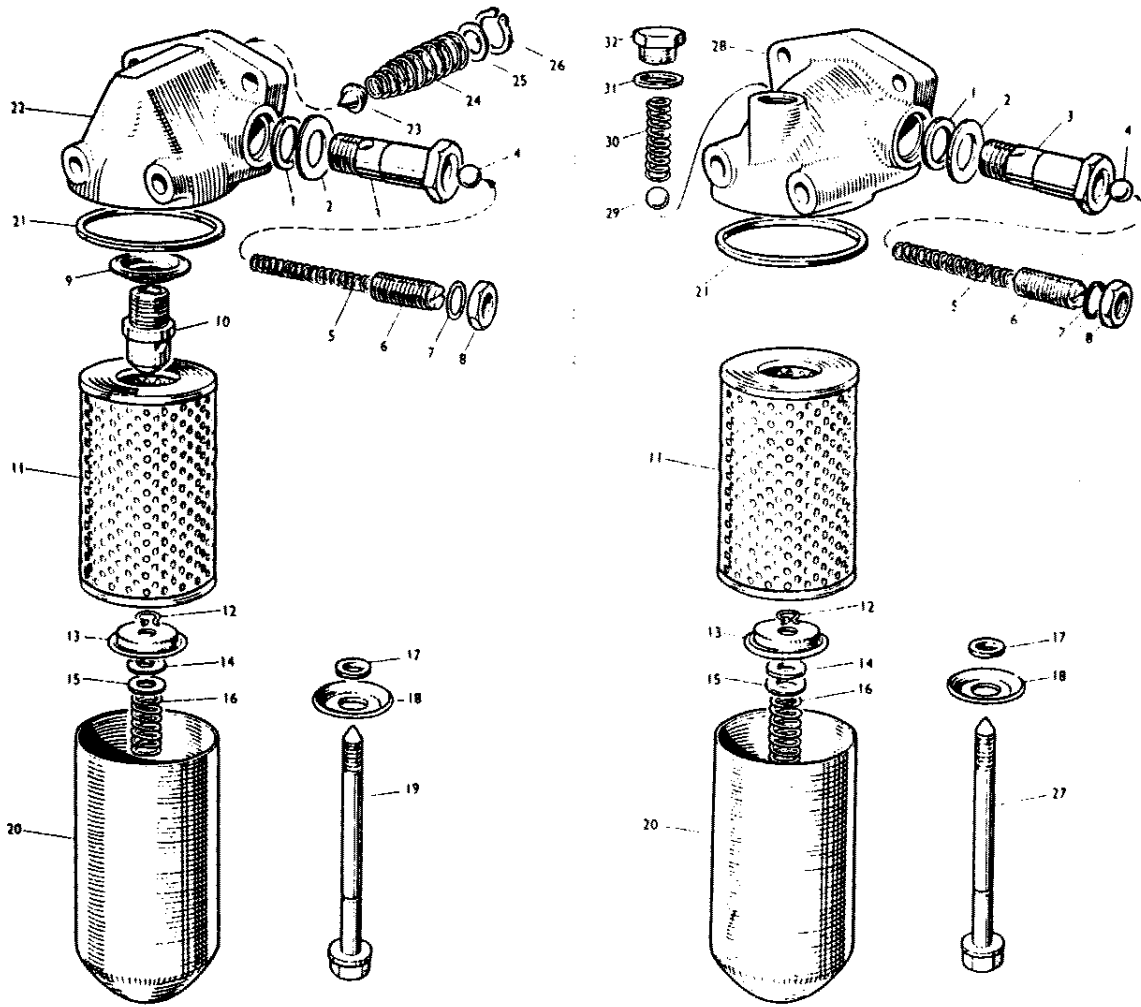


SUMP AND TAI PET COVER  
35C DIESEL

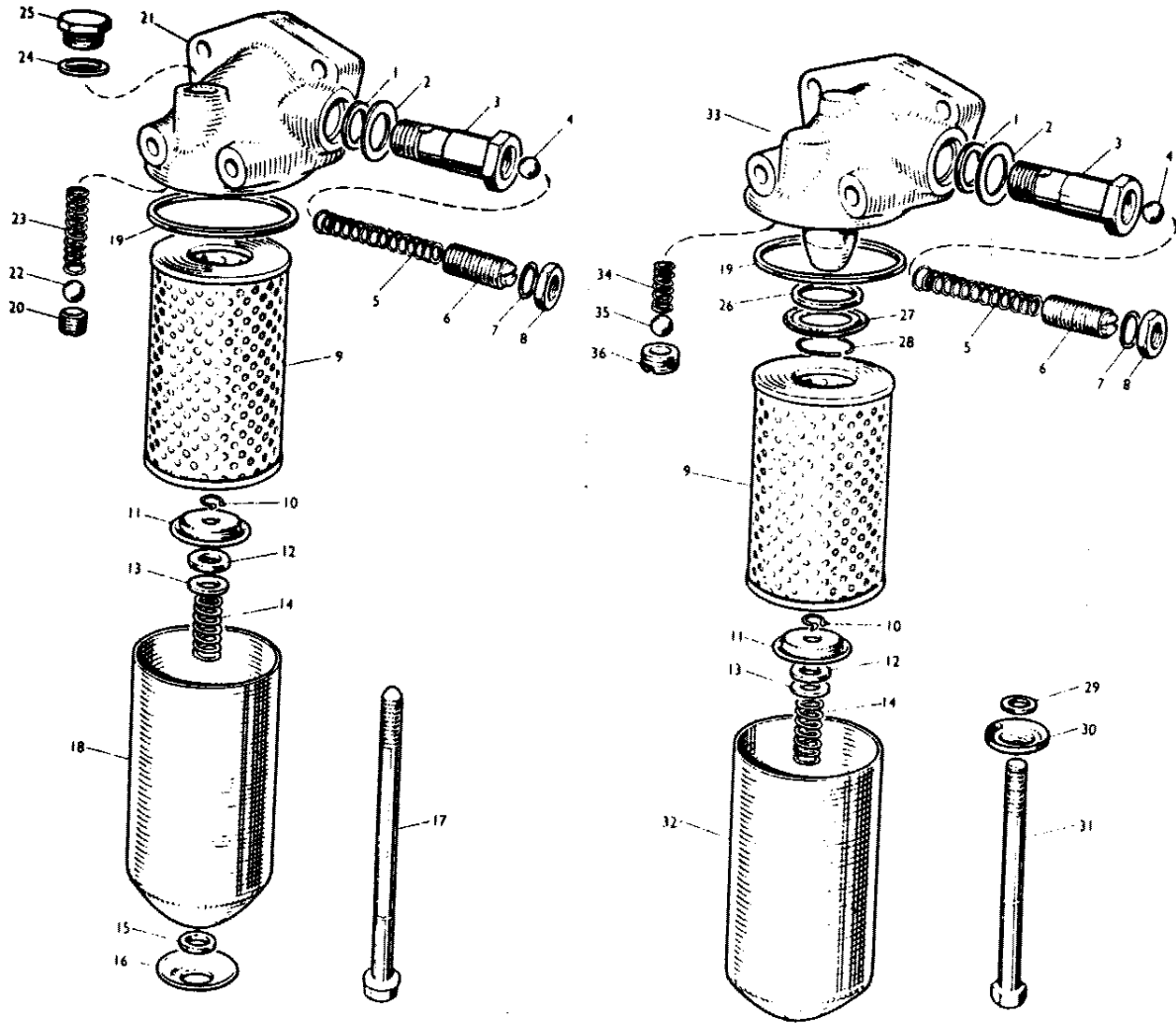
CIP.159



OIL FILTER (MICRONIC) - PURULATOR  
25C ENGINE - (EARLY MODELS)

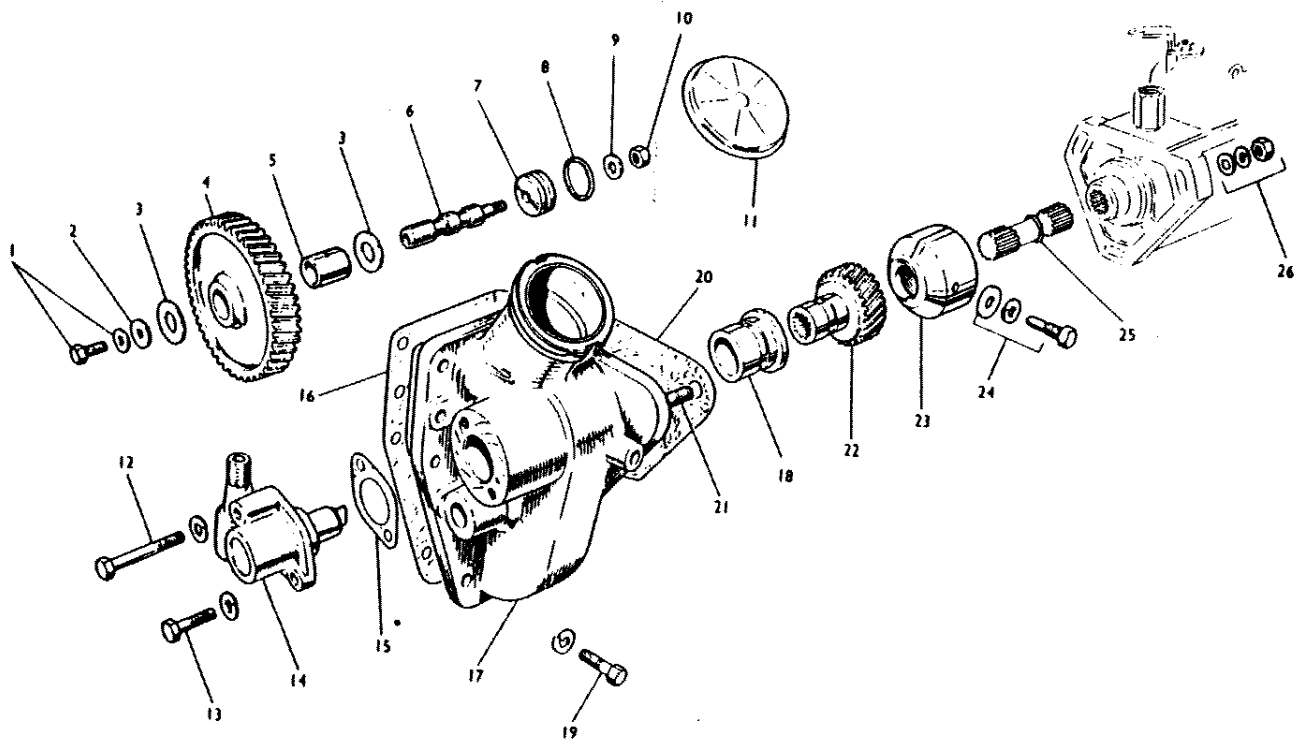


OIL FILTER (MICRONIC) - PURATOR  
-50 ENGINE - (LATER MODELS)

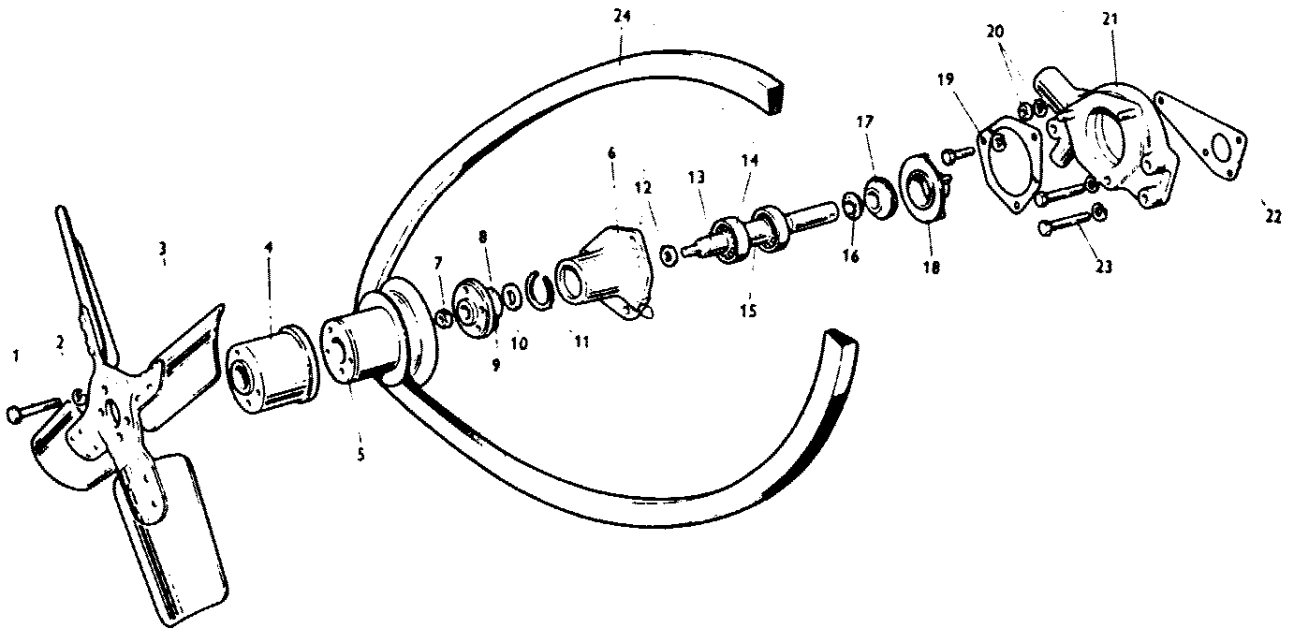




INJECTION PUMP DRIVE  
23C DIESEL

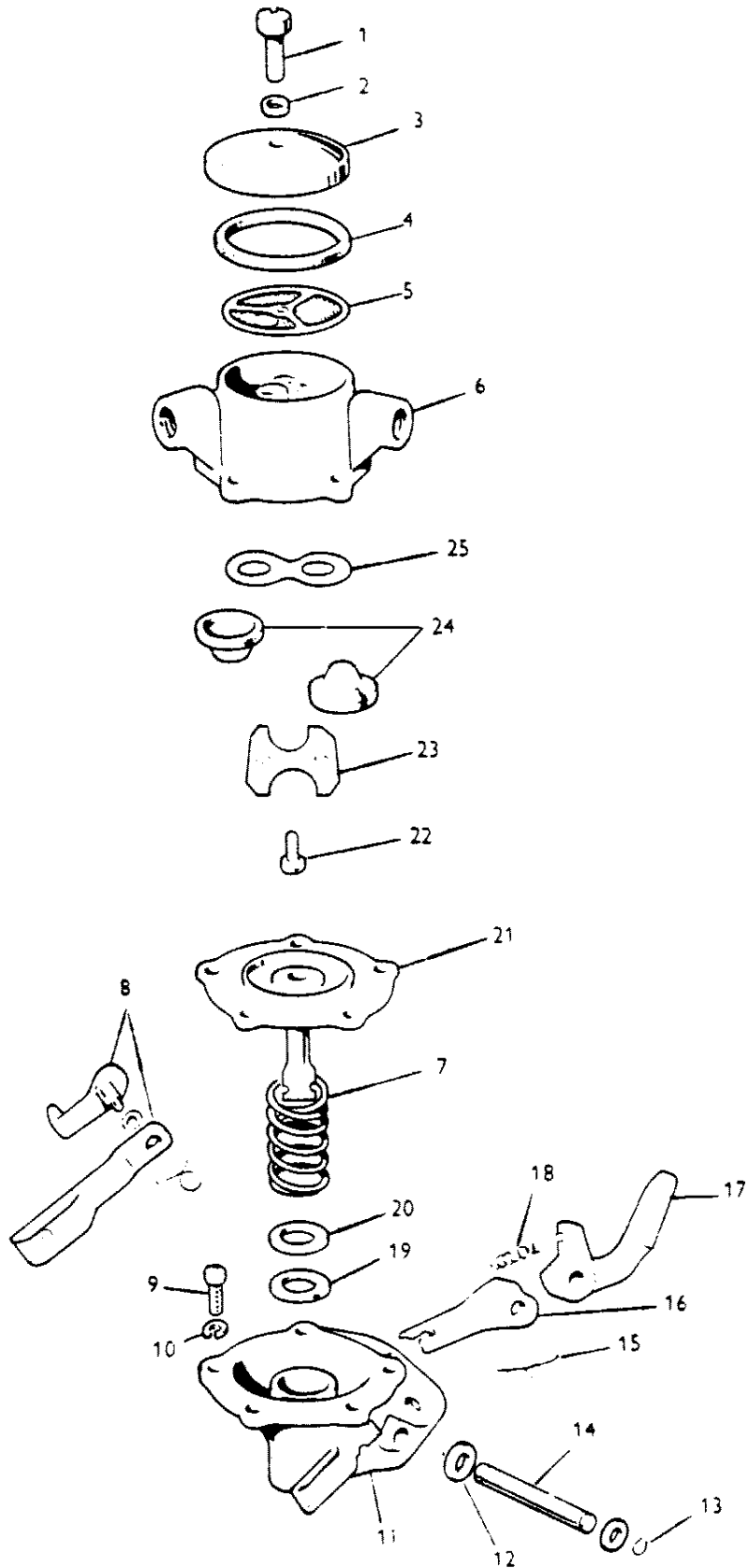


WATER PUMP AND FAN  
23C DIESEL



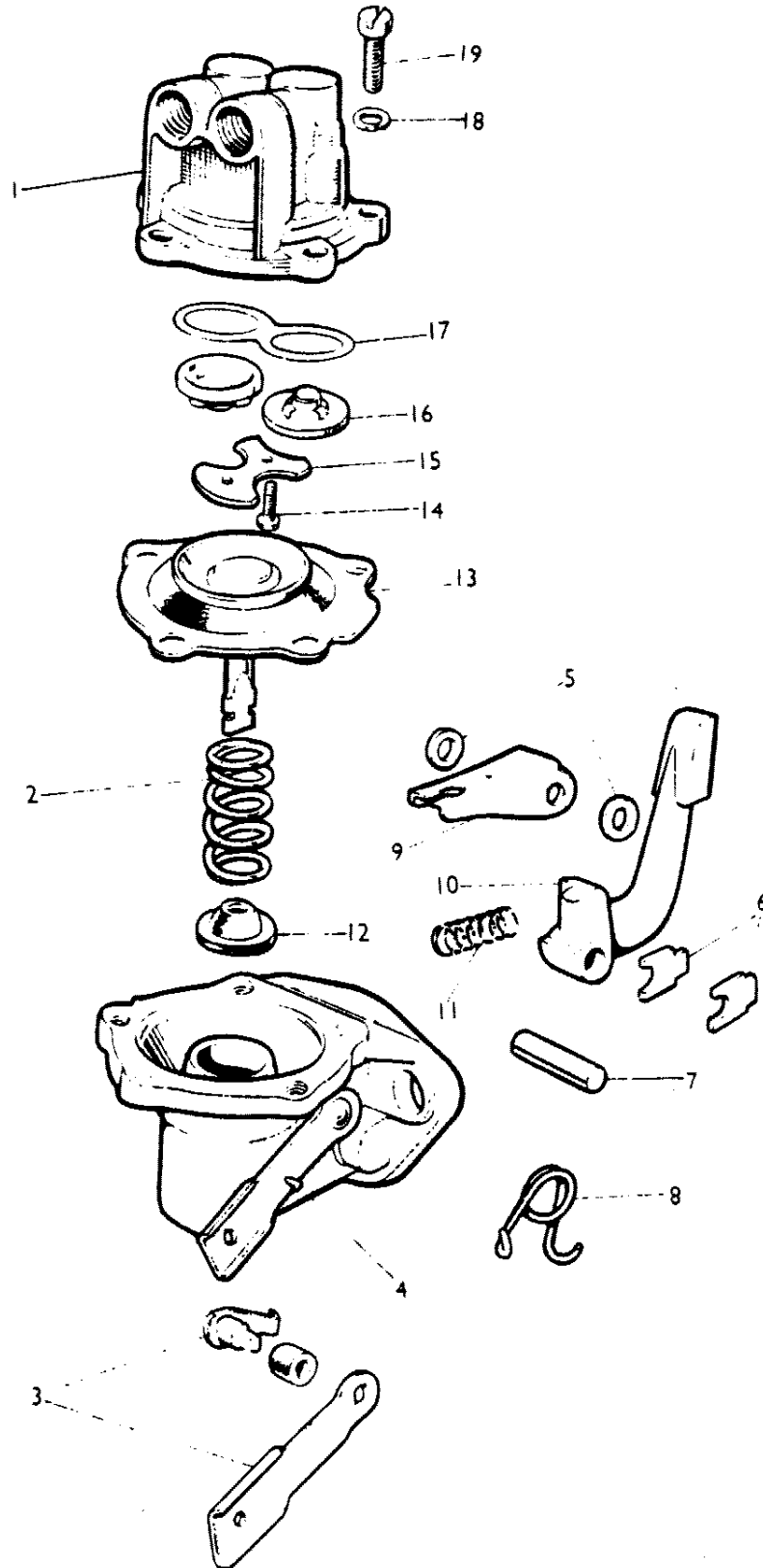
FUEL FEED PUMP  
23C ENGINE - (UP TO ENGINE NO. SJ37180E)

CTP.77

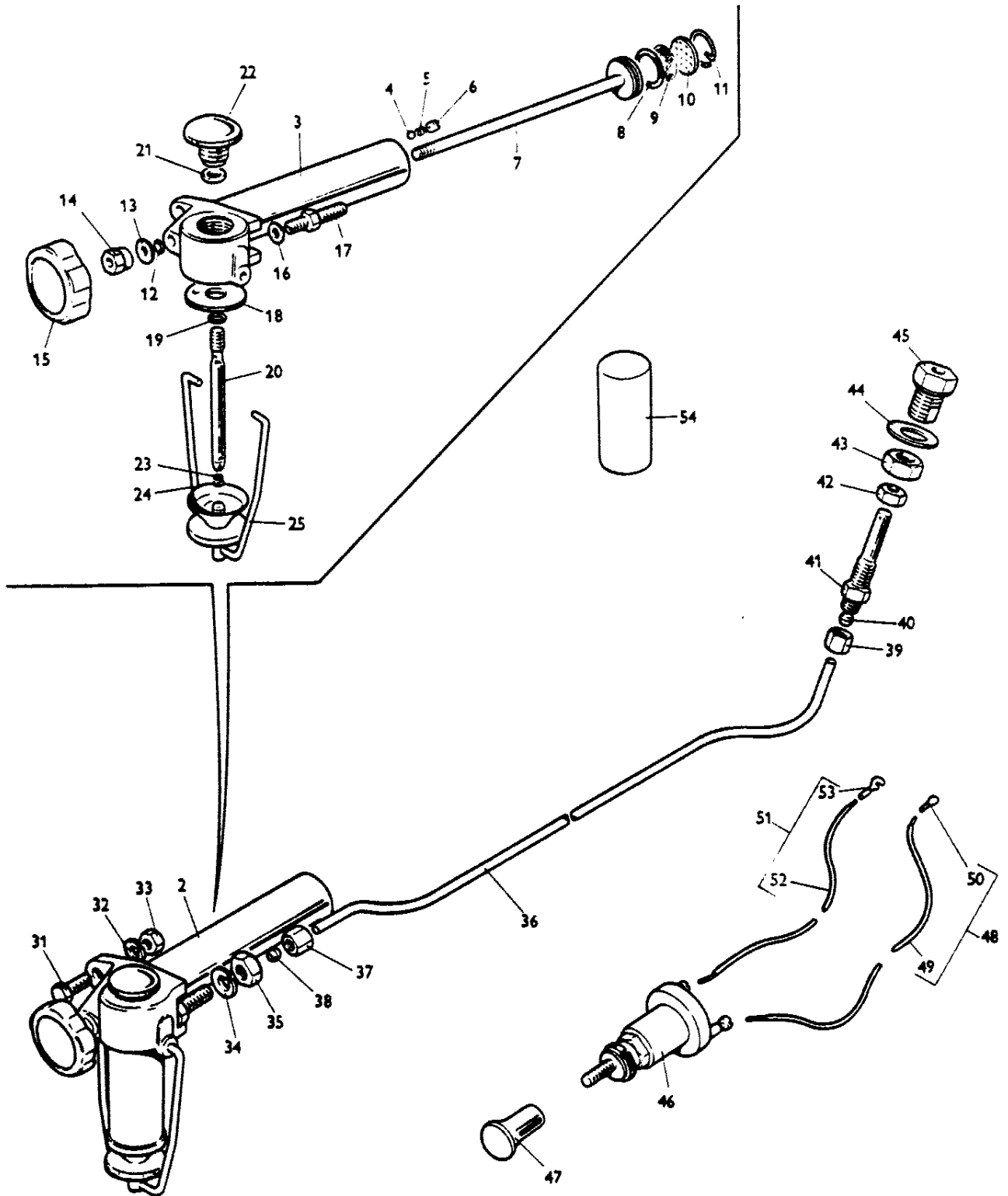


FUEL FEED PUMP  
23C ENGINE - (FROM ENGINE NO. SJ.37181E)

CTP.78

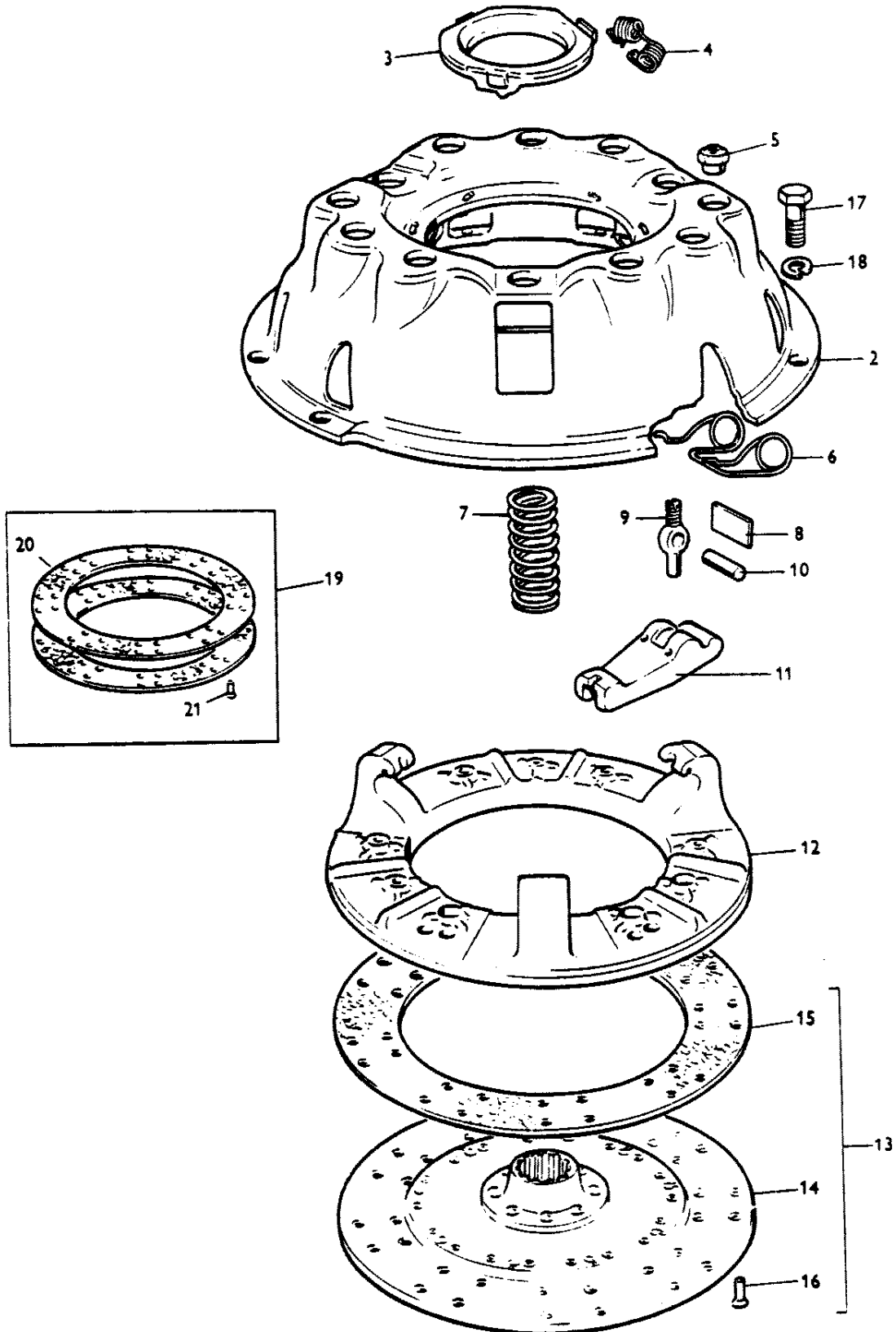


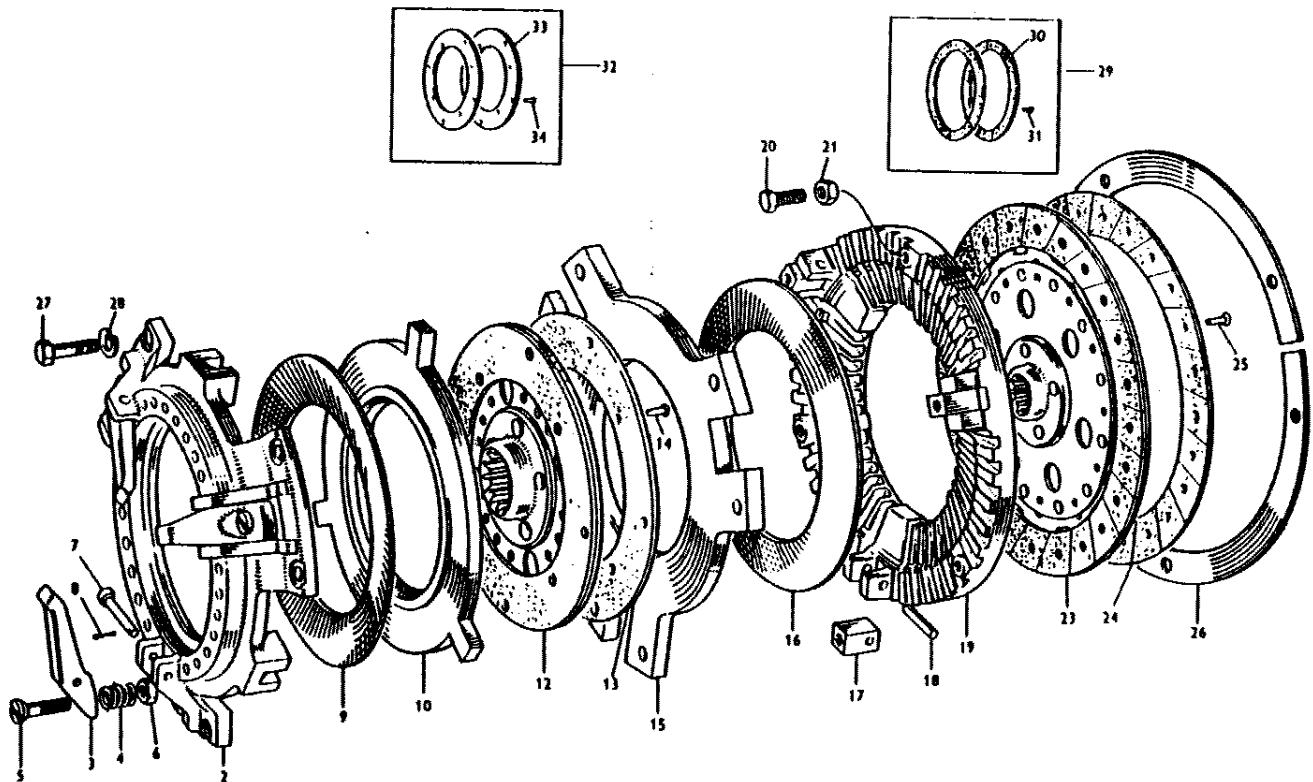
CPO.4335



SINGLE CLUTCH - 23C ENGINE AND 87MM ENGINES

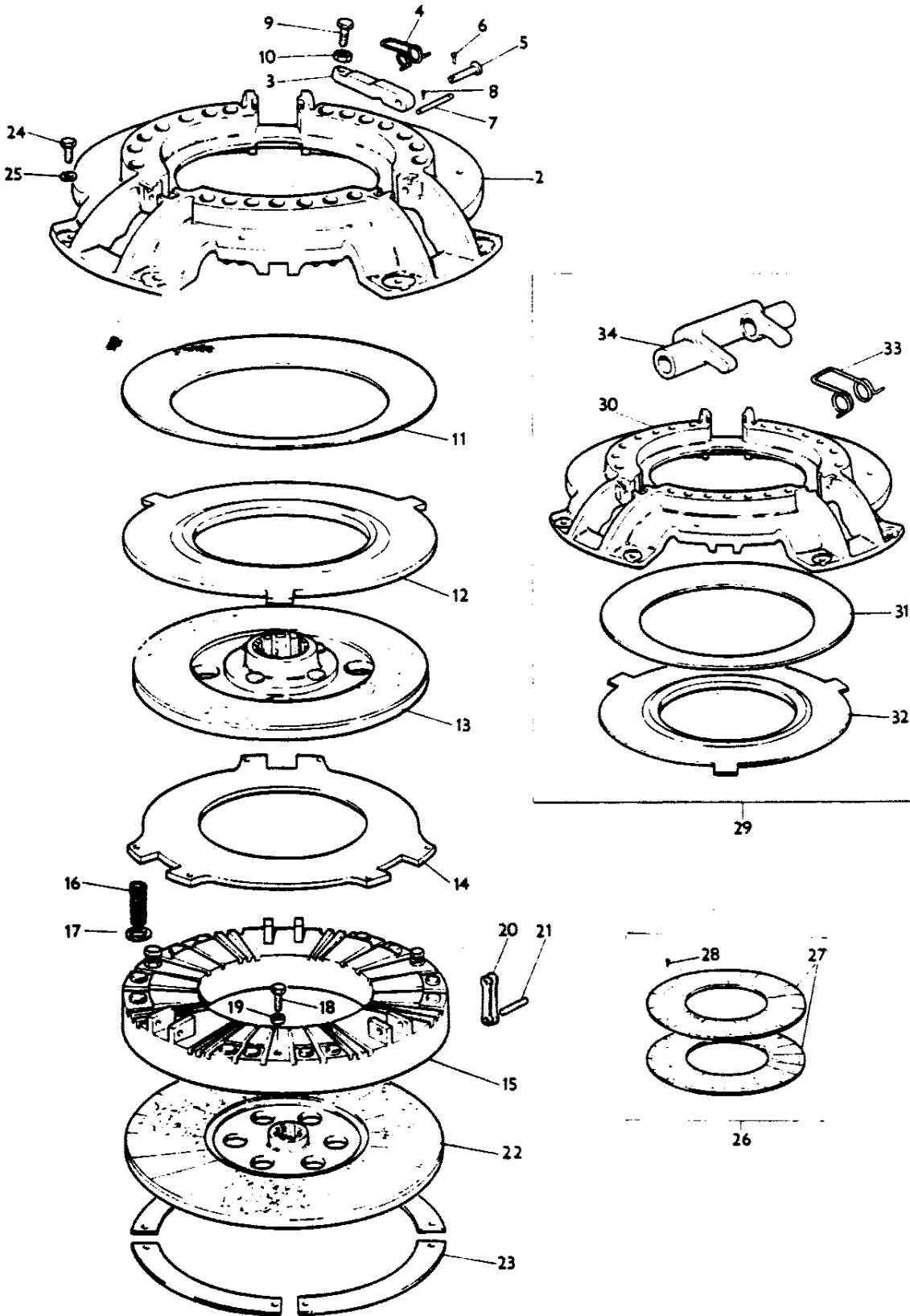
CFO.4296





CTP 45/1

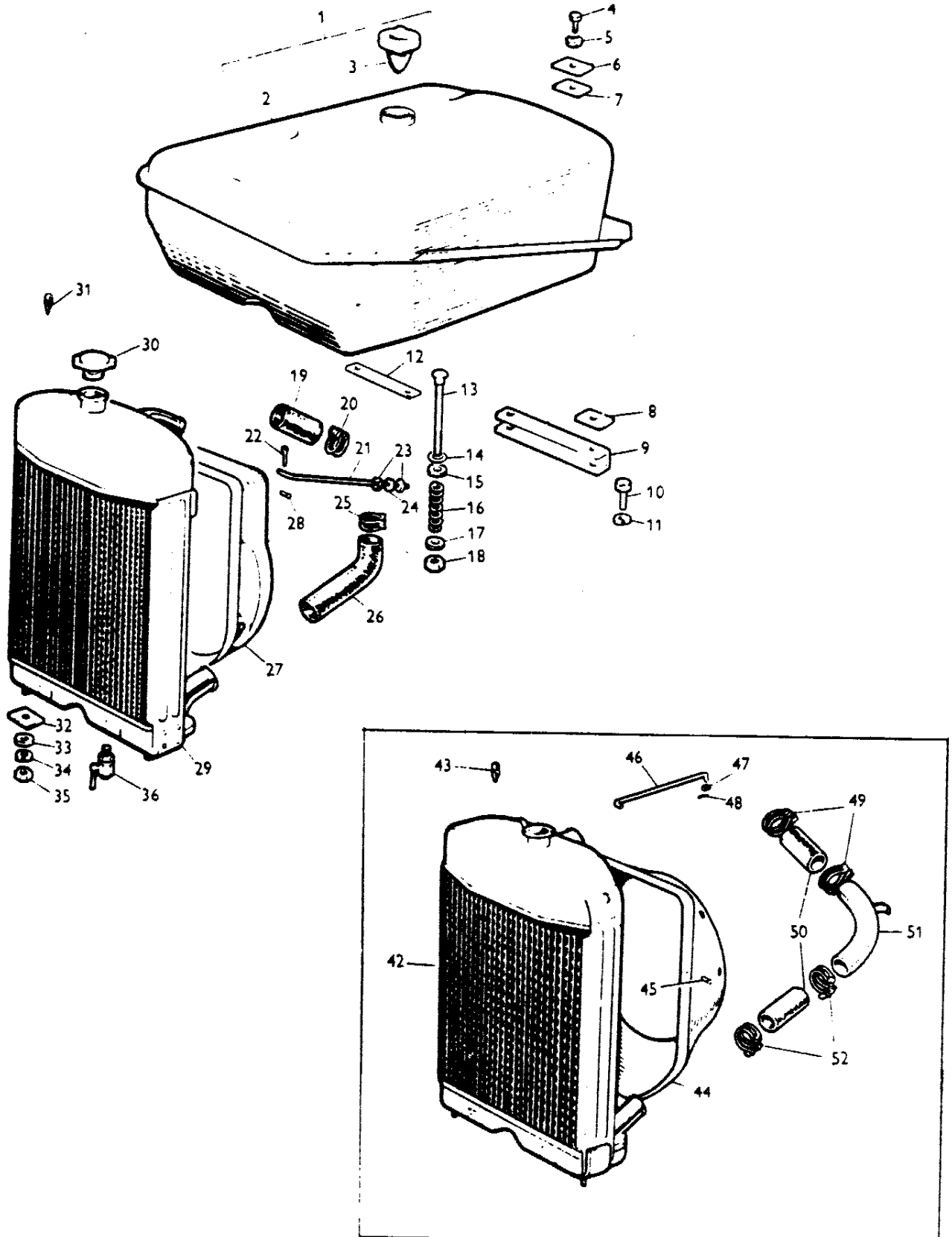
CTP.96/2





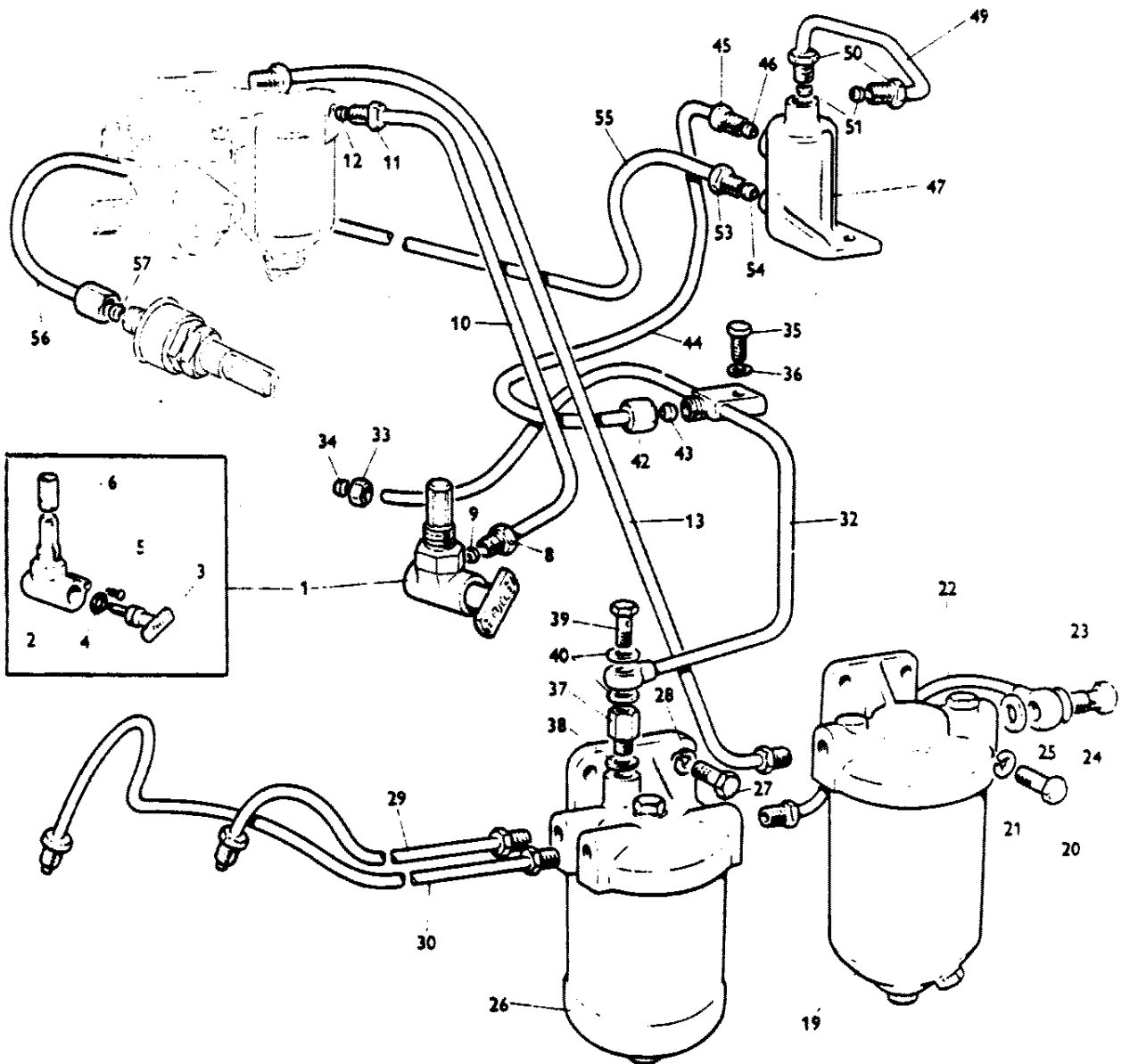
RADIATOR AND FUEL TANK

CTP.43/1



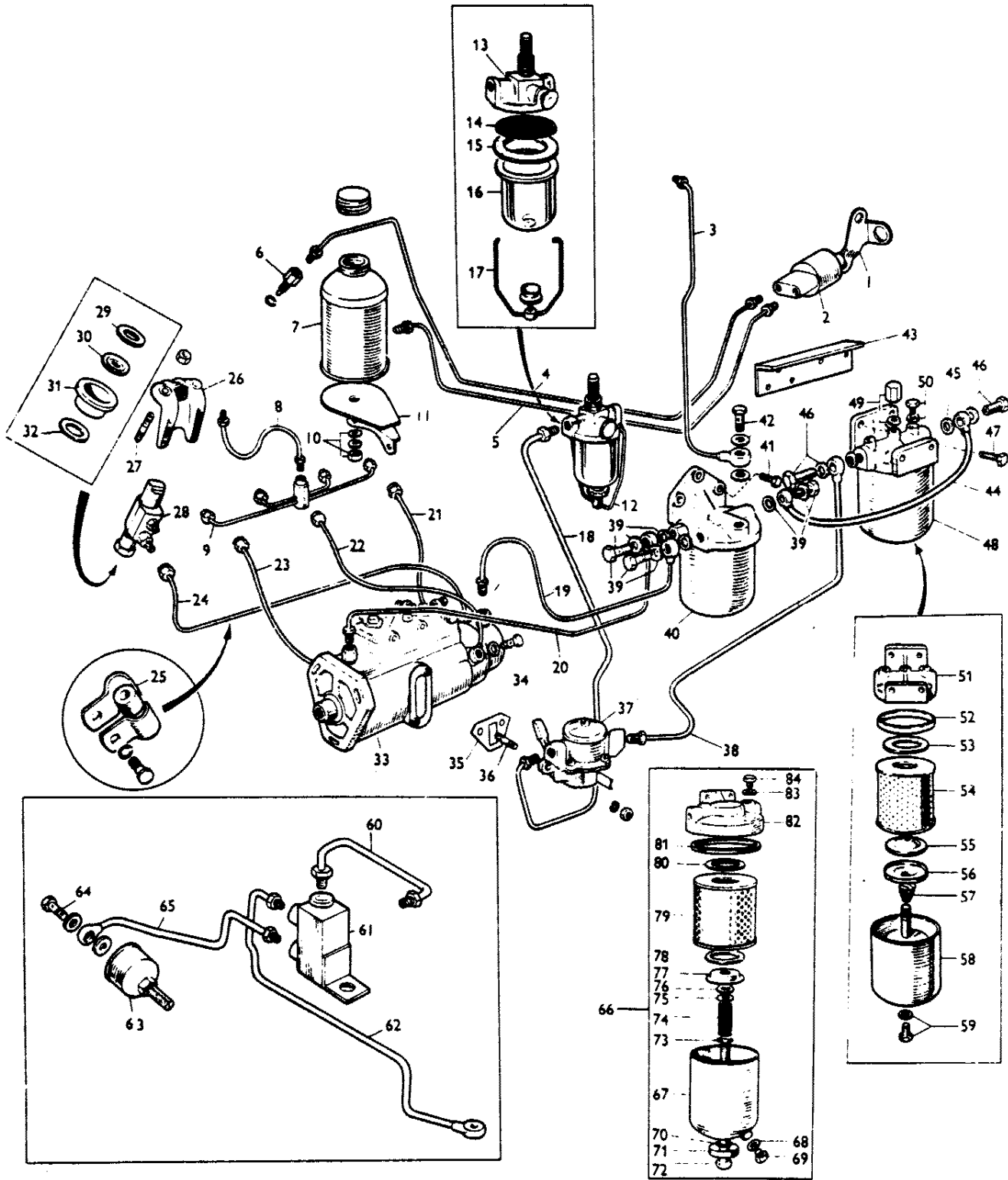
FUELLINES  
A3.152 DIESEL

CPO.0519



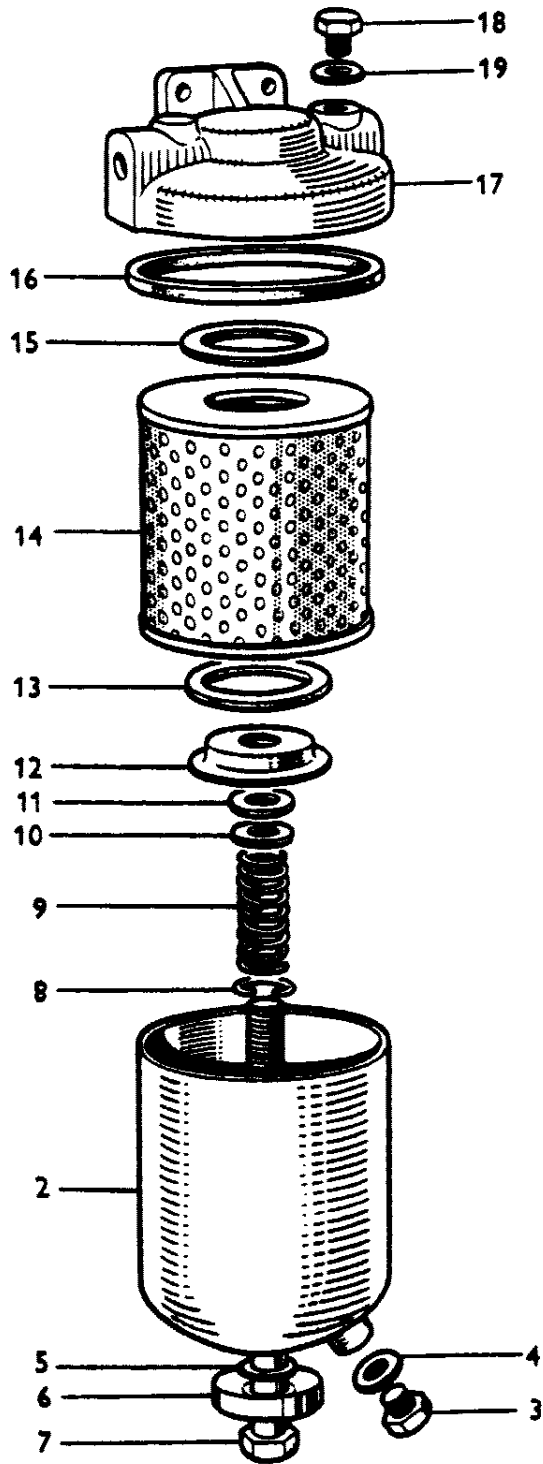
FUEL LINES AND HEATER EQUIPMENT  
23C DIESEL

CTP.67/1



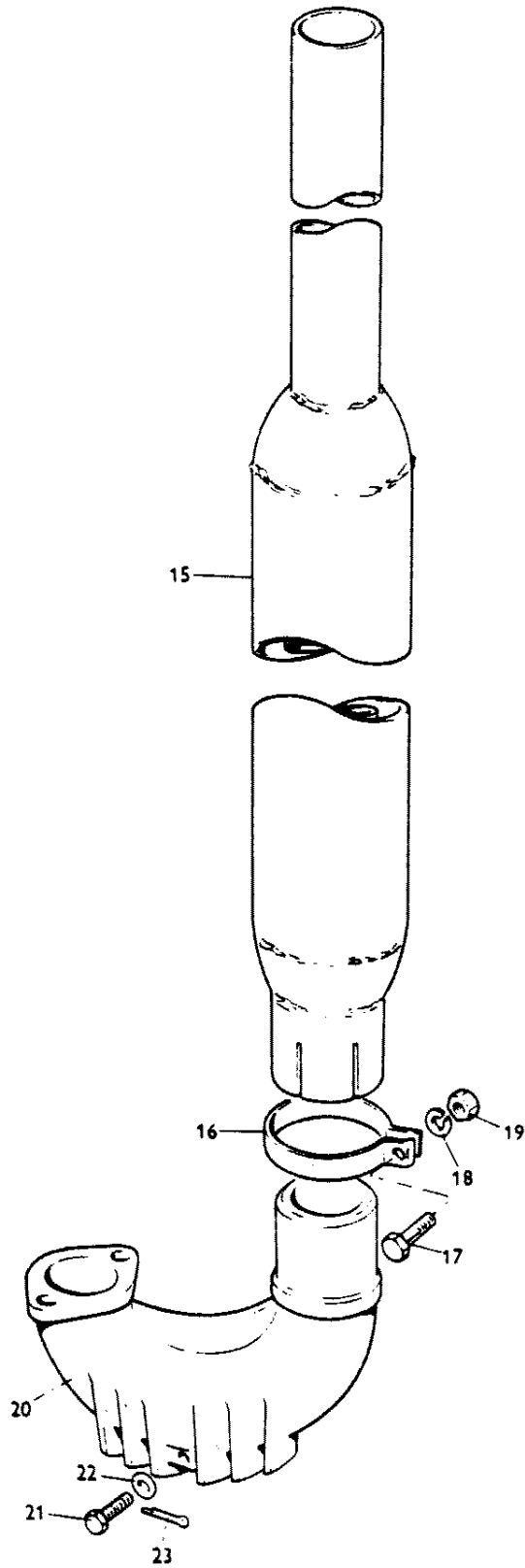
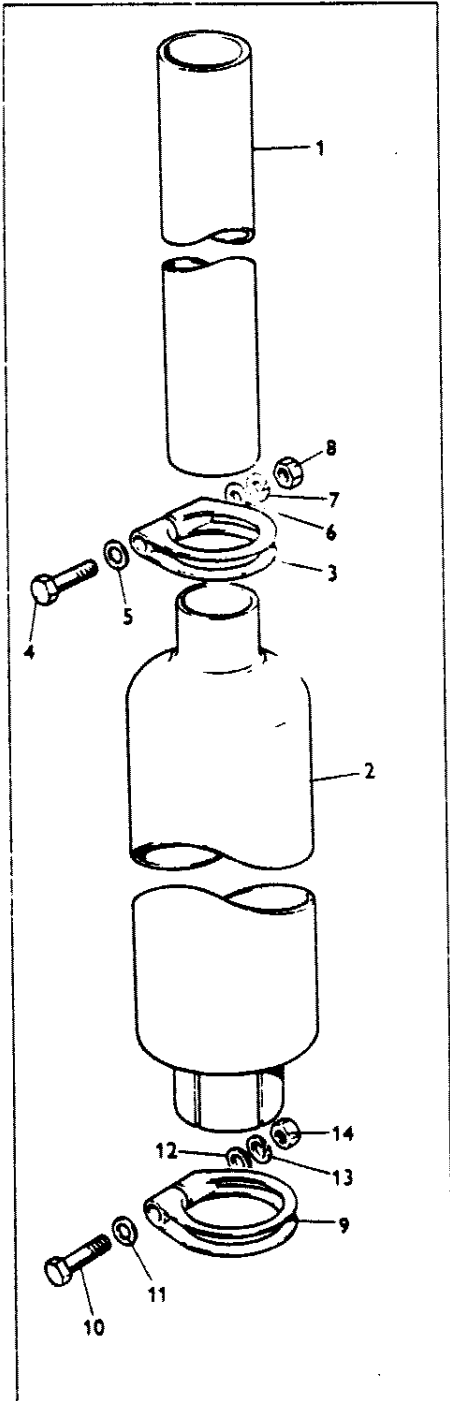
PRIMARY FUEL OIL FILTER  
A3.152 DIESEL

CTP.92/2



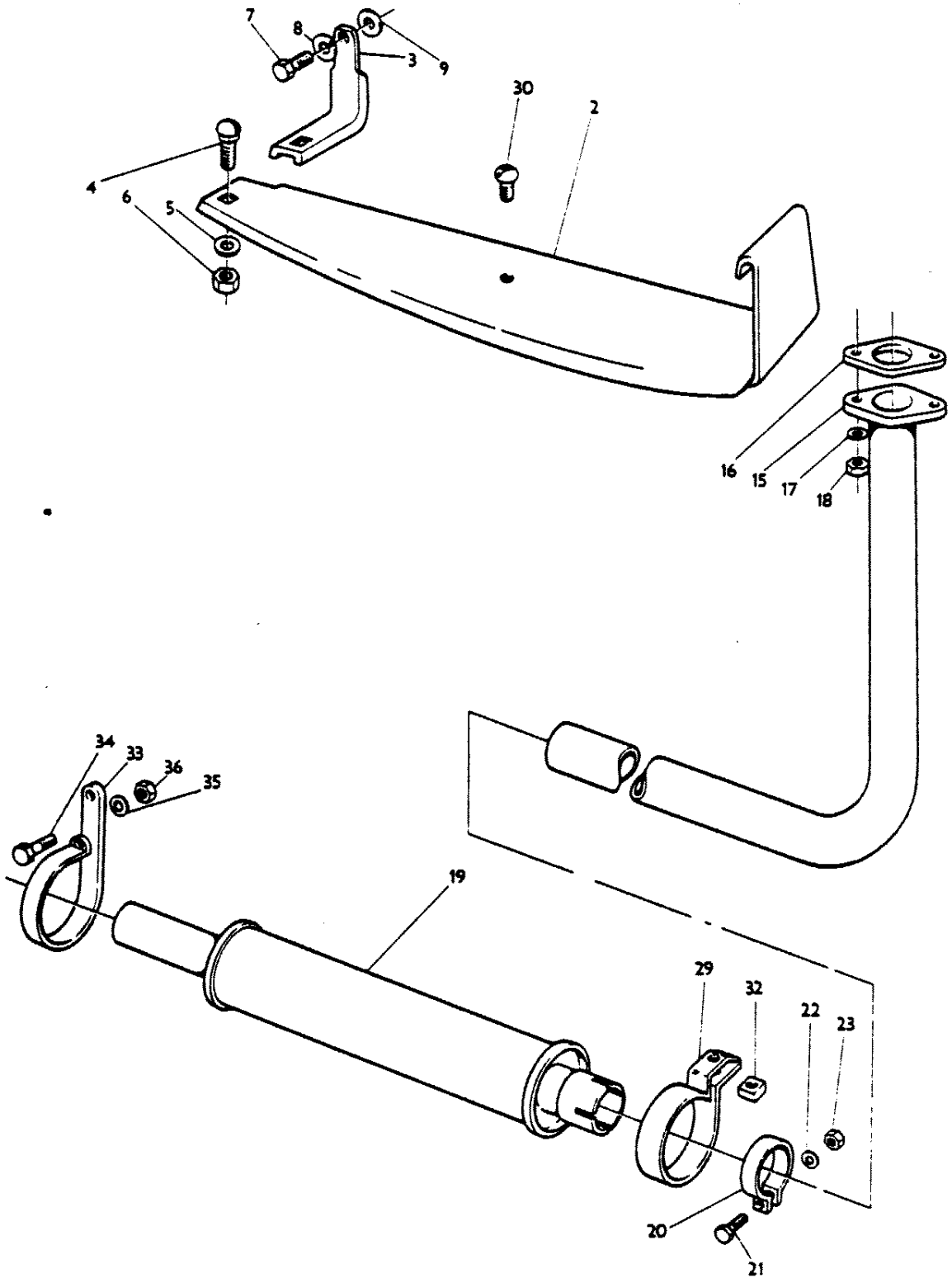
VERTICAL EXHAUST

CPO.4316

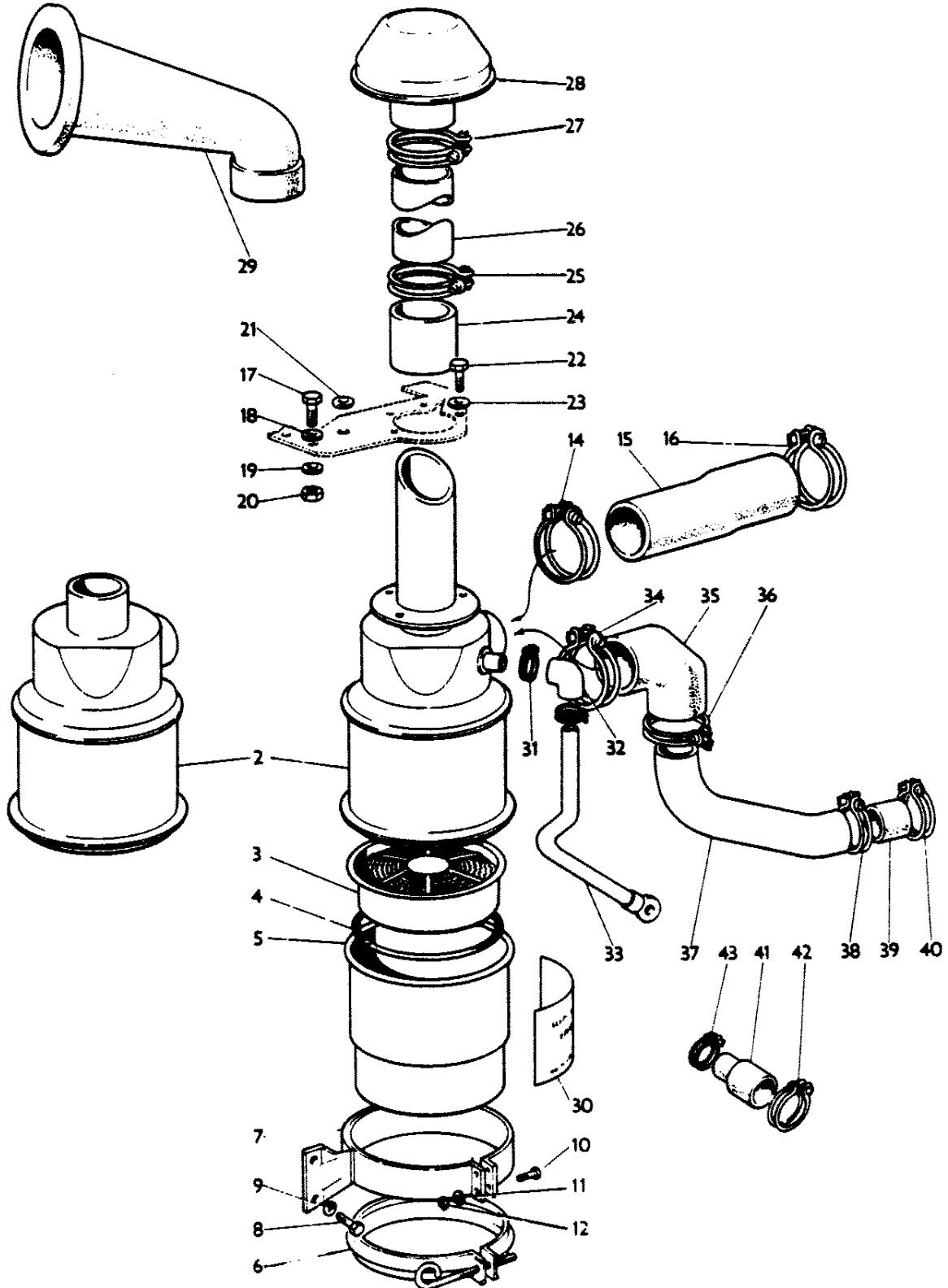


HORIZONTAL EXHAUST AND STEP

CPO. 4790

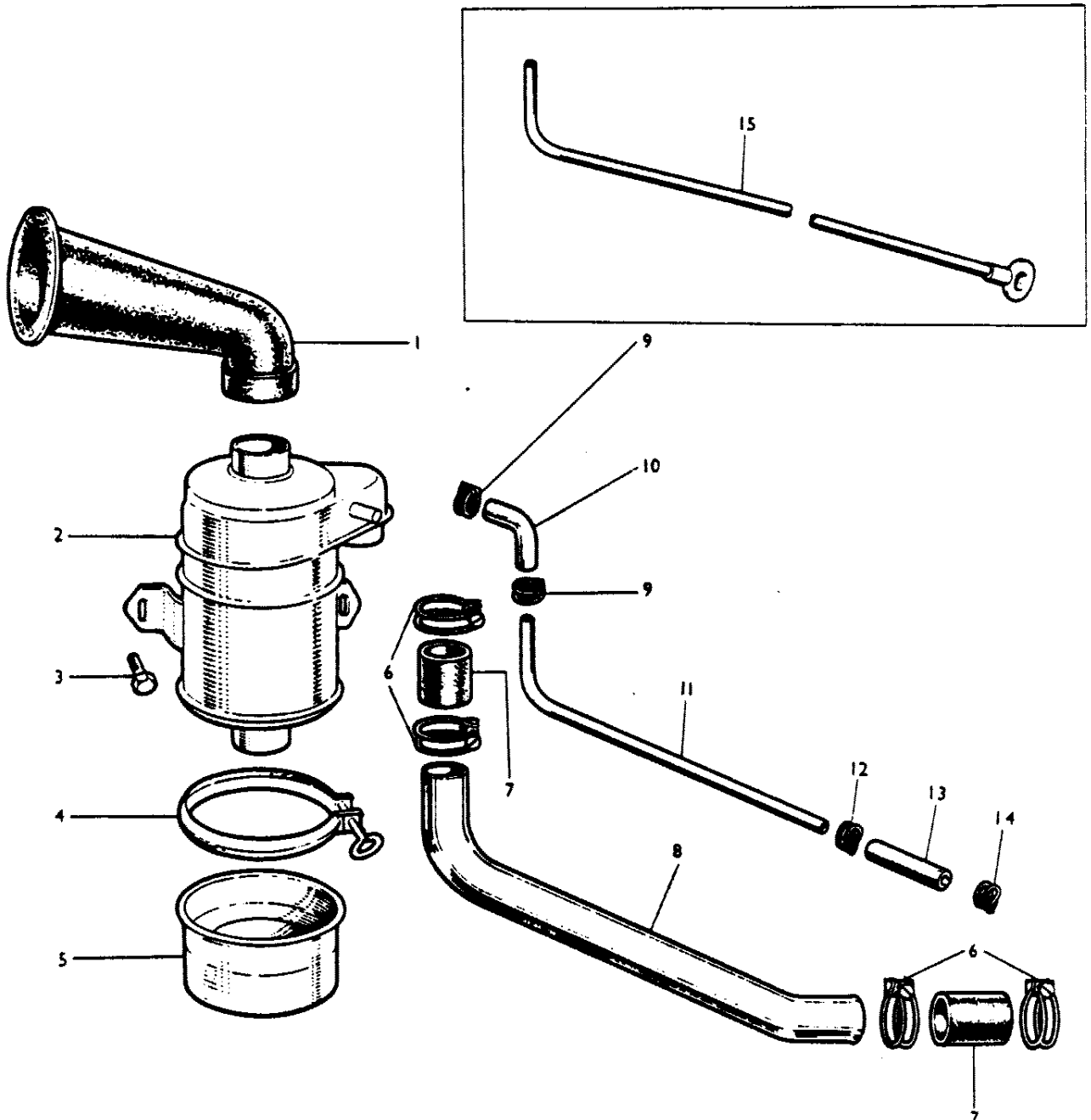


CPO. 4789



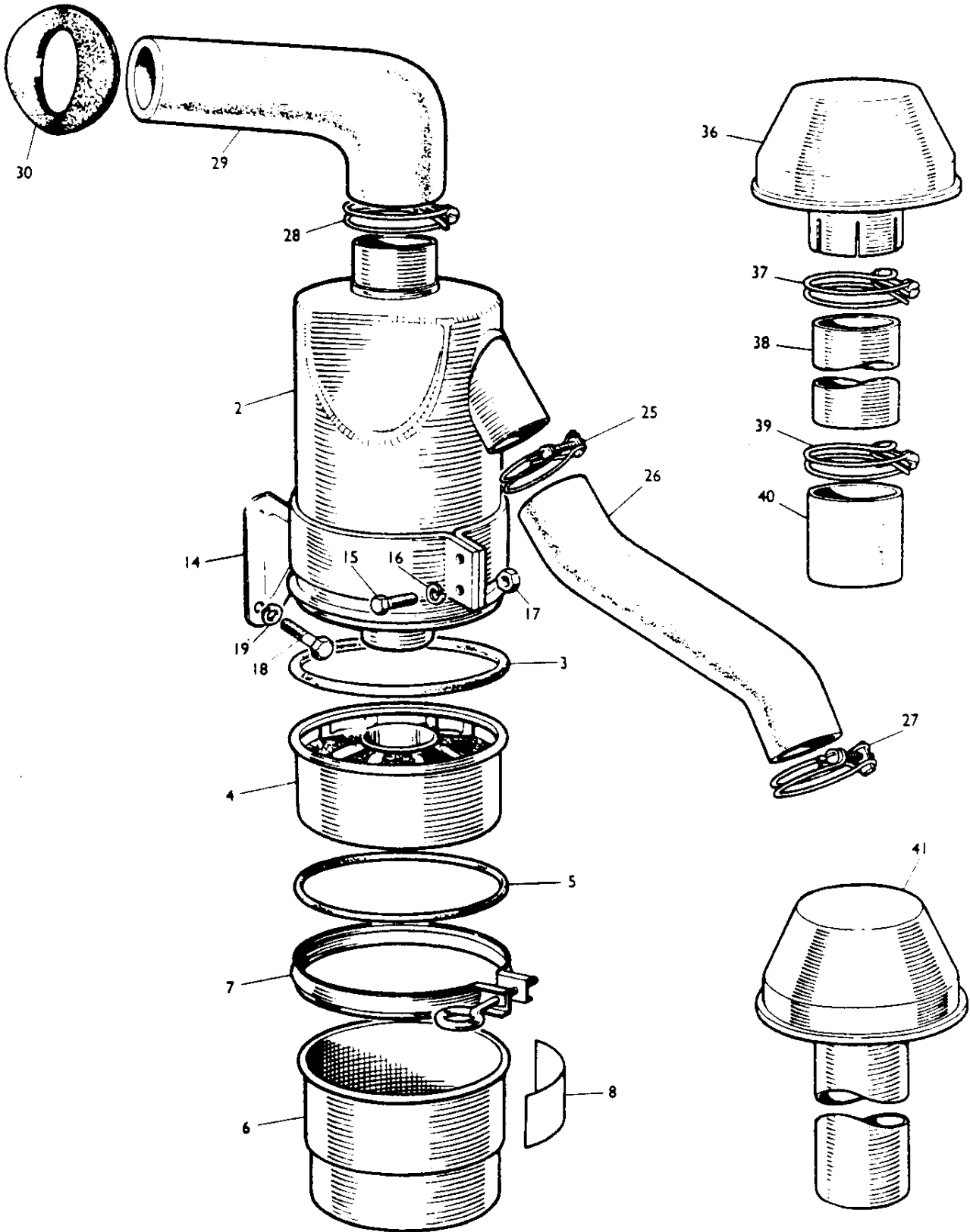
AIR CLEANER - HORIZONTAL  
87 M/M ENGINES

CTP.57

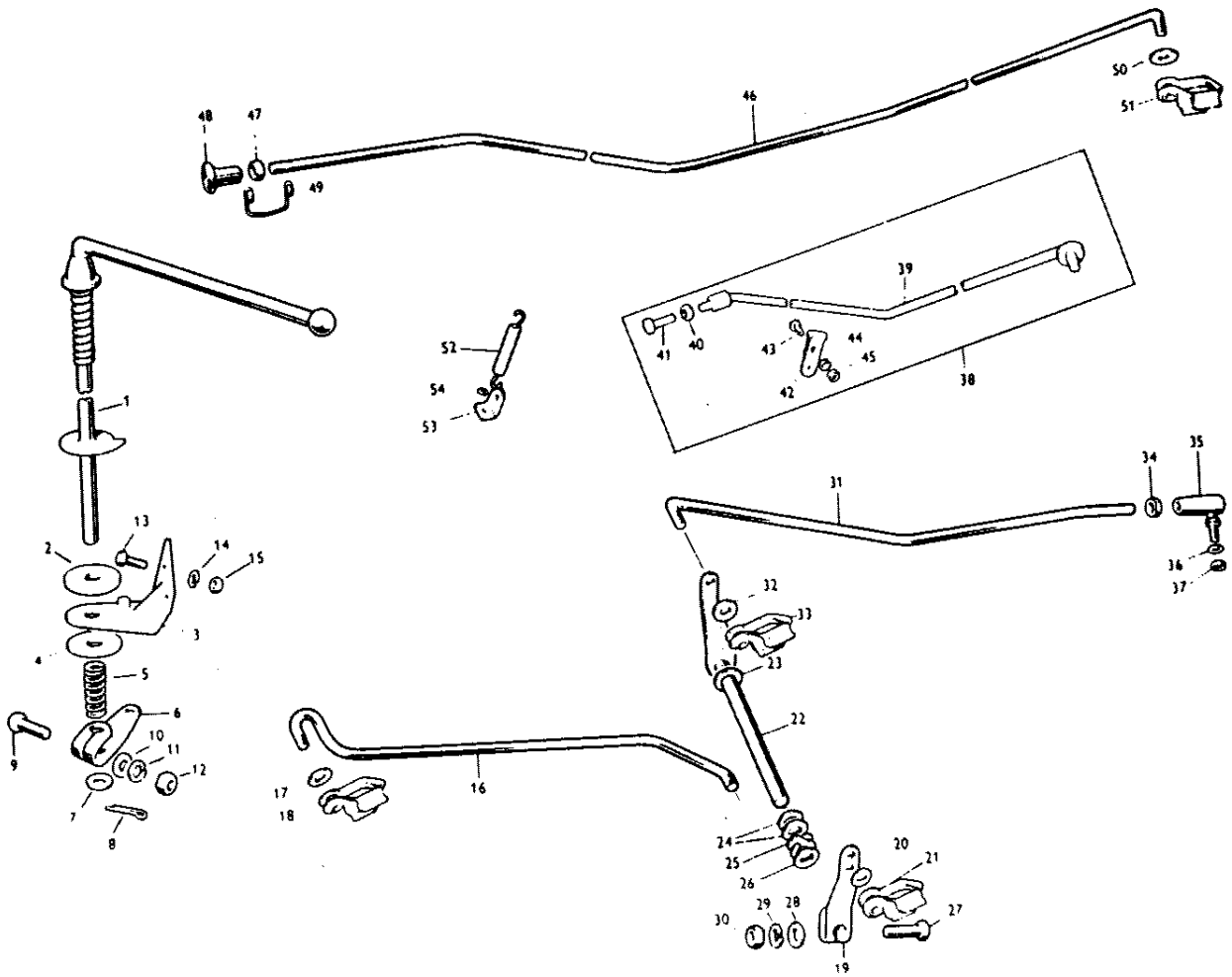


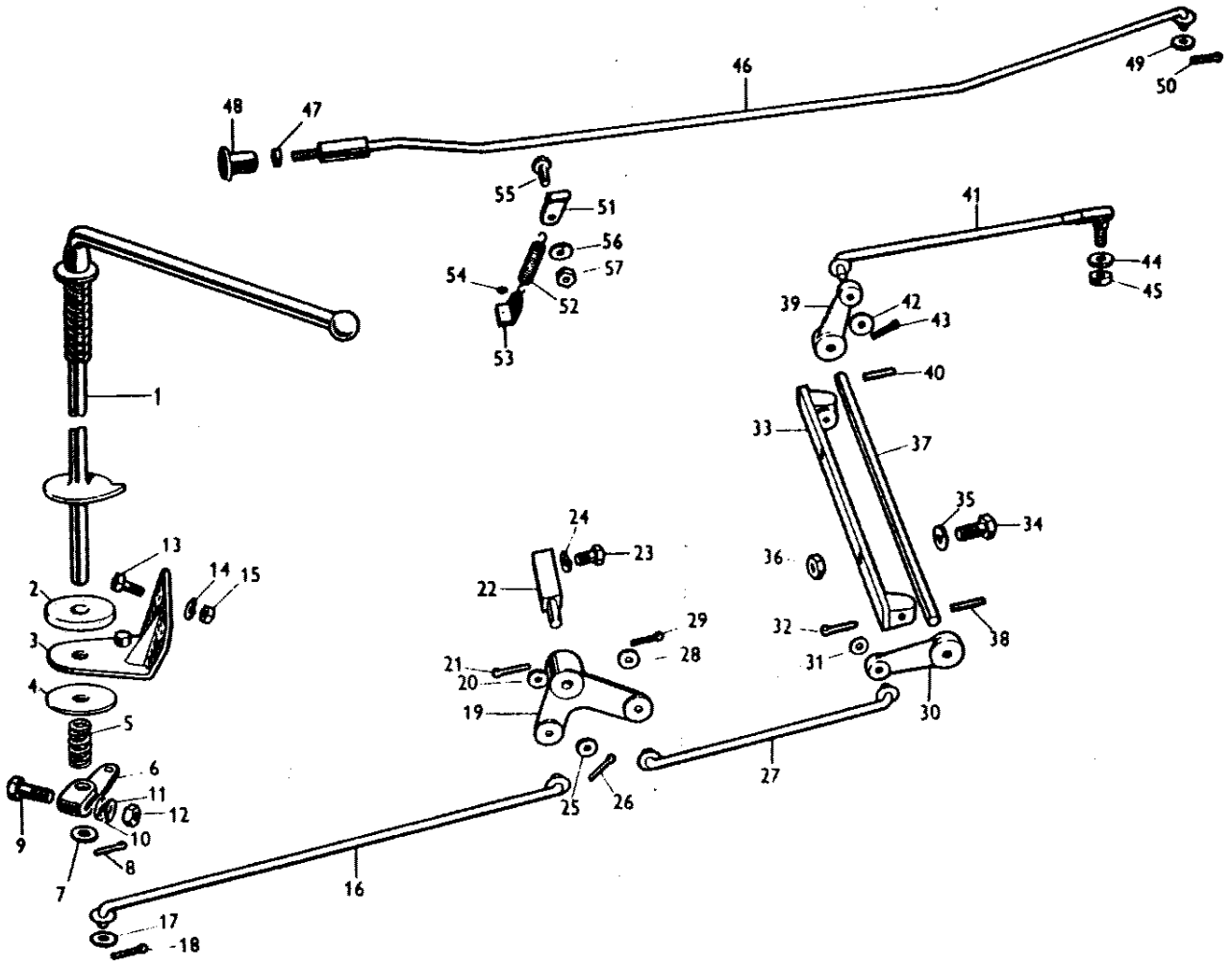


CTP.05/3

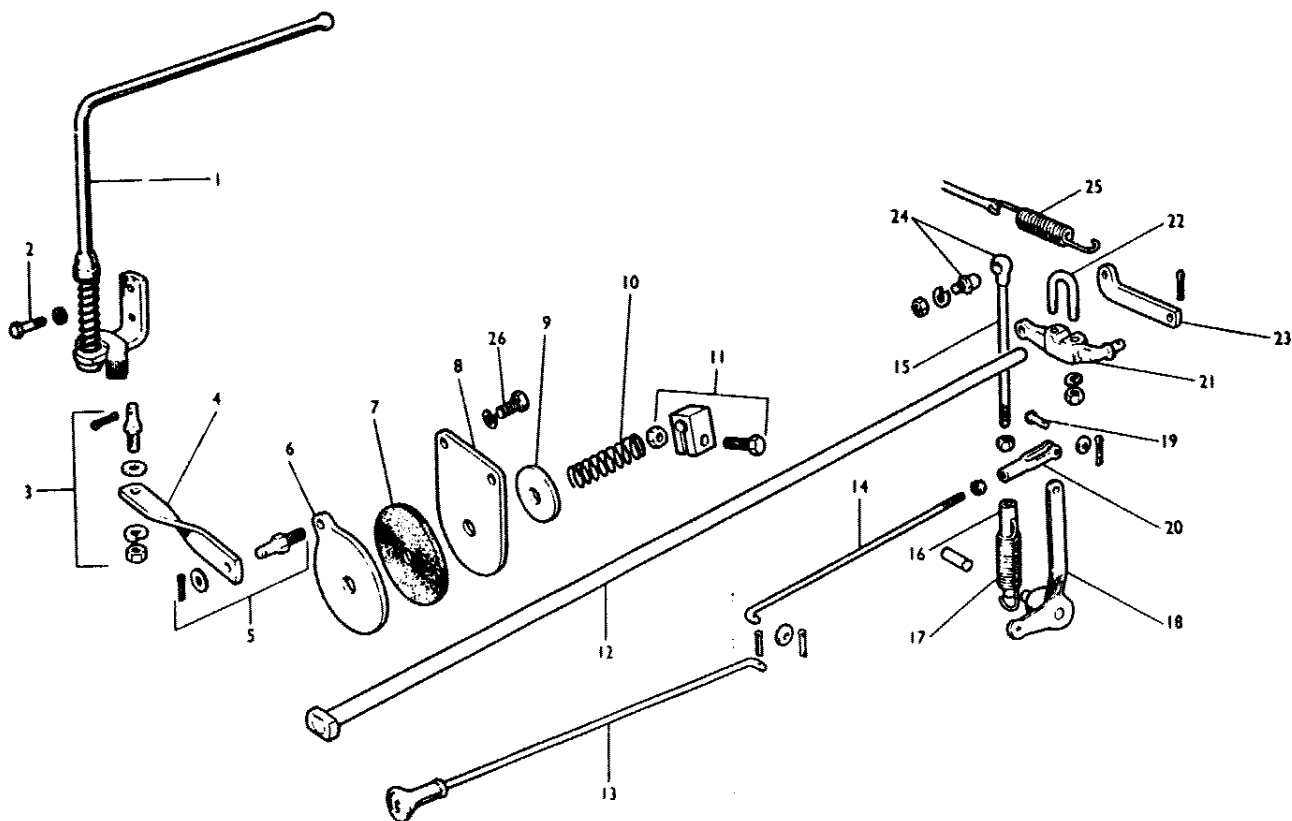


THROTTLE CONTROLS - A3.152 ENGINE  
(CONTINUED)

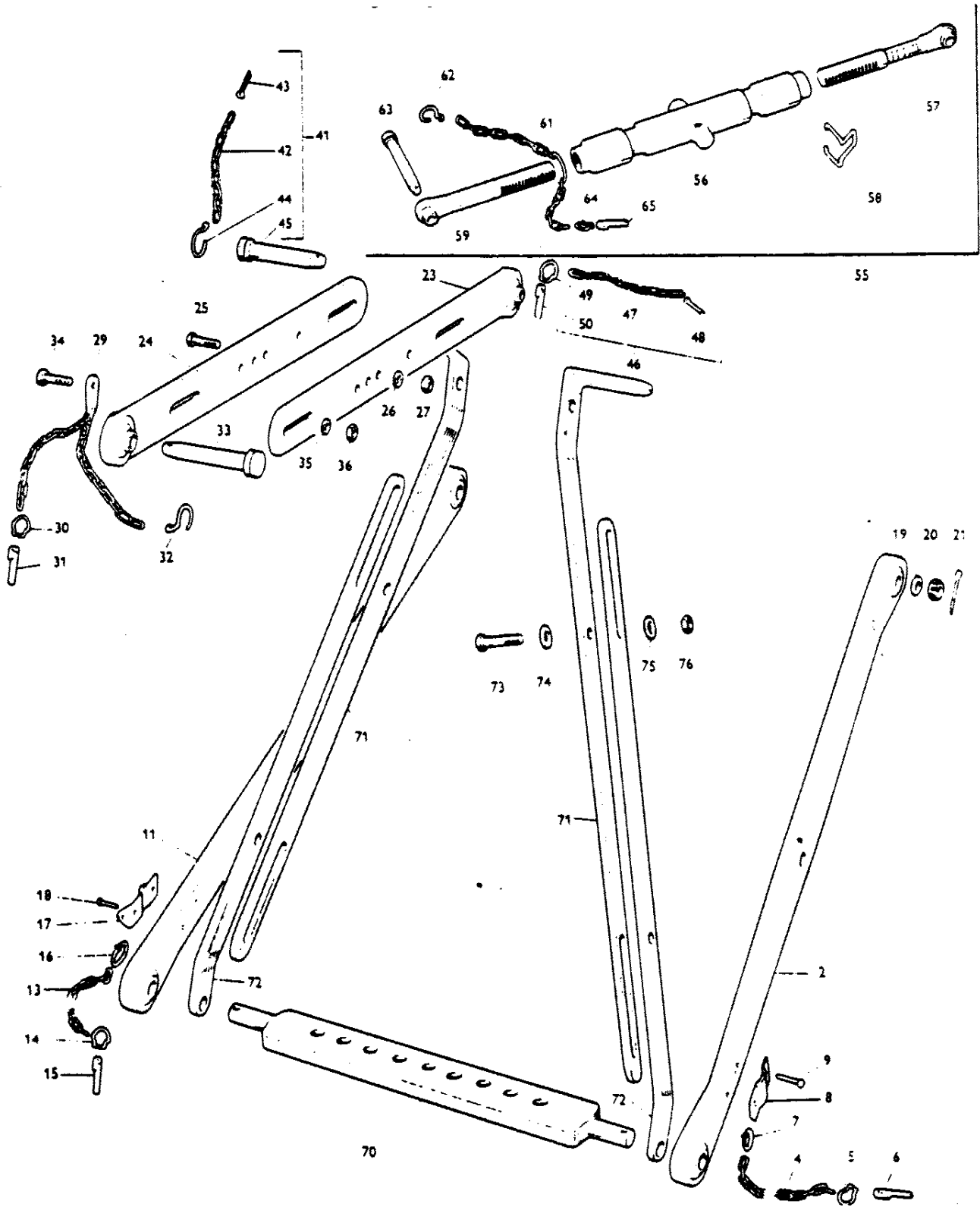




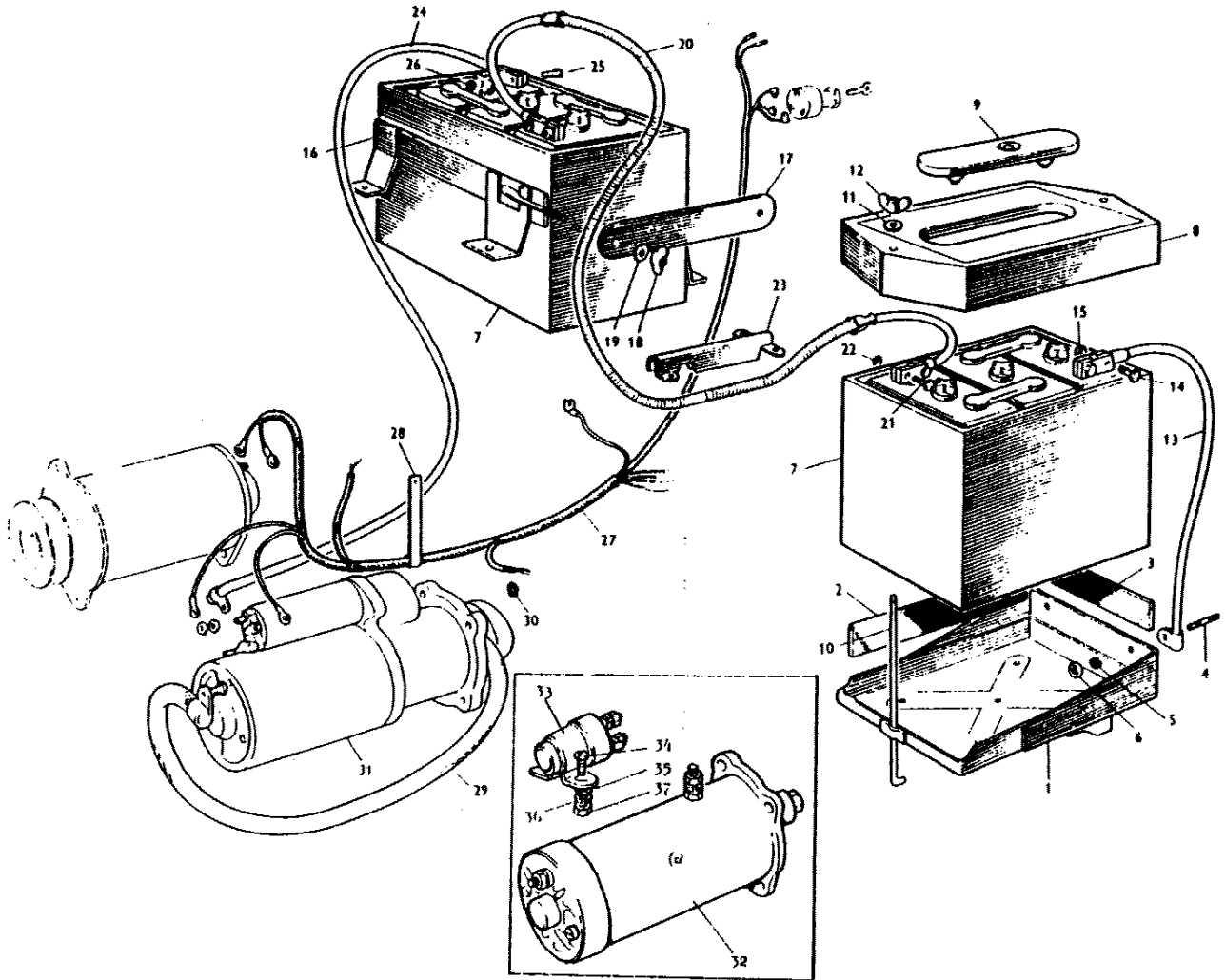
THROTTLE CONTROLS  
87 M/M ENGINES



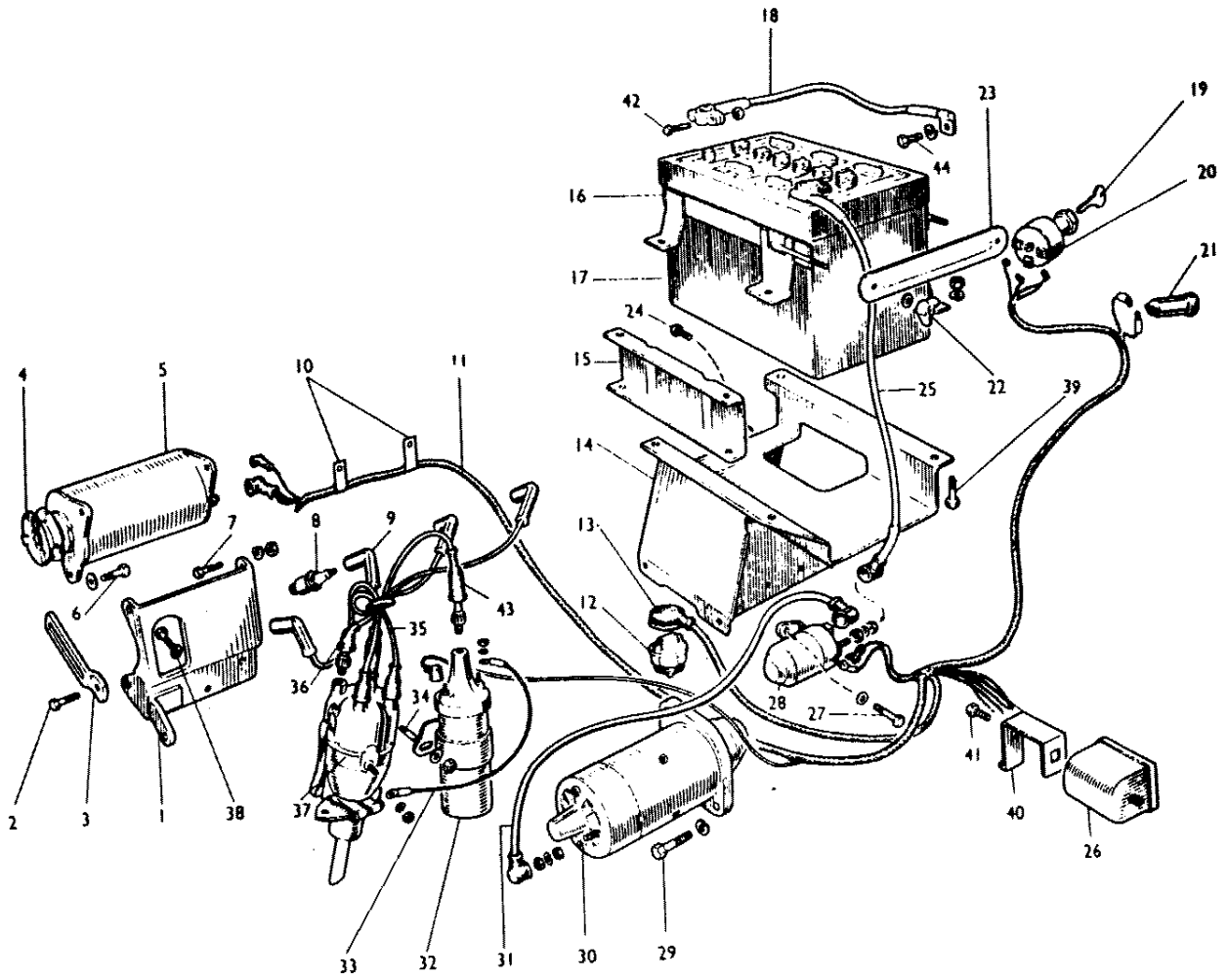
CTP.29/3



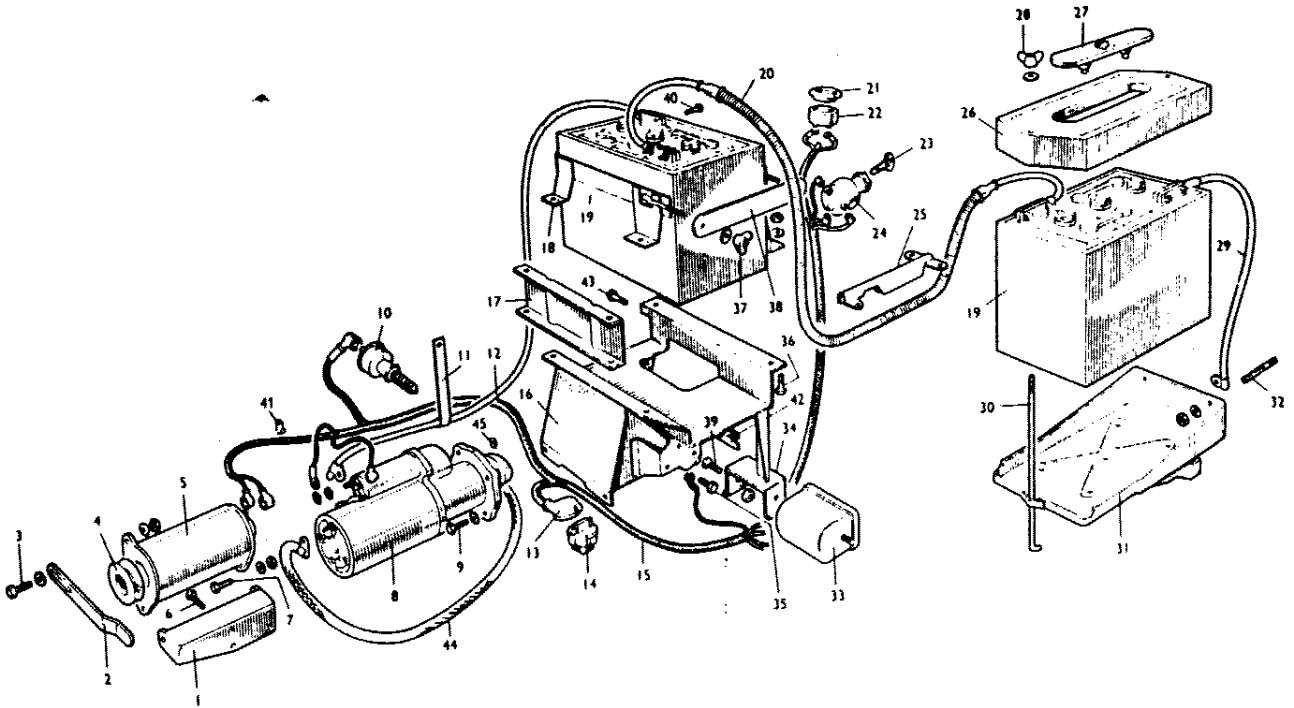
ELECTRICAL DETAILS, A3.152 DIESEL  
(2 x 6 VOLT) COLD CLIMATE



ELECTRICAL DETAILS  
(87 M/M ENGINES)



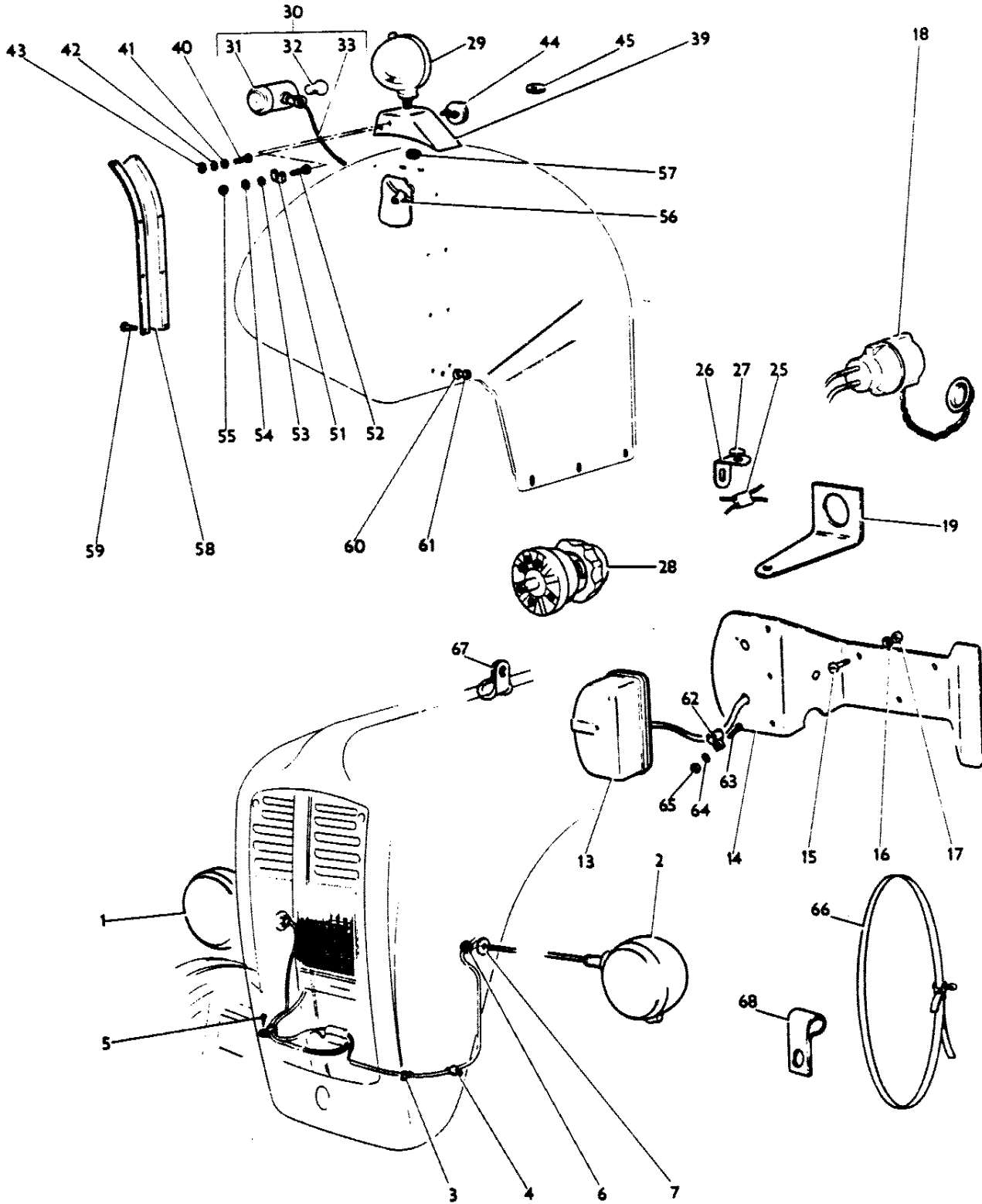
ELECTRICAL DETAILS - 23C ENGINE  
(2 x 6 VOLT)



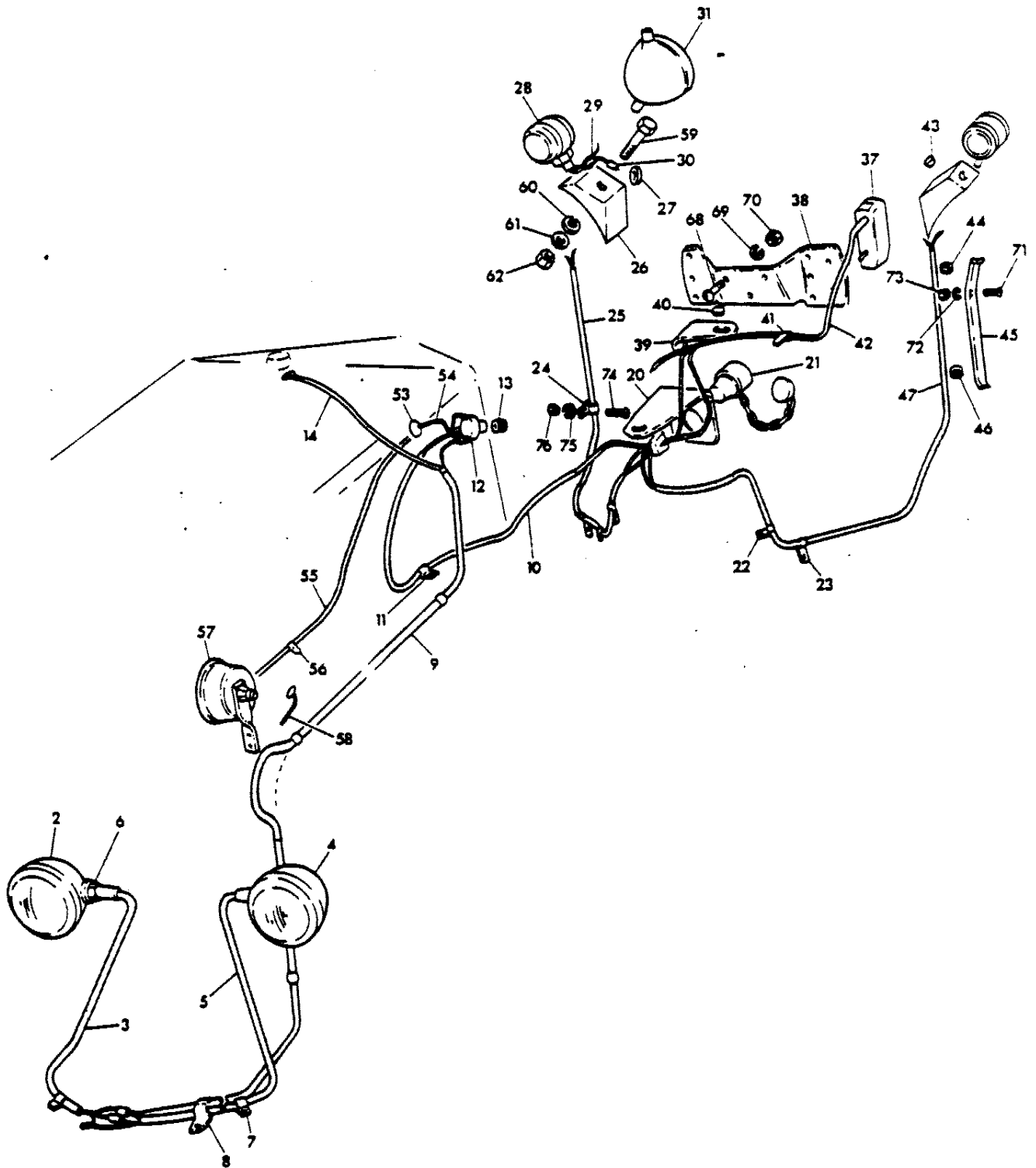


LIGHTING KITS WITH SAFETY FENDERS

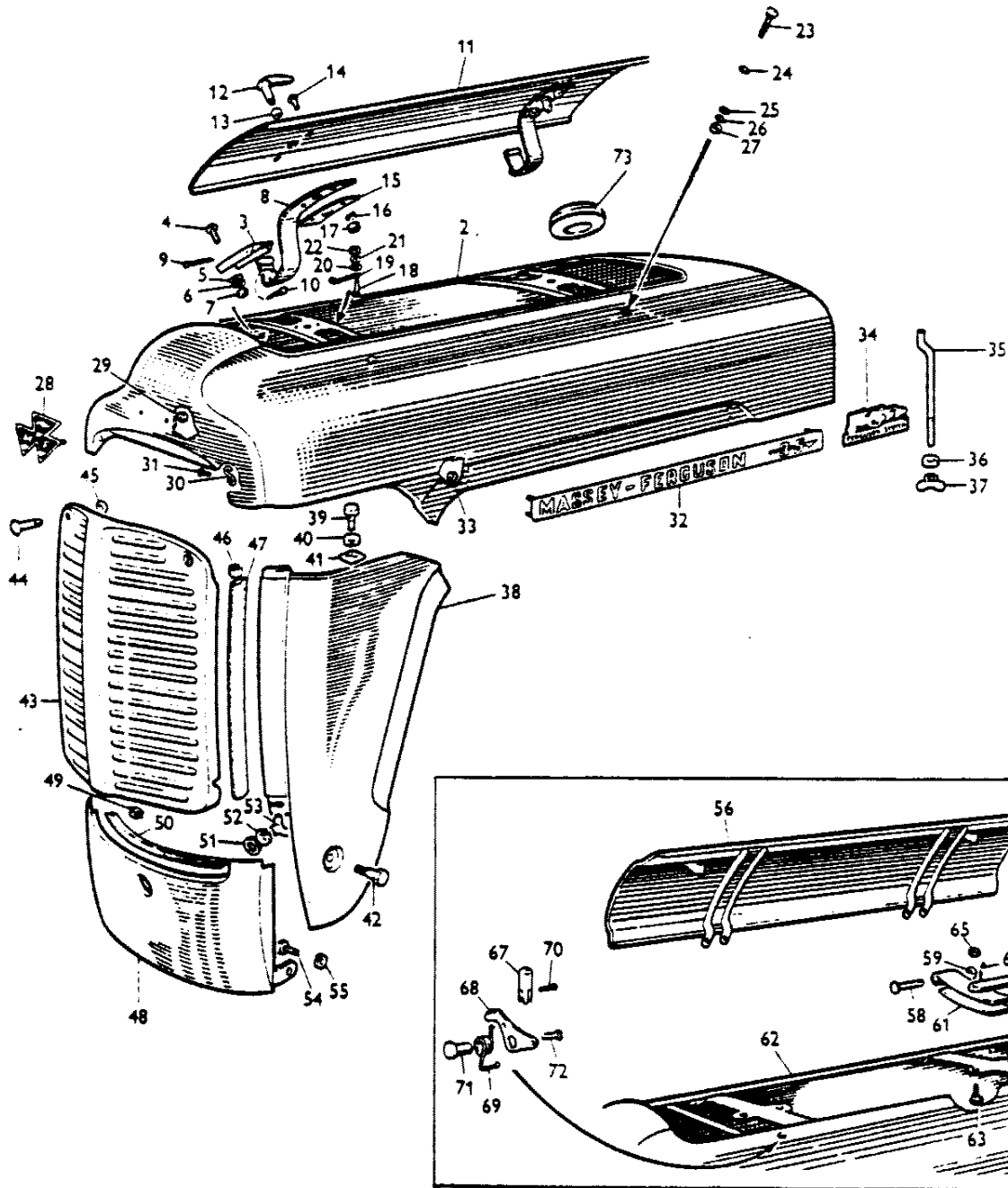
CPO 4330



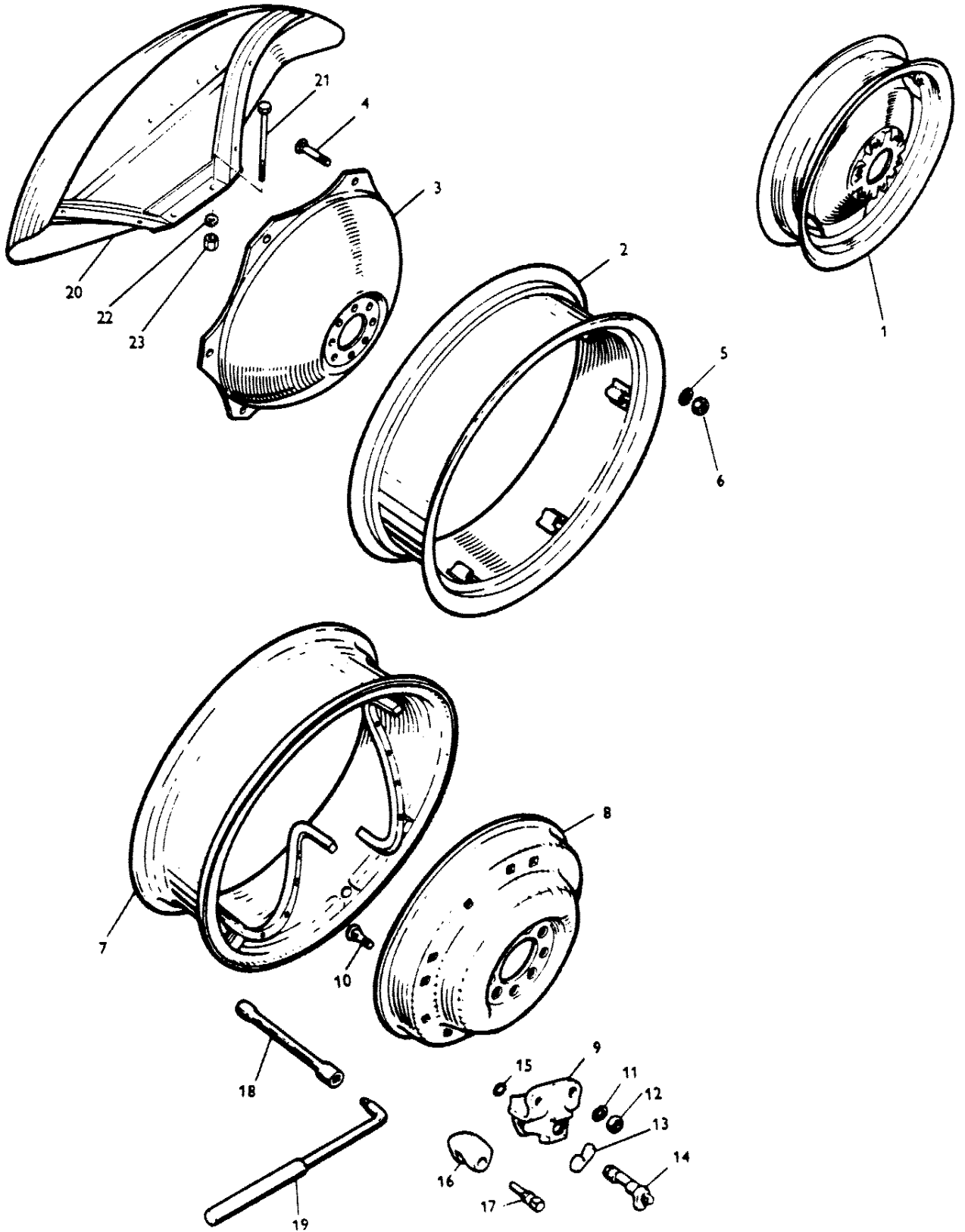
CRO. 4397/1



CPO.4297

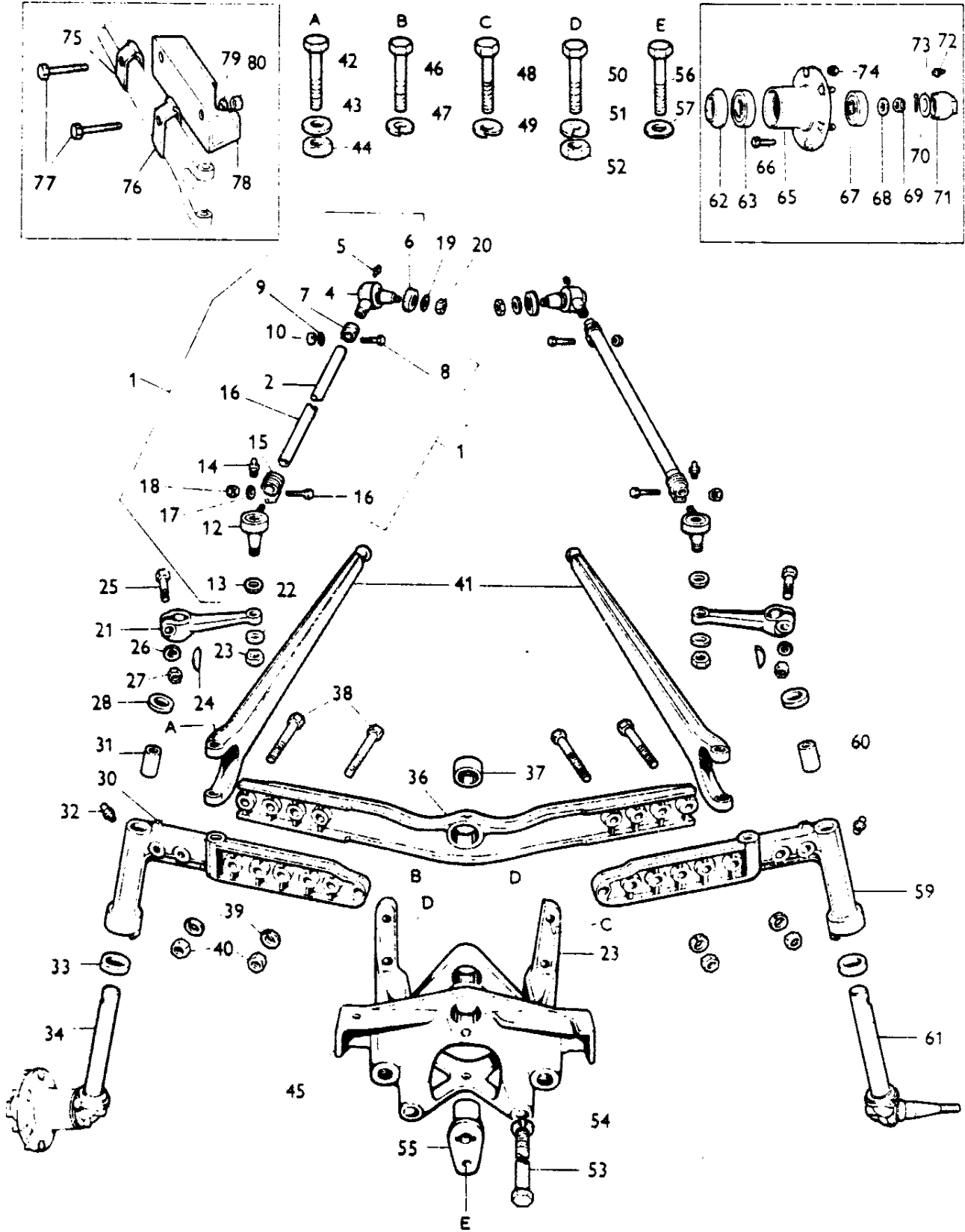


CPO.4260

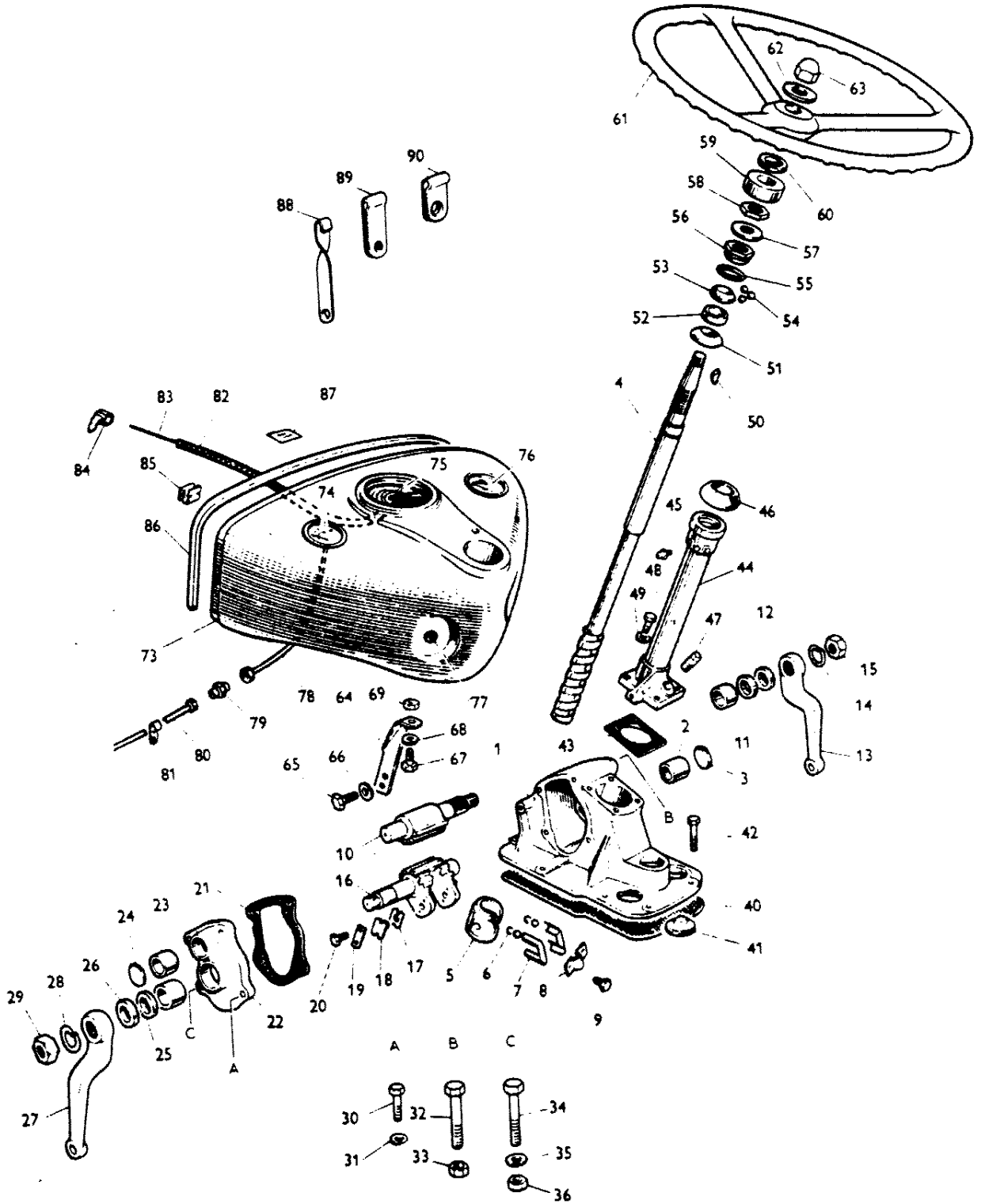


FRONT AXLE AND SUPPORT

CTP.46/1

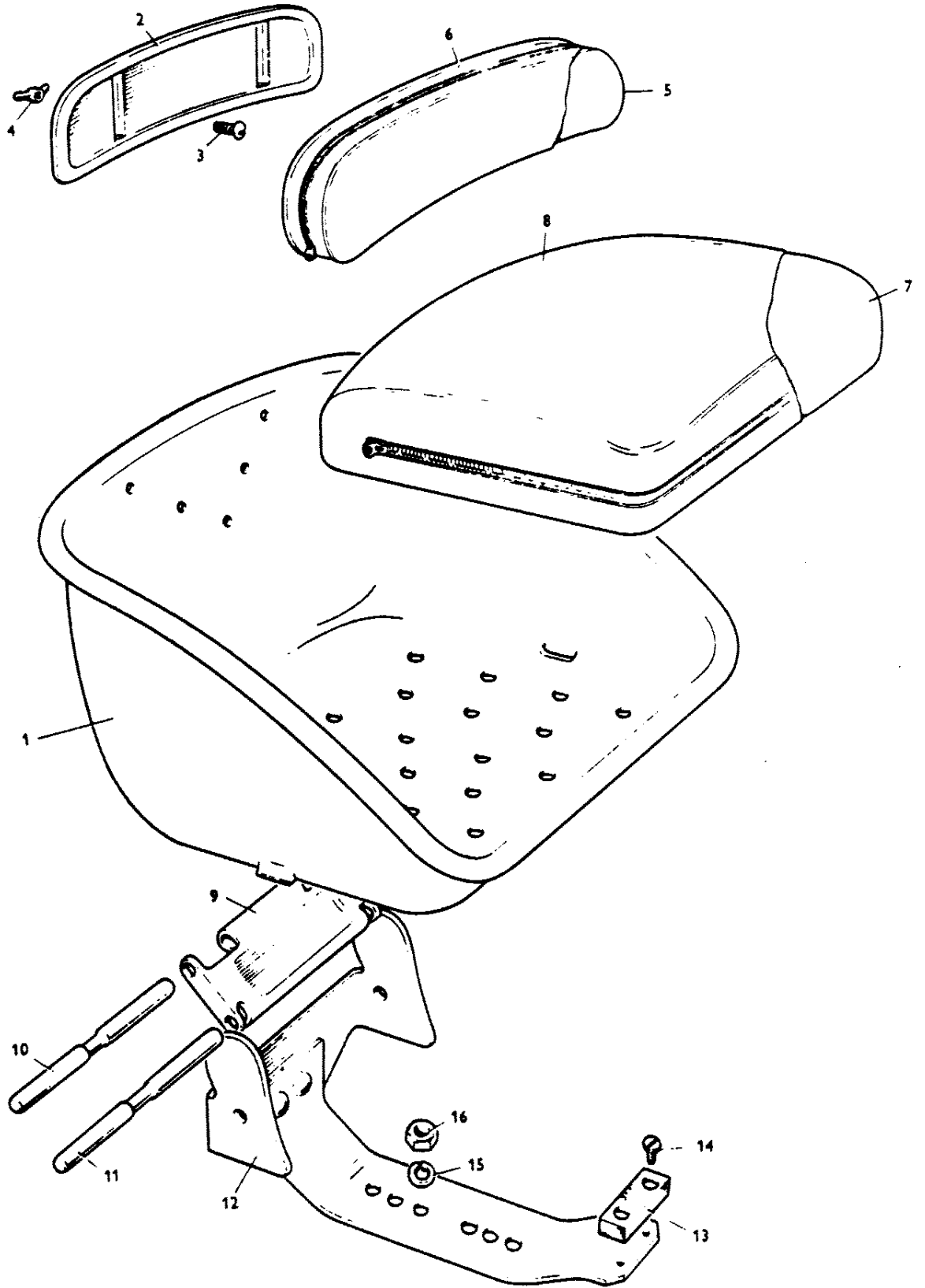


CTP.38/2

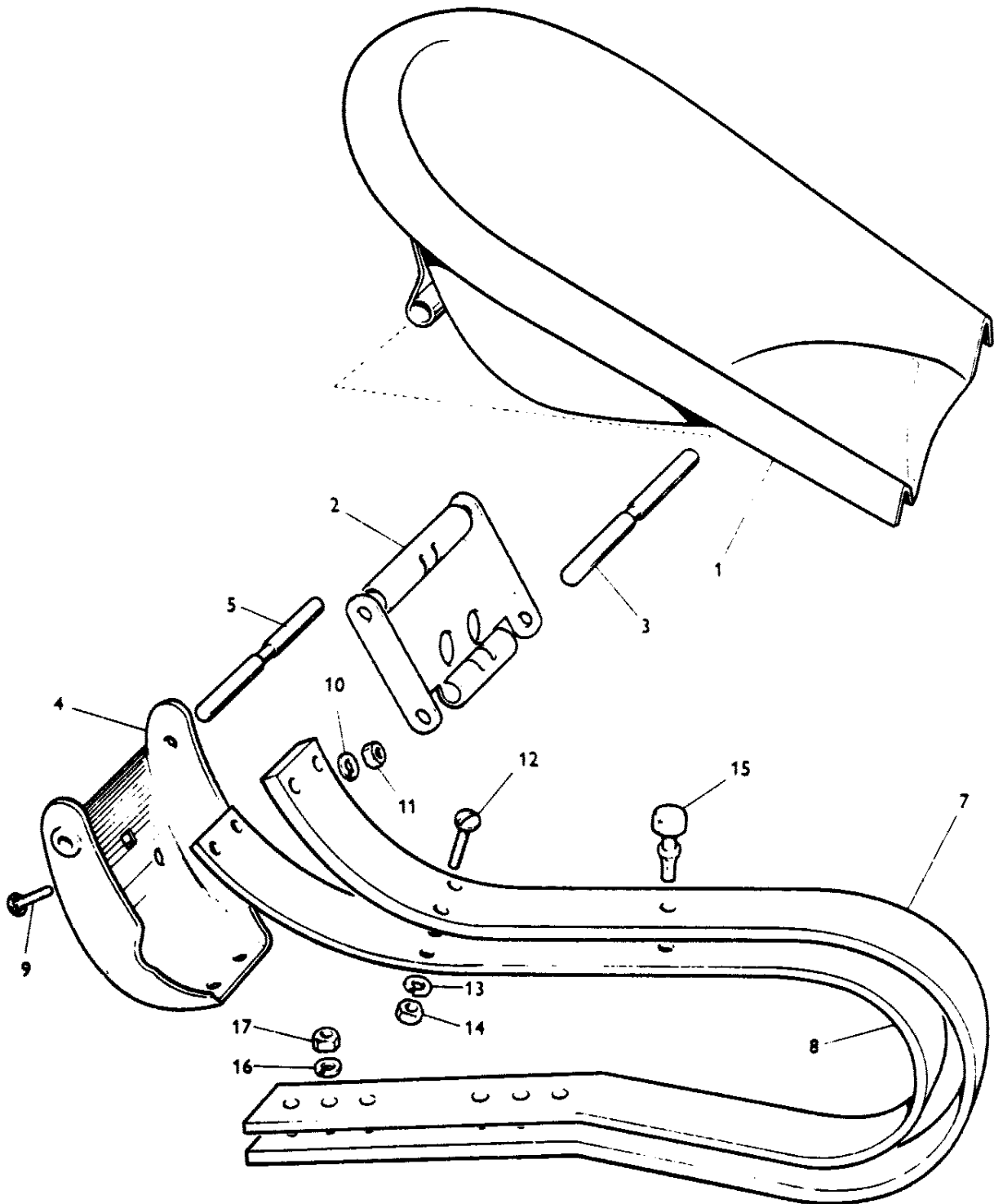


DRIVER'S SEAT, DE LUXE

CPO.3124

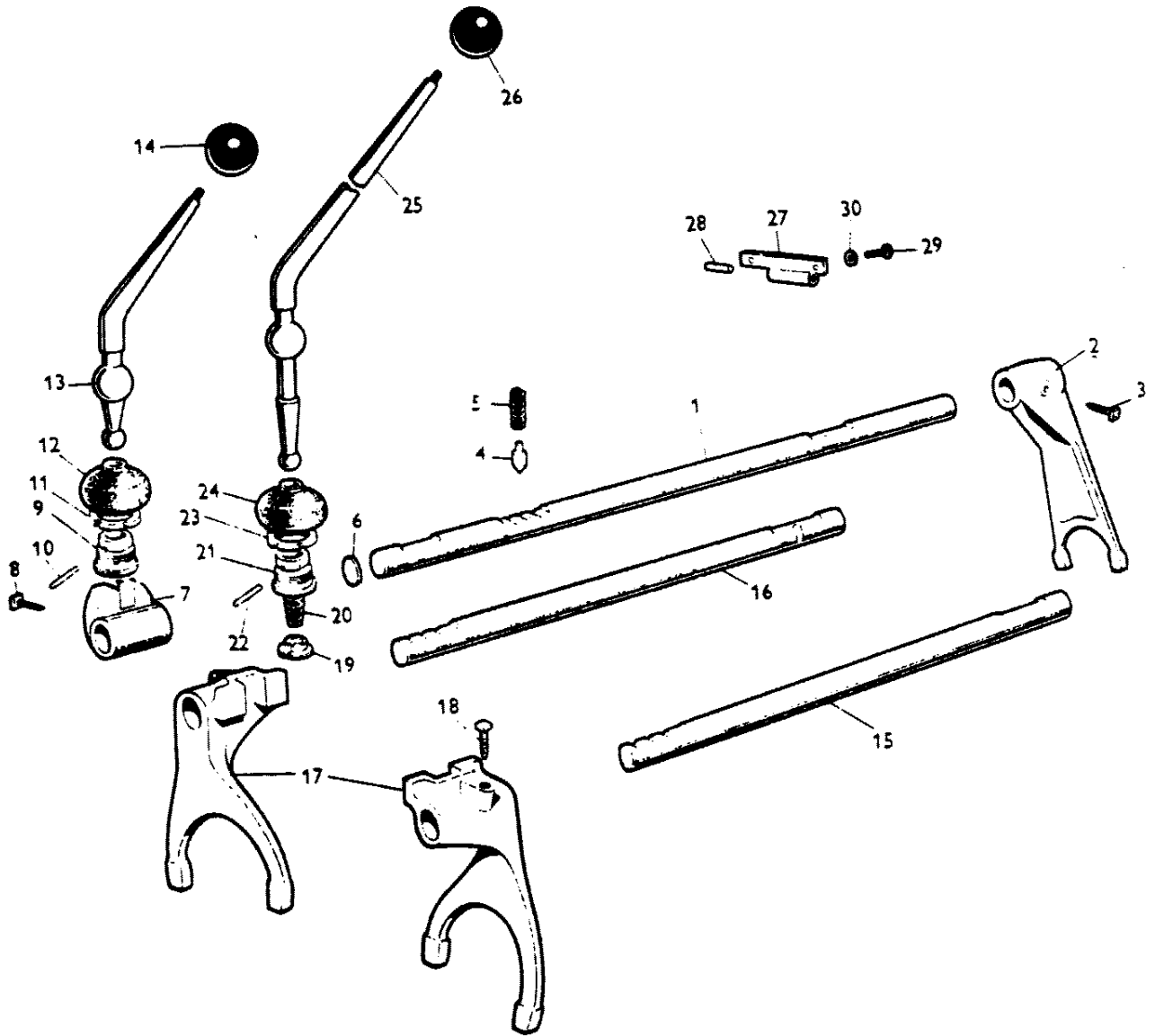


CPO.4240

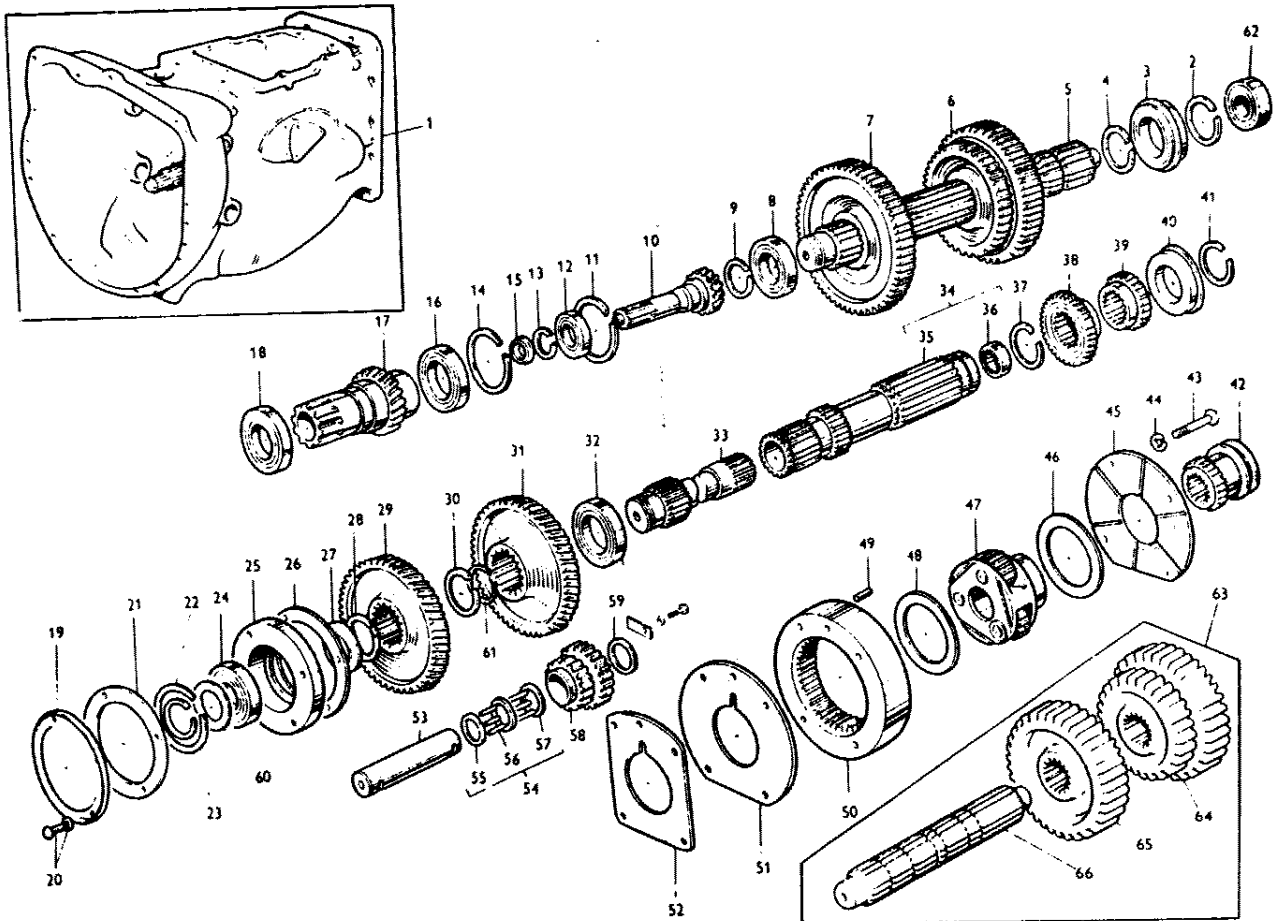




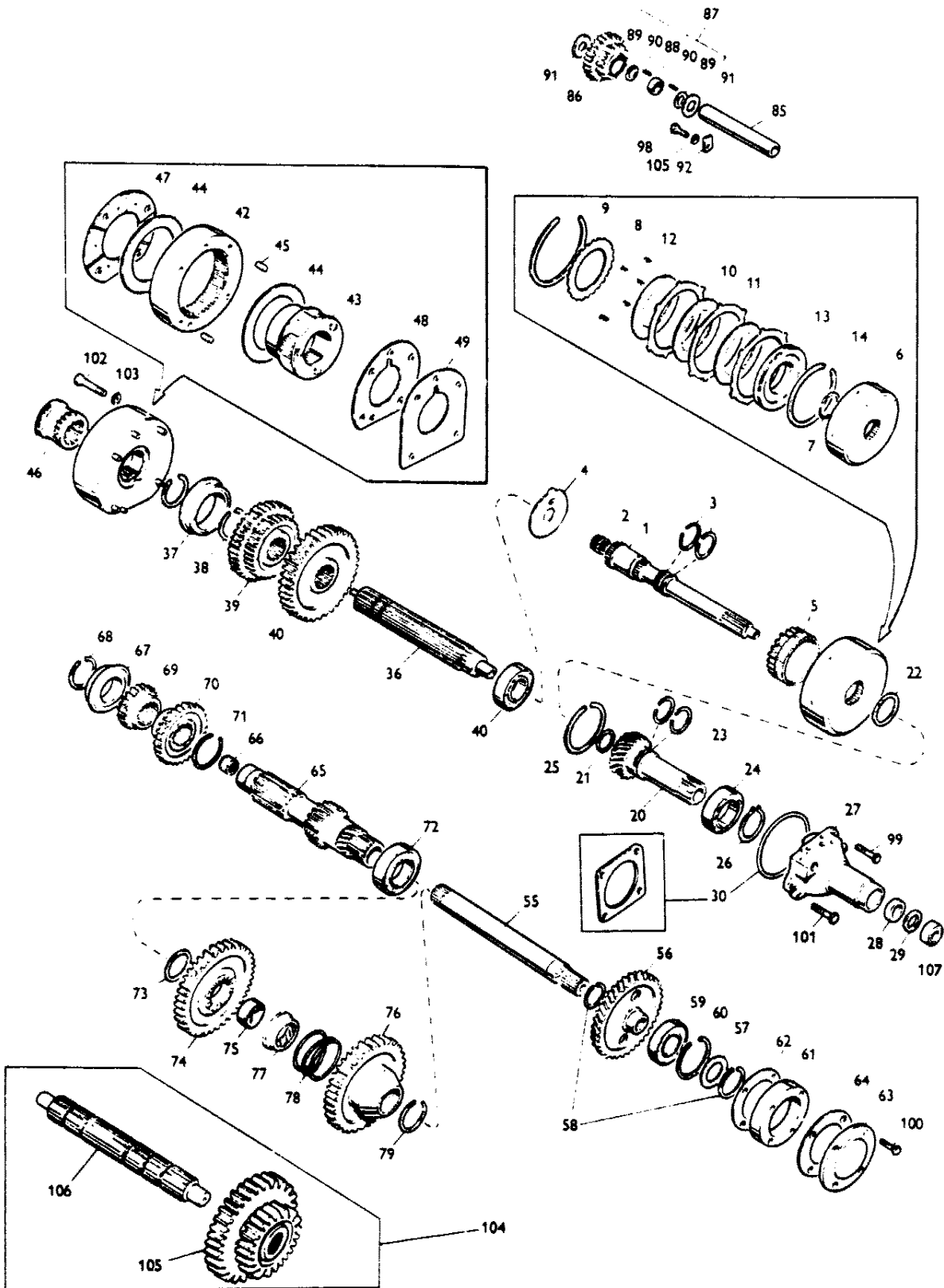
CTP.39/1



TRANSMISSION, REGULAR

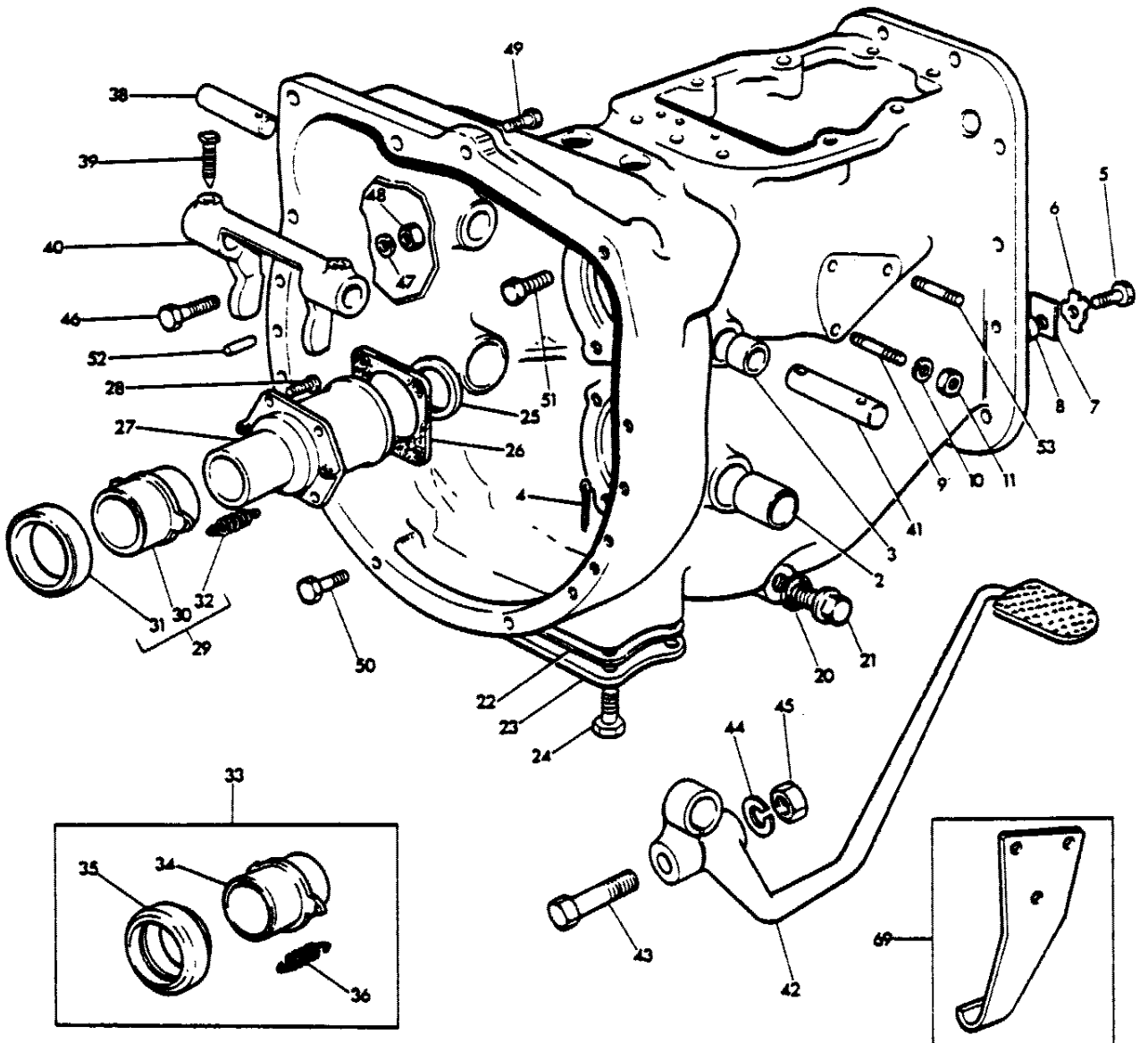
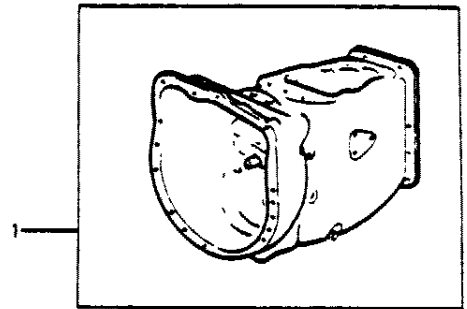
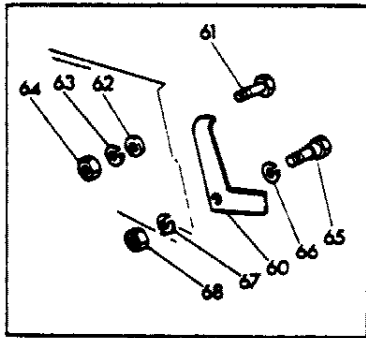


CPO.4271



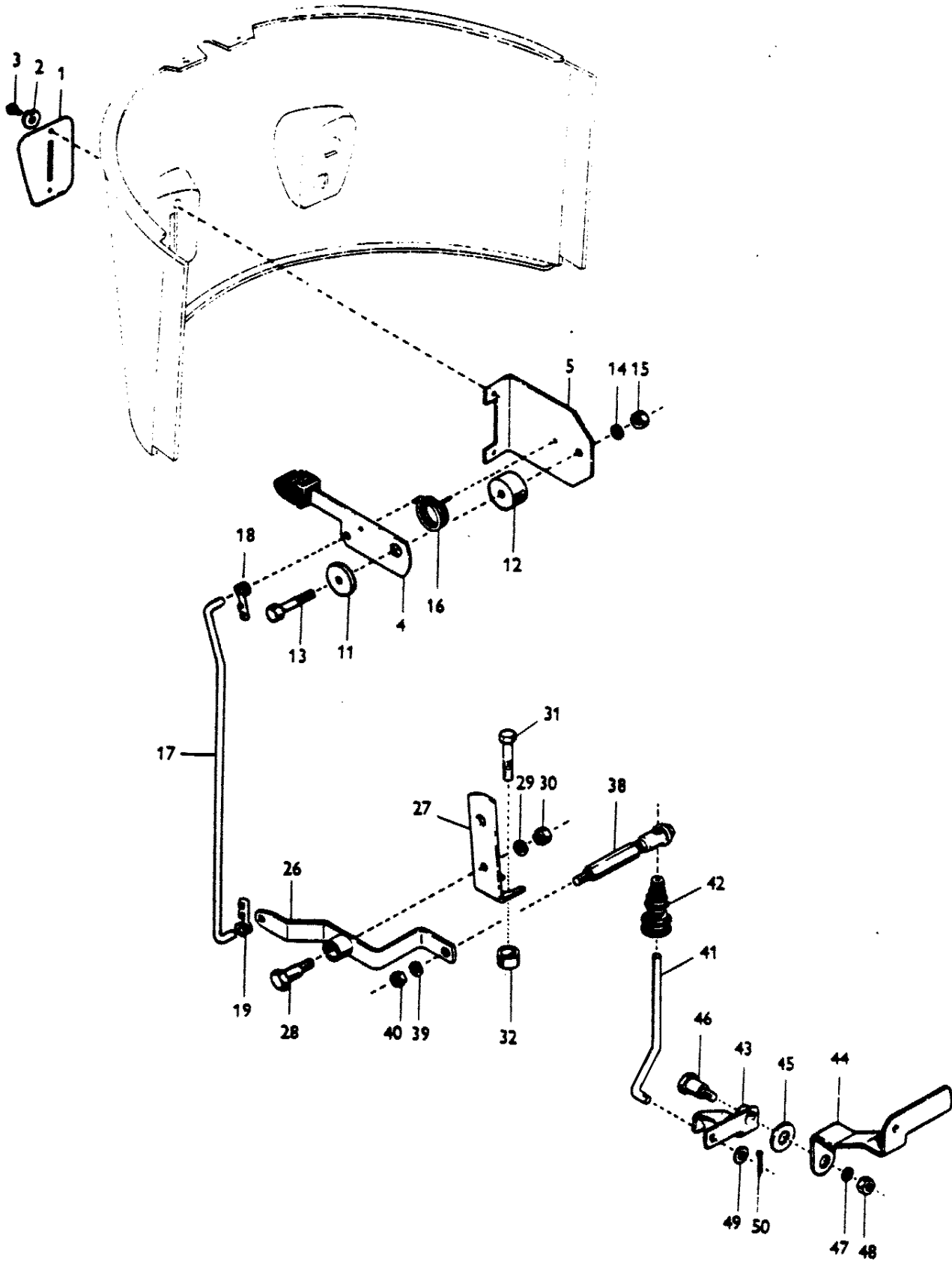
TRANSMISSION CASE

COP. 4270/1



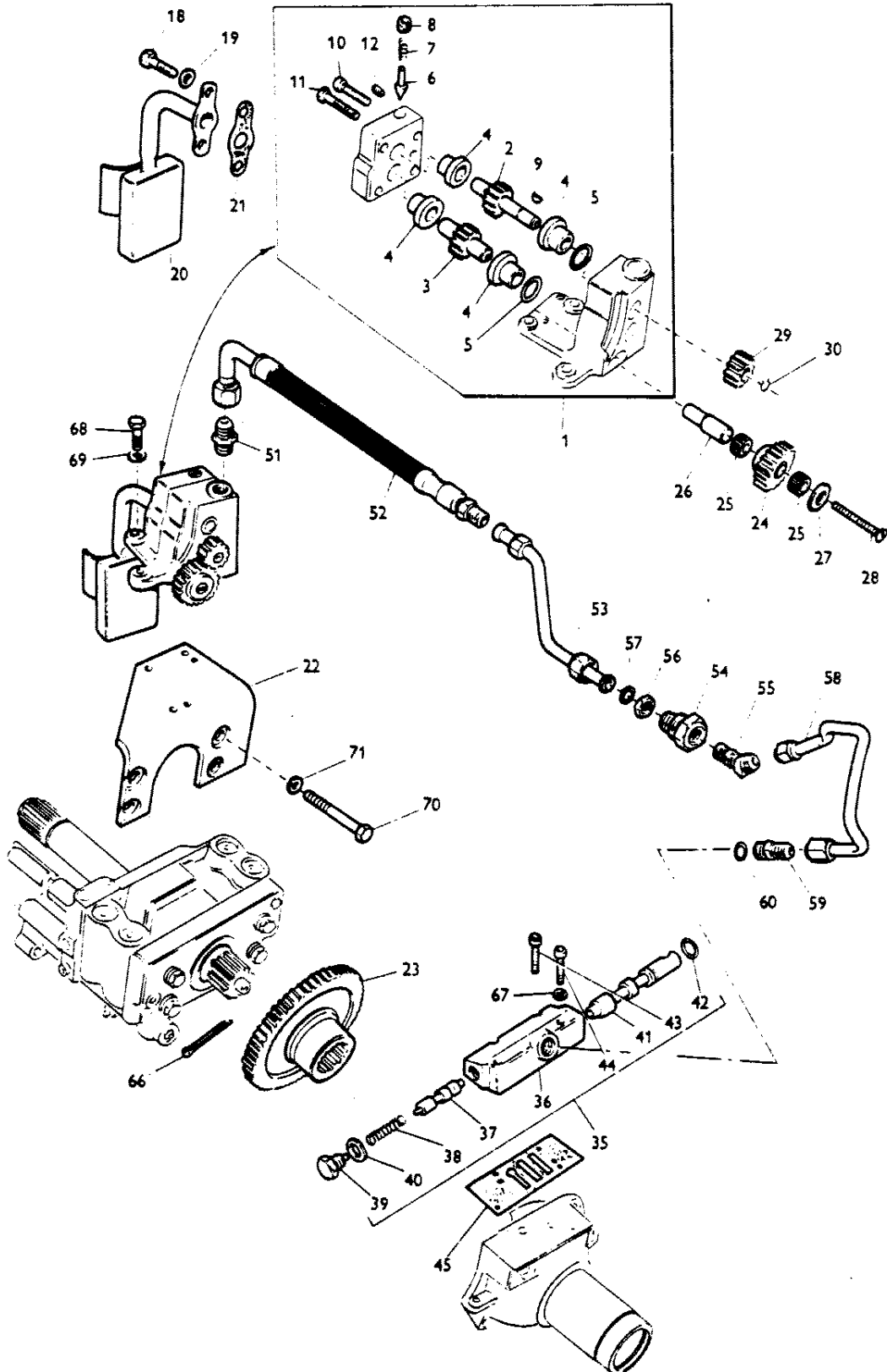
SHIFT CONTROL, MULTI-POWER TRANSMISSION

CPO.4295



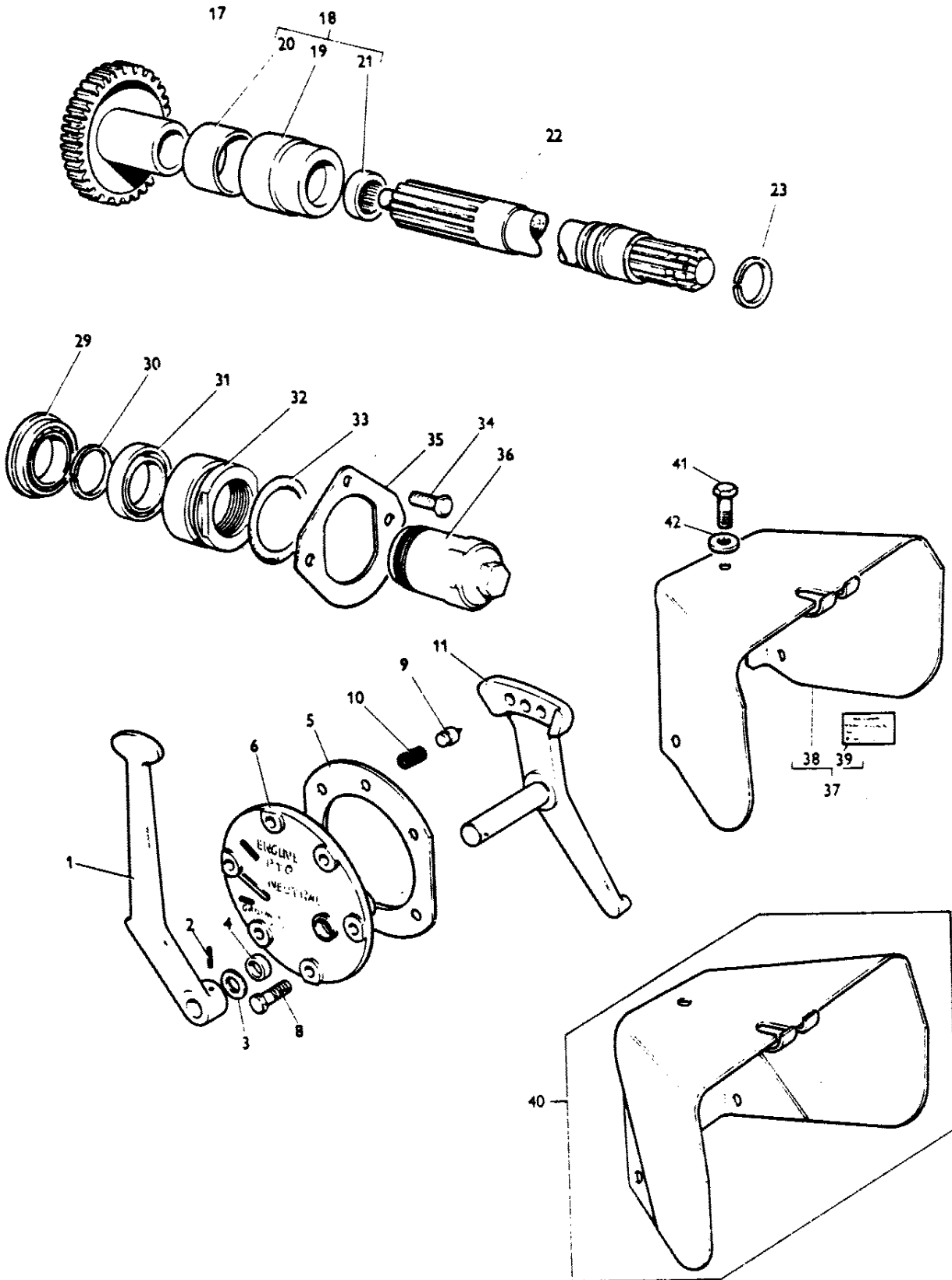
TRANSMISSION PUMP HYDRAULIC VALVE AND LINES  
(MULTI-POWER TRANSMISSION)

CPO.4291



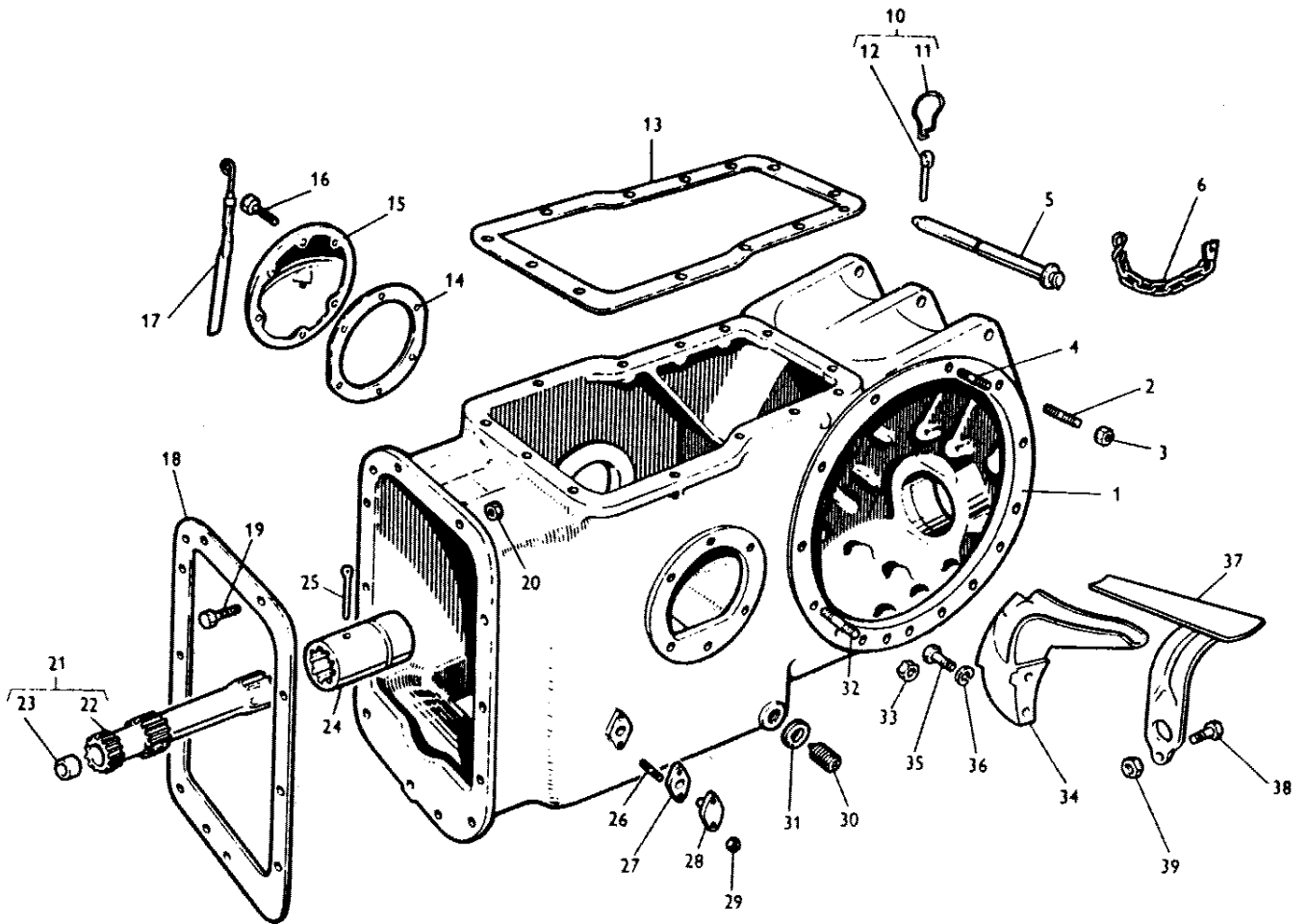
HYDRAULIC P.T.O. SHIFTER MECHANISM

CPO. 4259



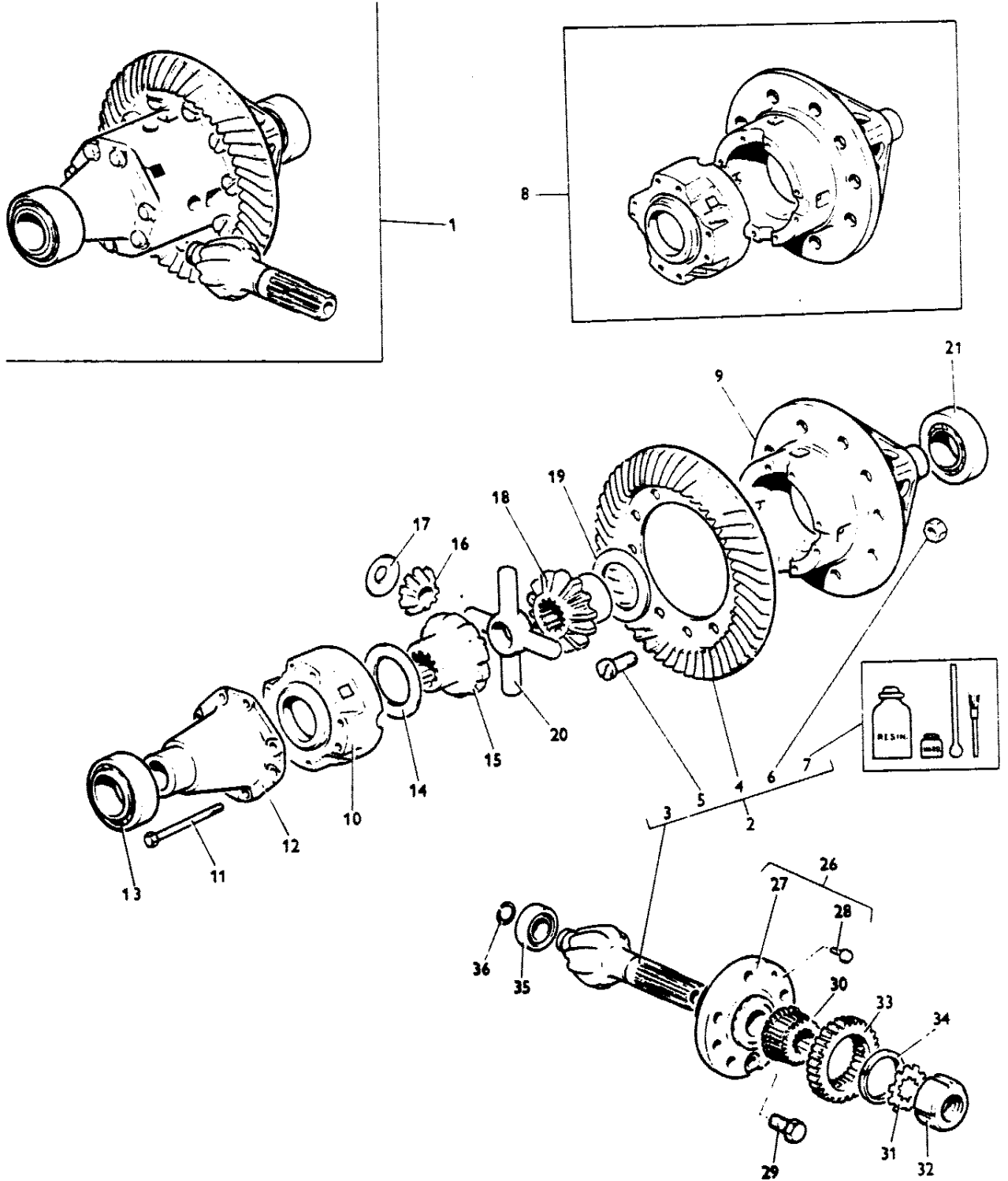
CENTRE AXLE HOUSING

207



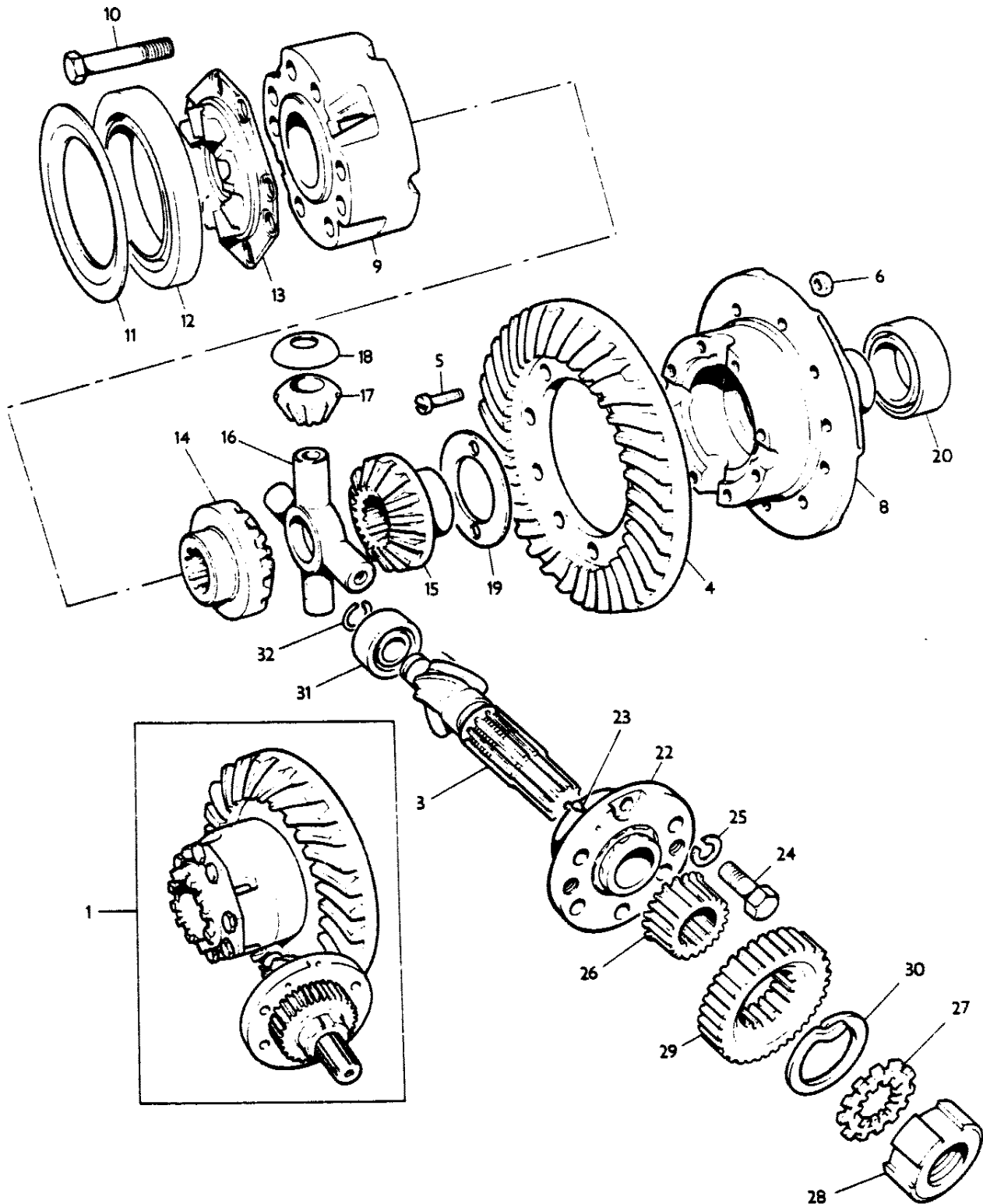


CPO.4264

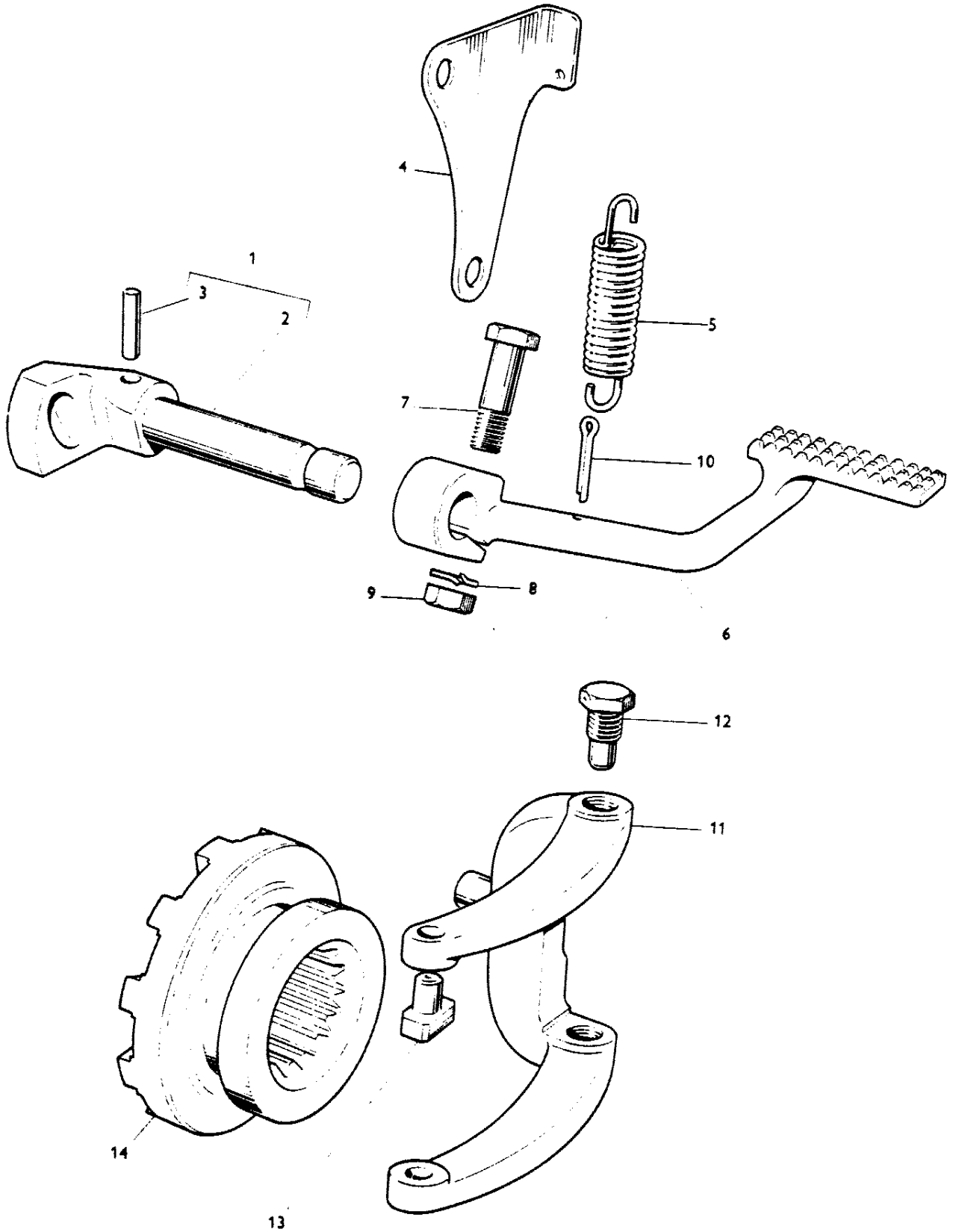


DIFFERENTIAL ASSEMBLY WITH DIFFERENTIAL LOCK

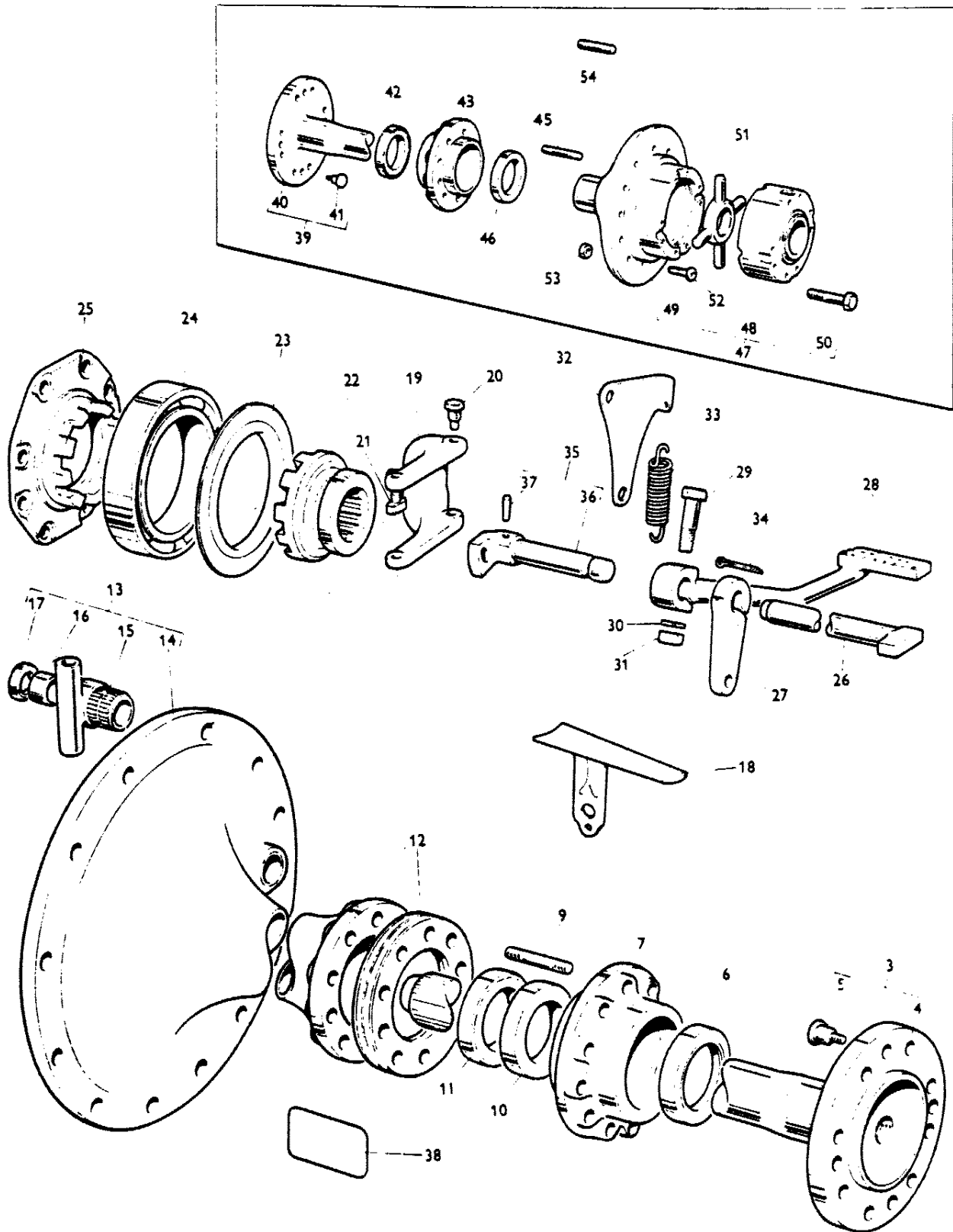
CPO.4265



CPO.4266

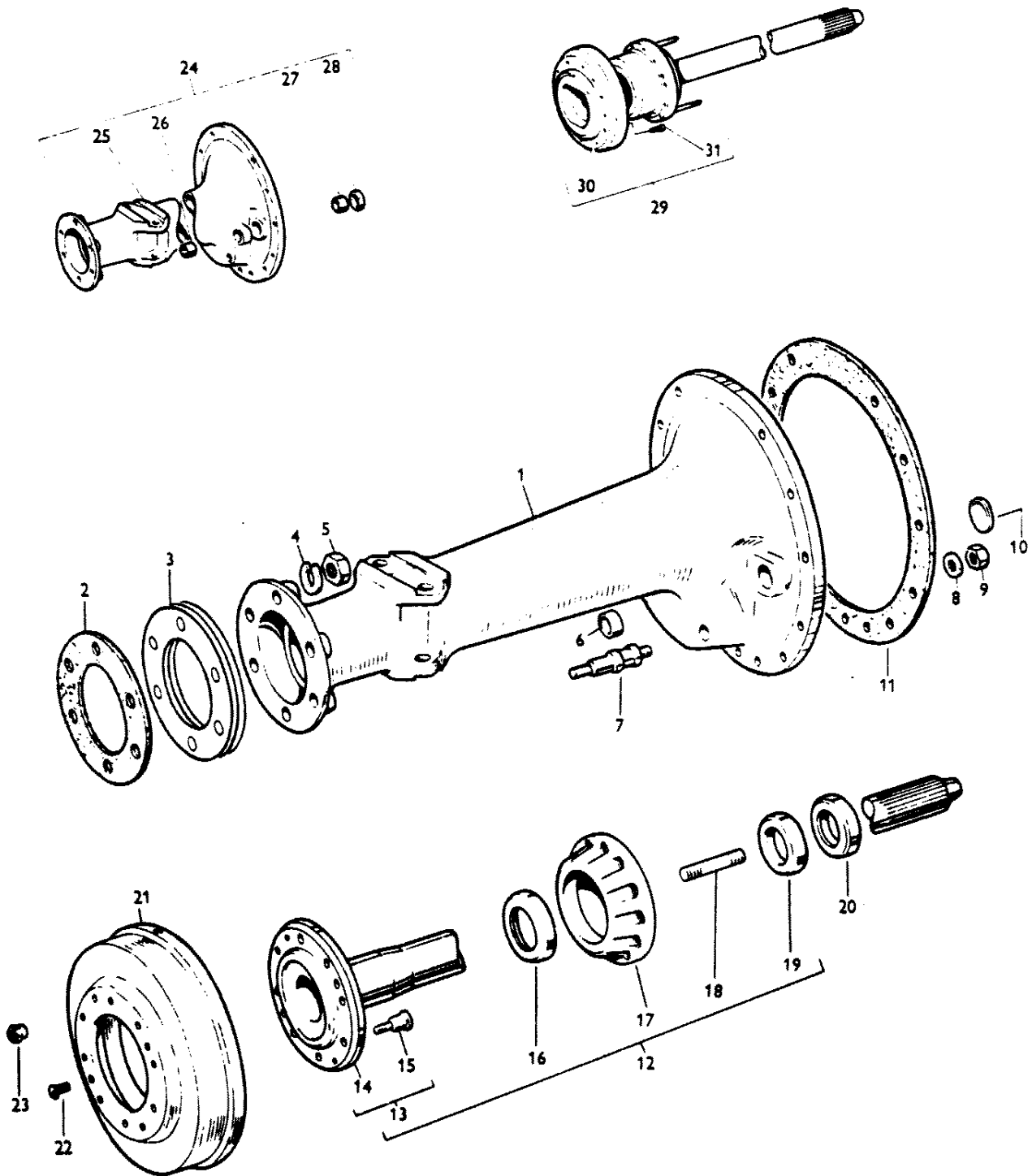


CPO.4267



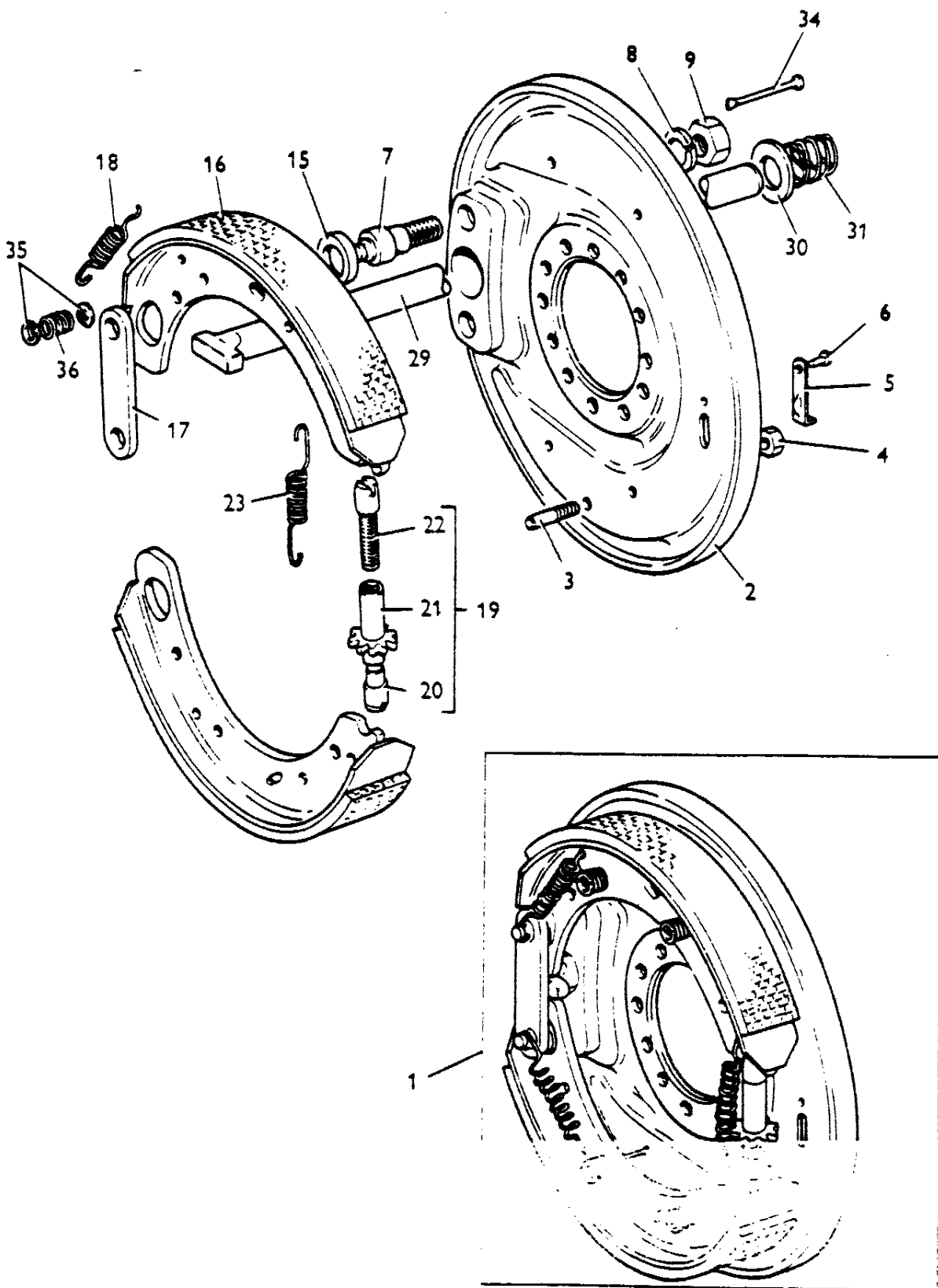
REAR AXLE HOUSING

CPO.4263

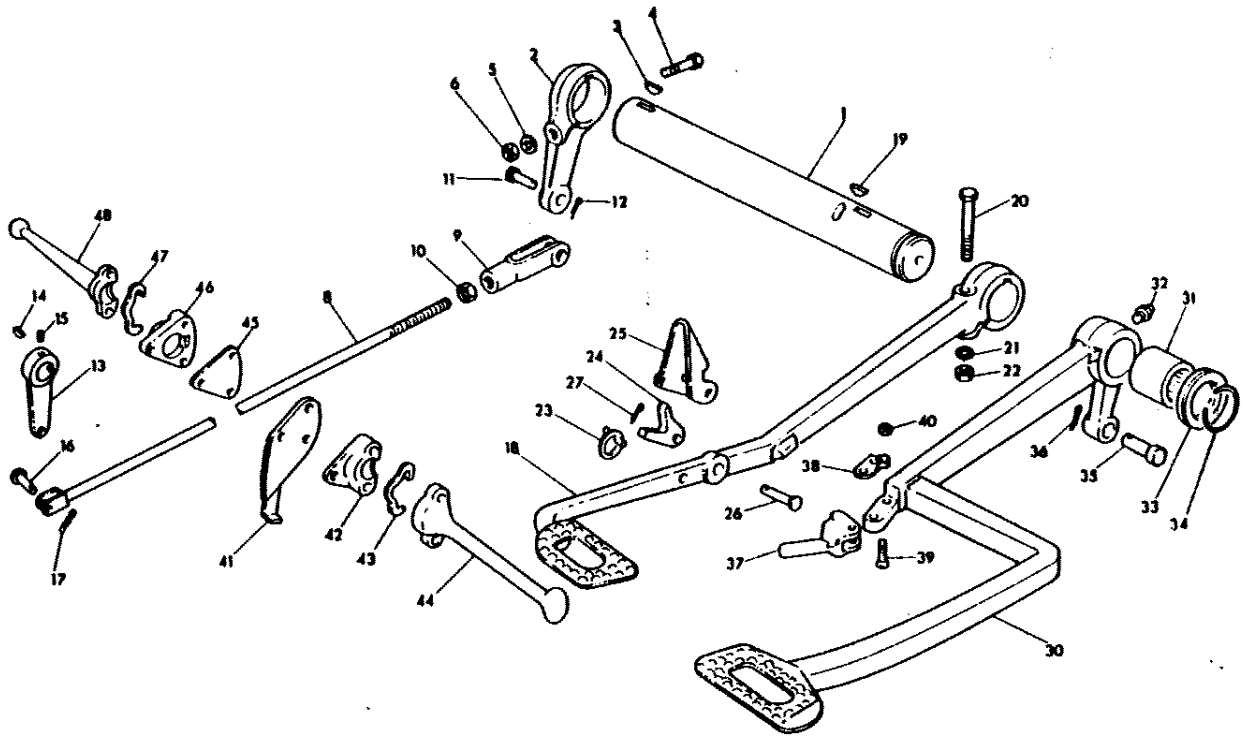


SINGLE BRAKE

CPO. 4261



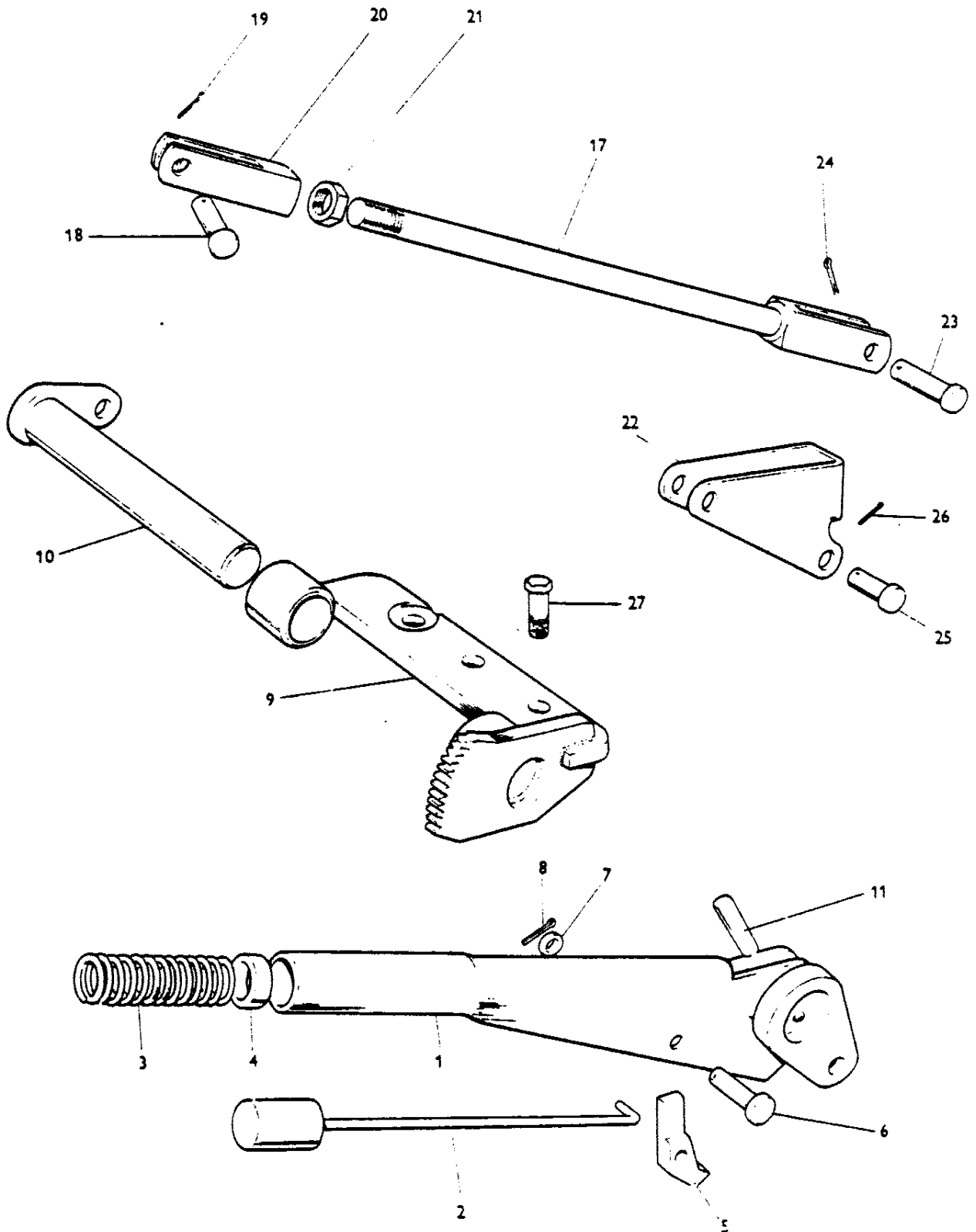
SINGLE BRAKES - BRAKE PEDALS AND RODS



PARKING BRAKE

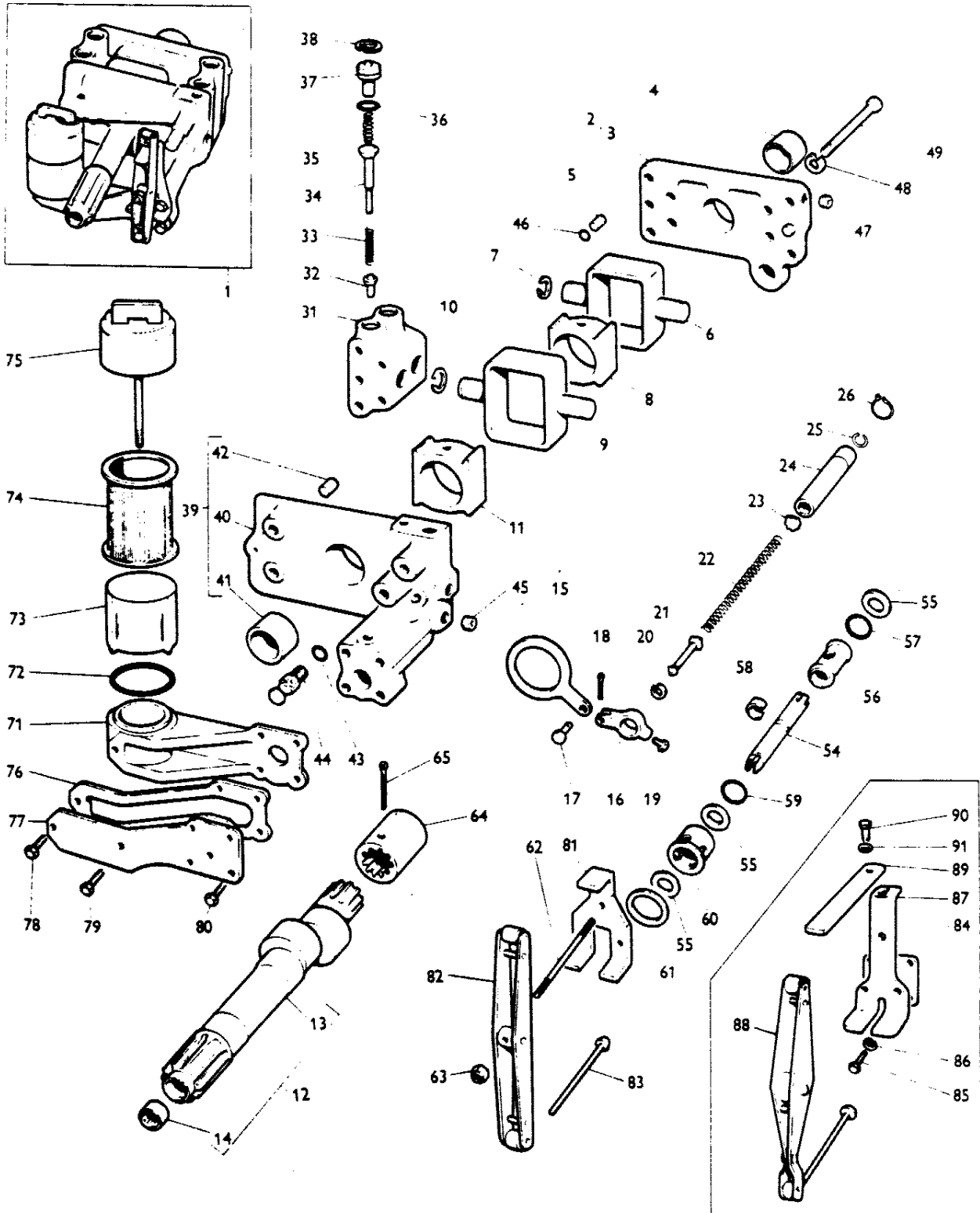
227

CPO.4292

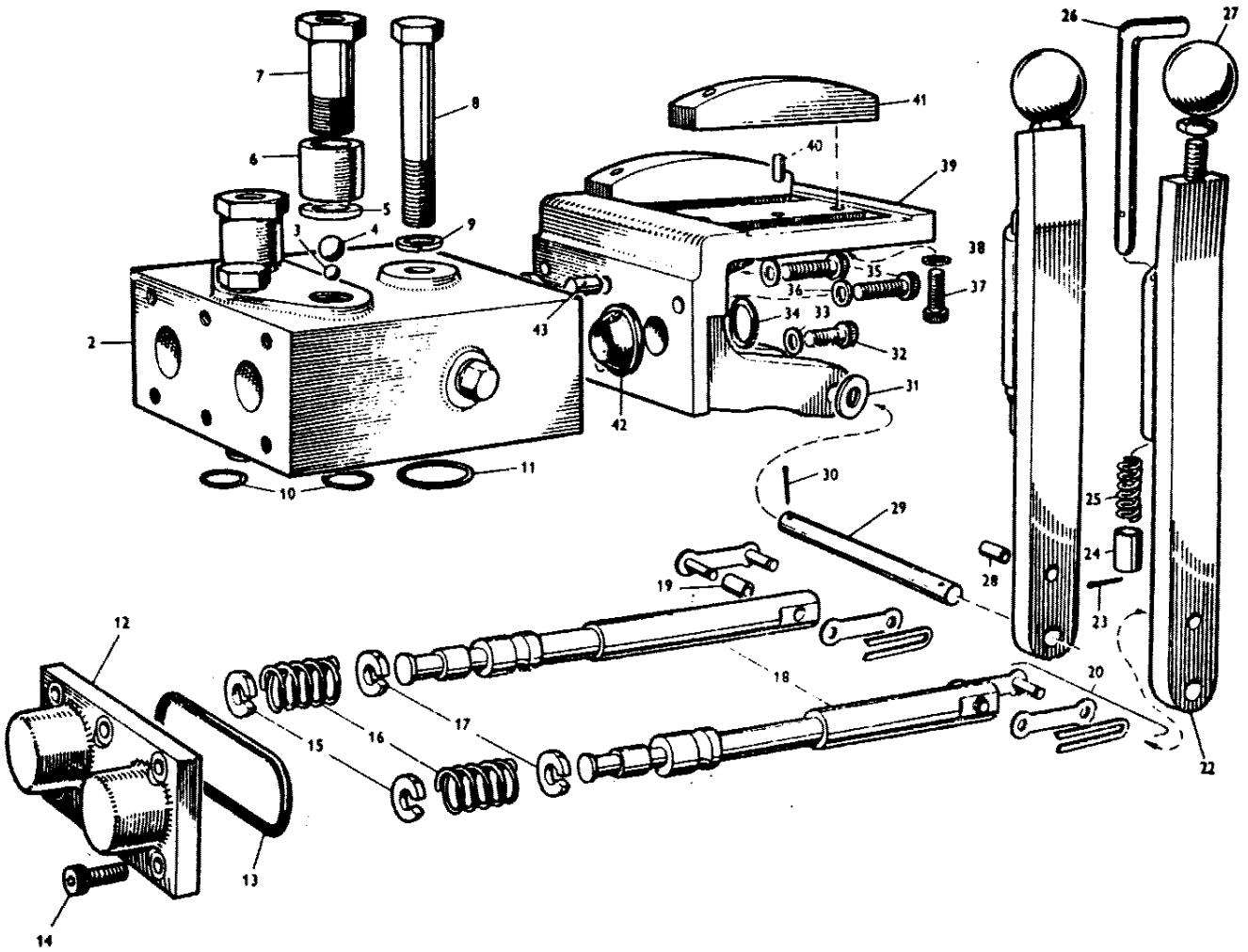




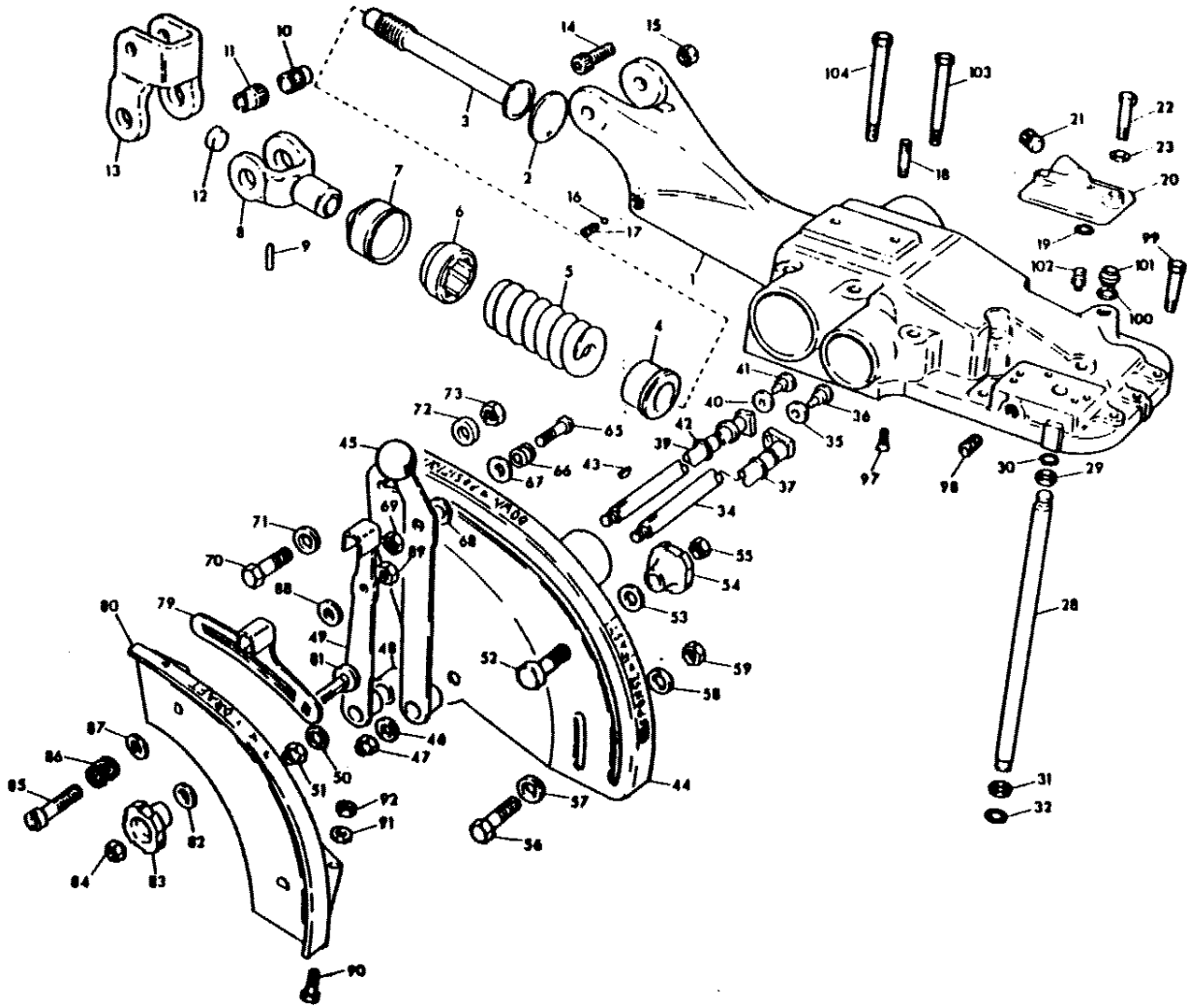
CPO.4247



DUAL SPOOL VALVE

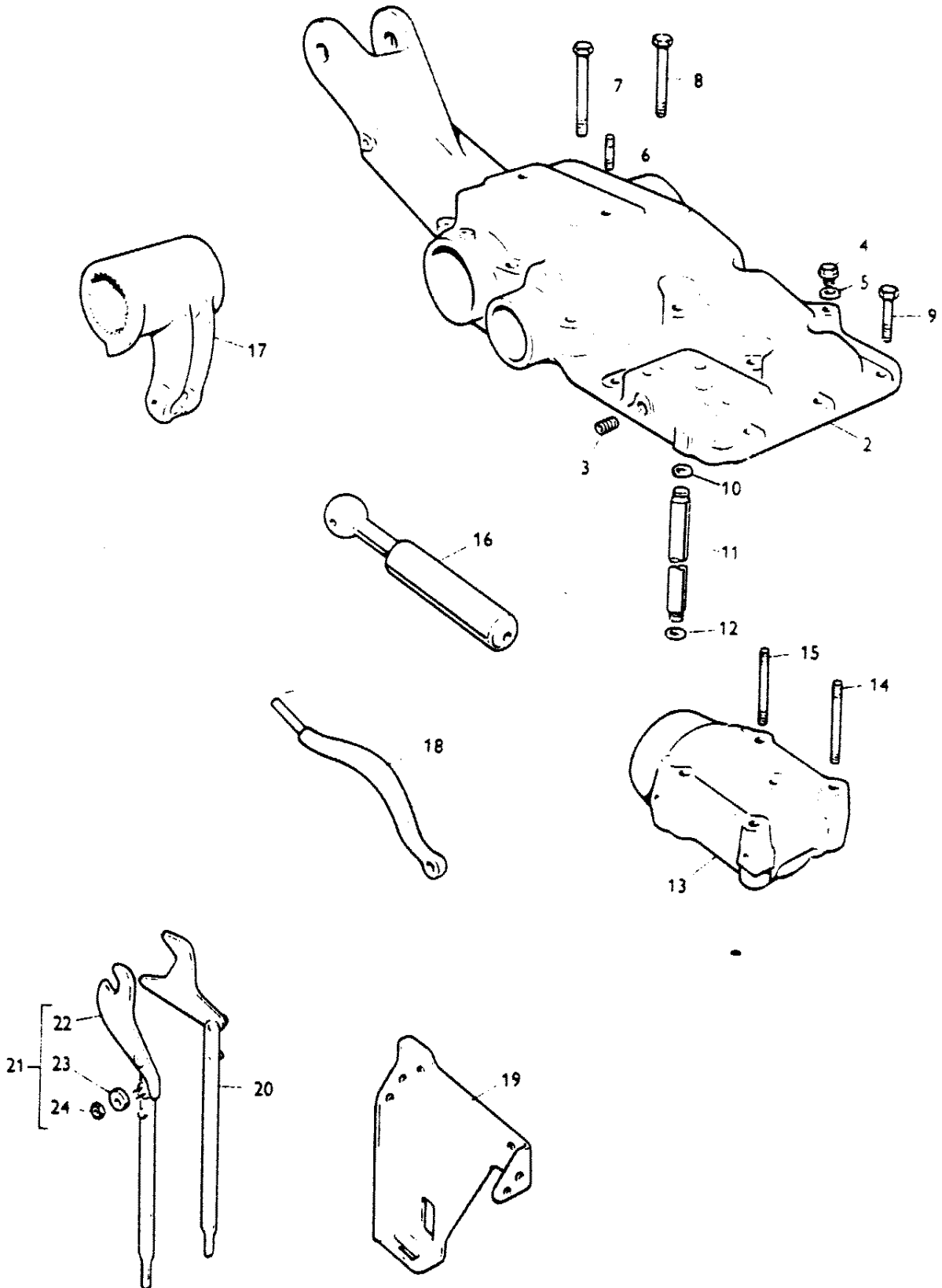


HYDRAULIC LIFT COVER



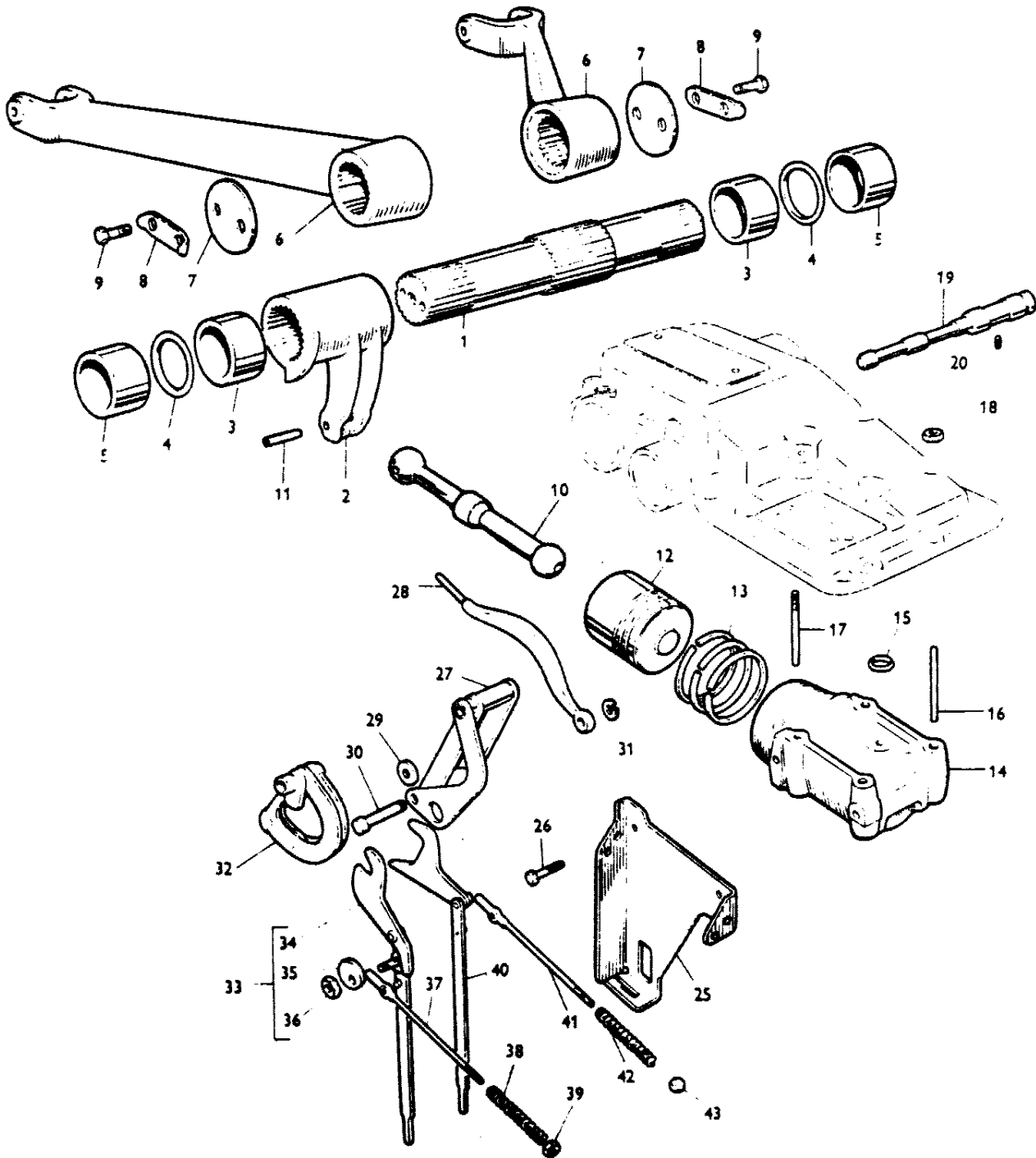
HYDRAULIC LIFT COVER, HEAVY DUTY, CONVERSION

CPO.0583



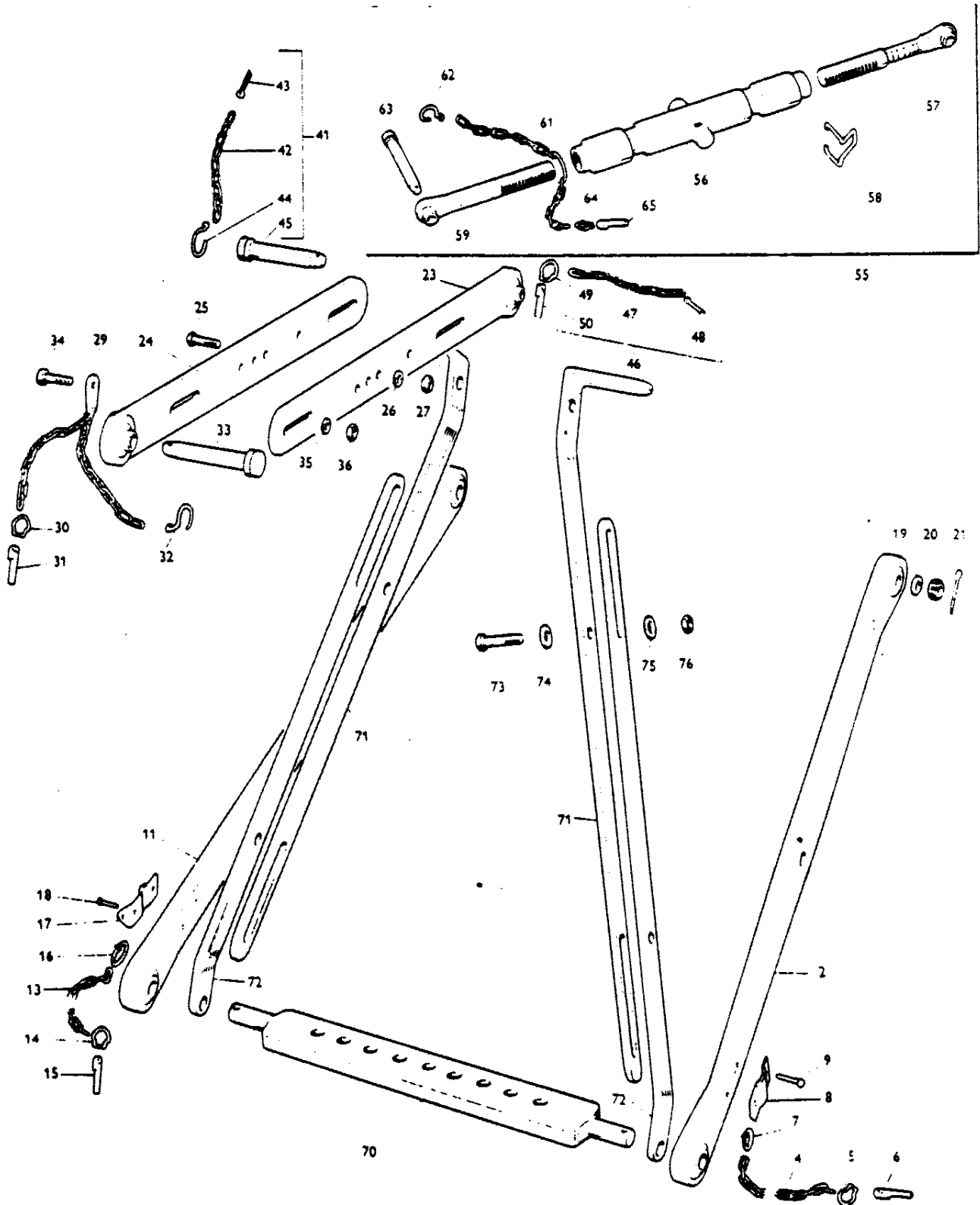
LIFT ARMS

CTP.27/3

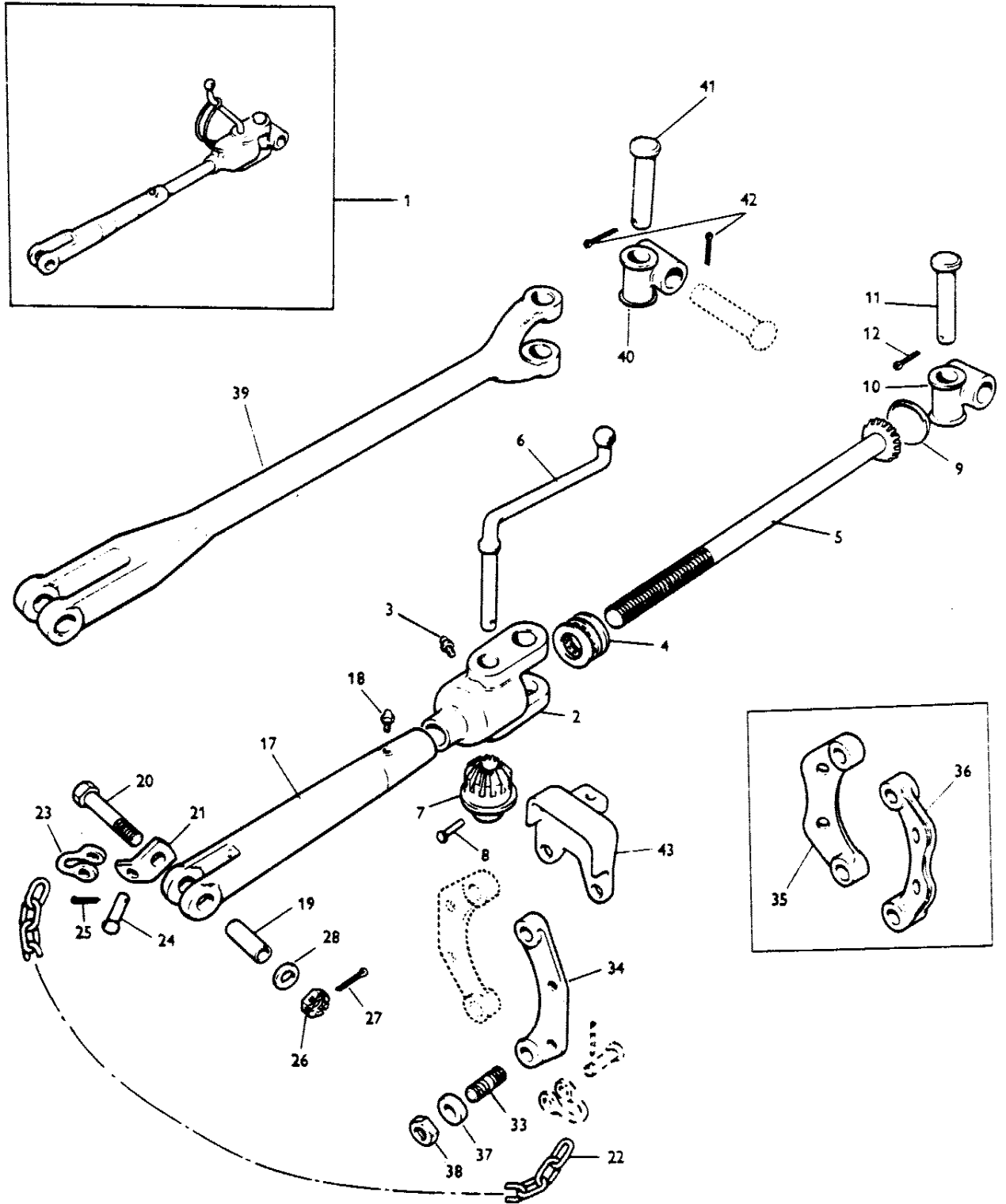


UPPER AND LOWER LINKS, LOW CLEARANCE

CTP.29/3

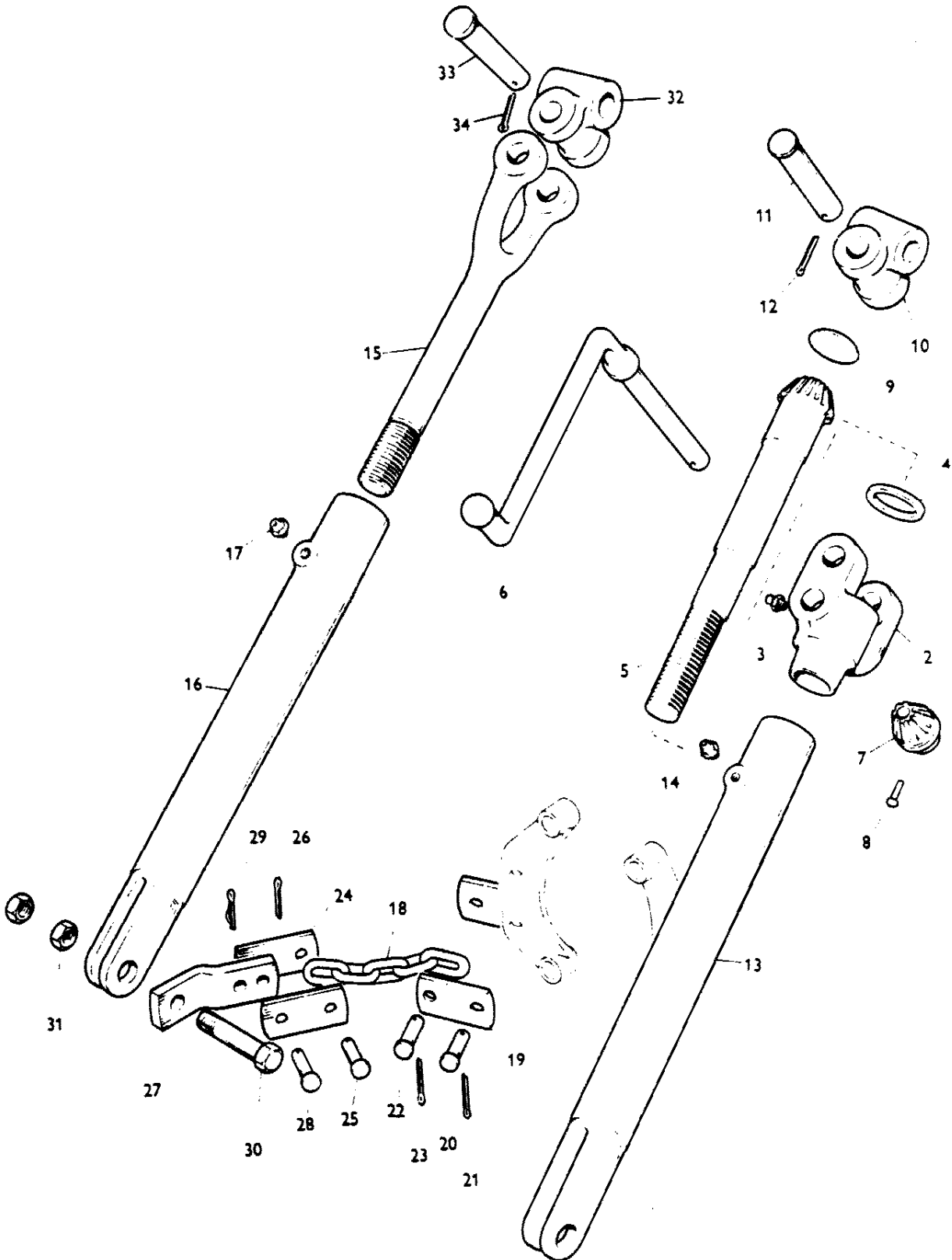


CPO.4256



LEVELLING BOX - UNIVERSAL

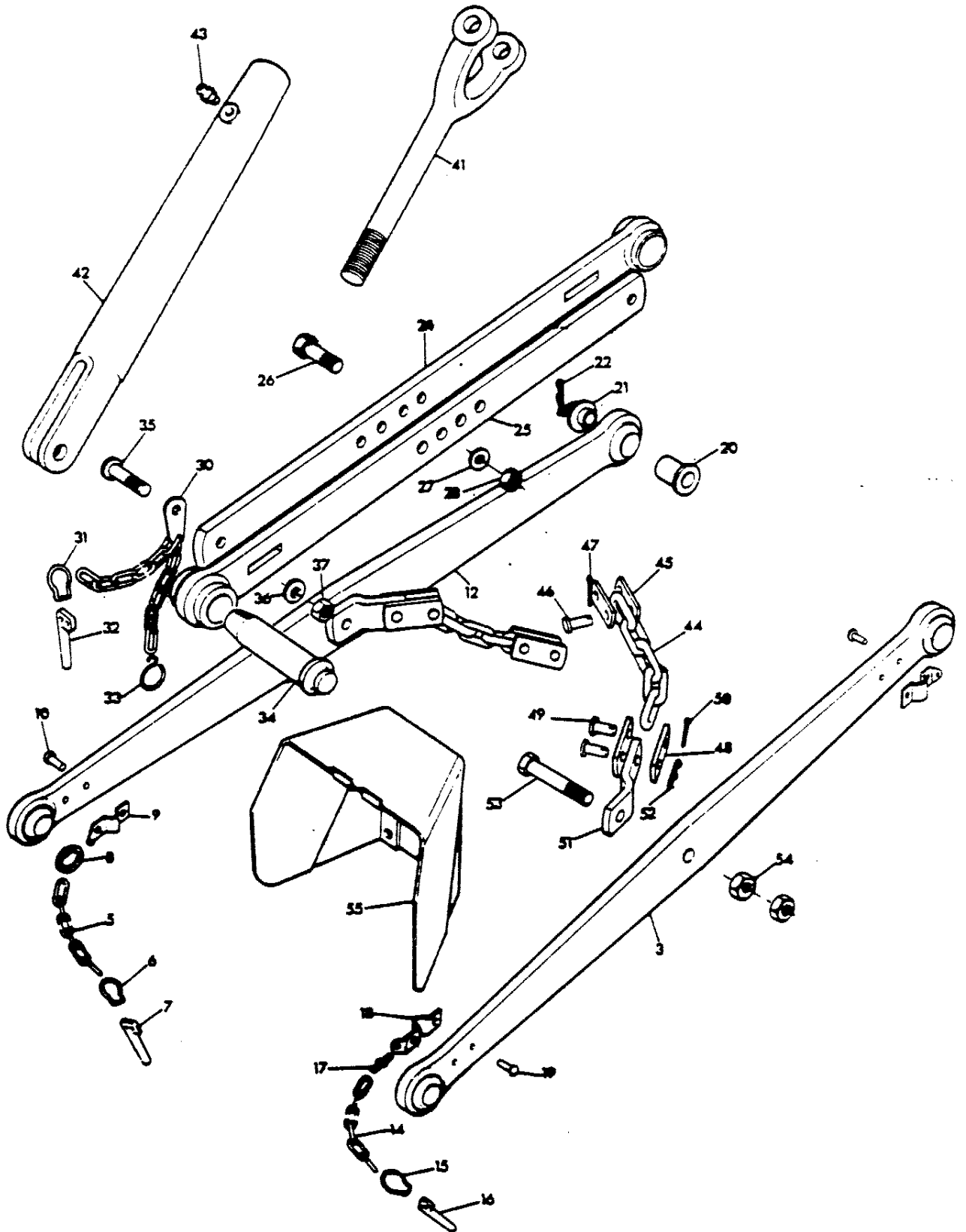
CPO.4257





UNIVERSAL LINKAGE KIT

CPO. 4258/1

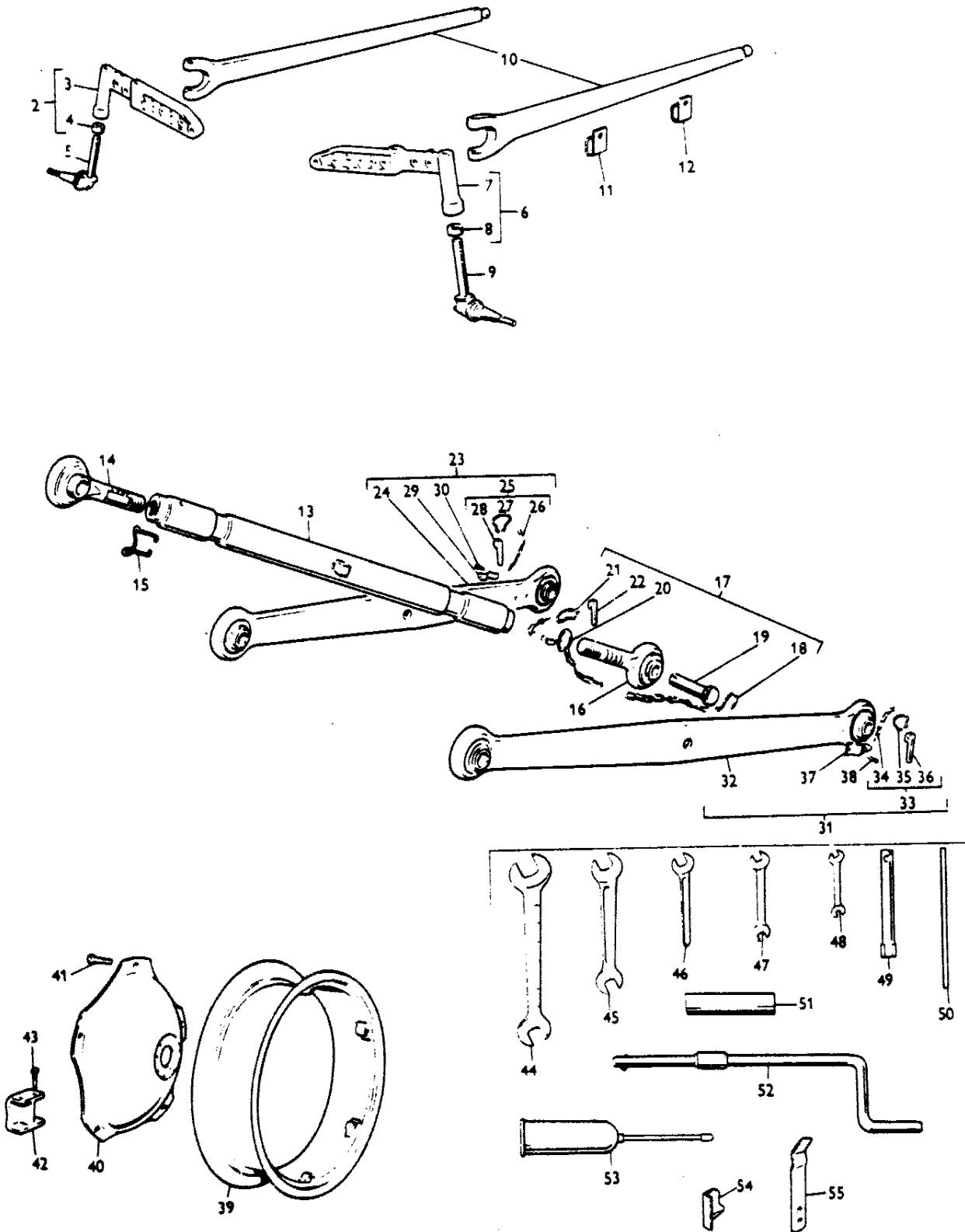


25 and 25V Through

D/010 04E M3 (Series 2) 9/75

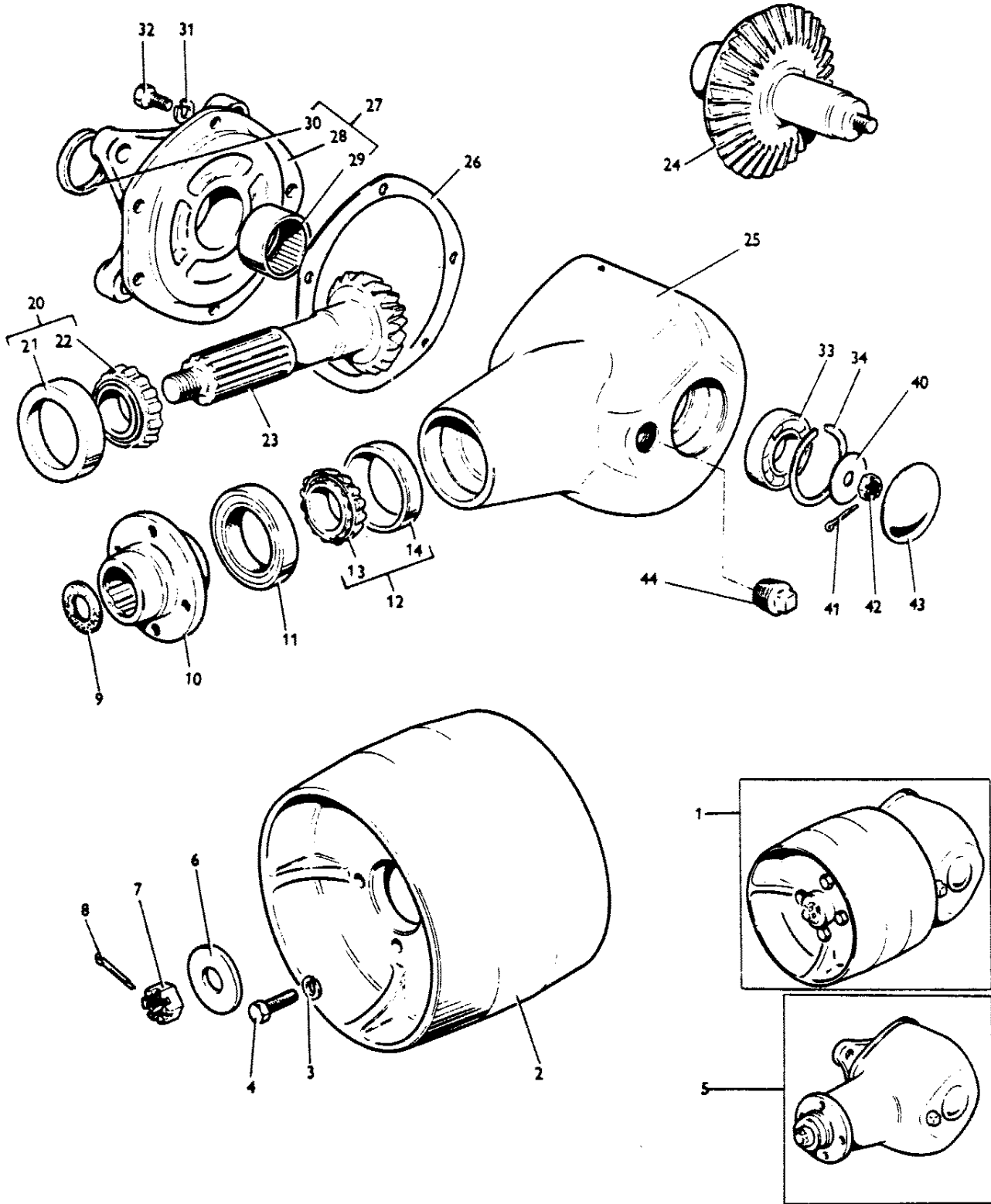
HIGH CLEARANCE CONVERSION KITS

CPO.4337

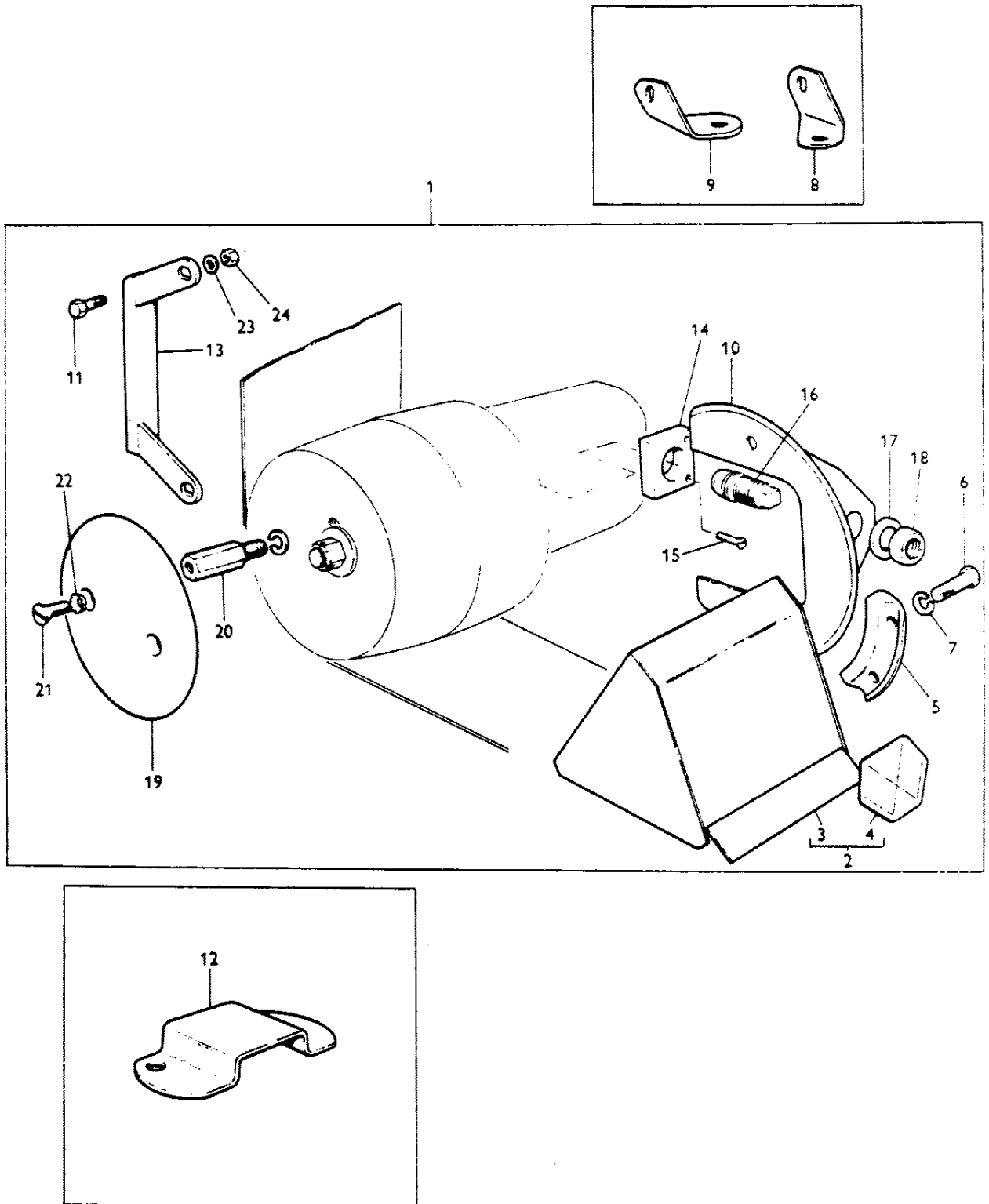


PULLEY ATTACHMENT

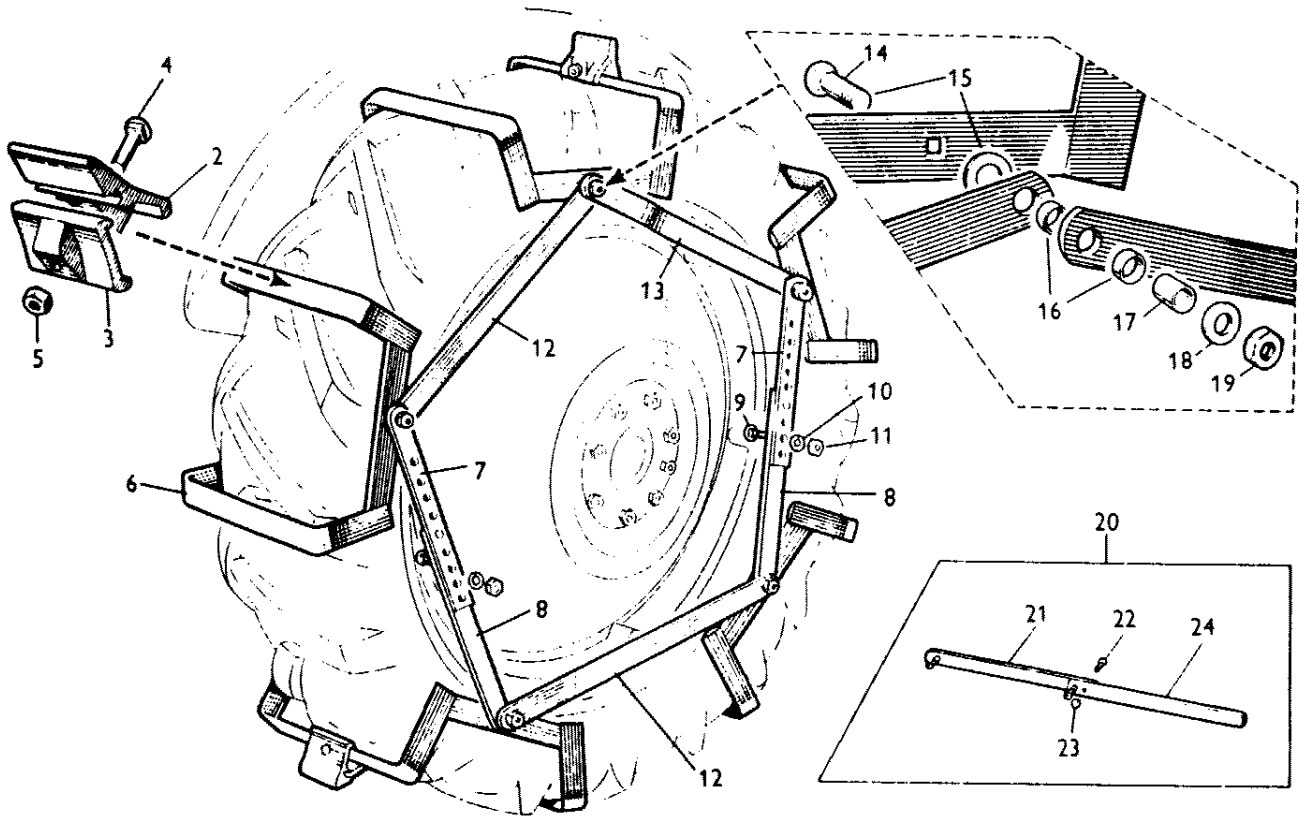
CPO. 4399



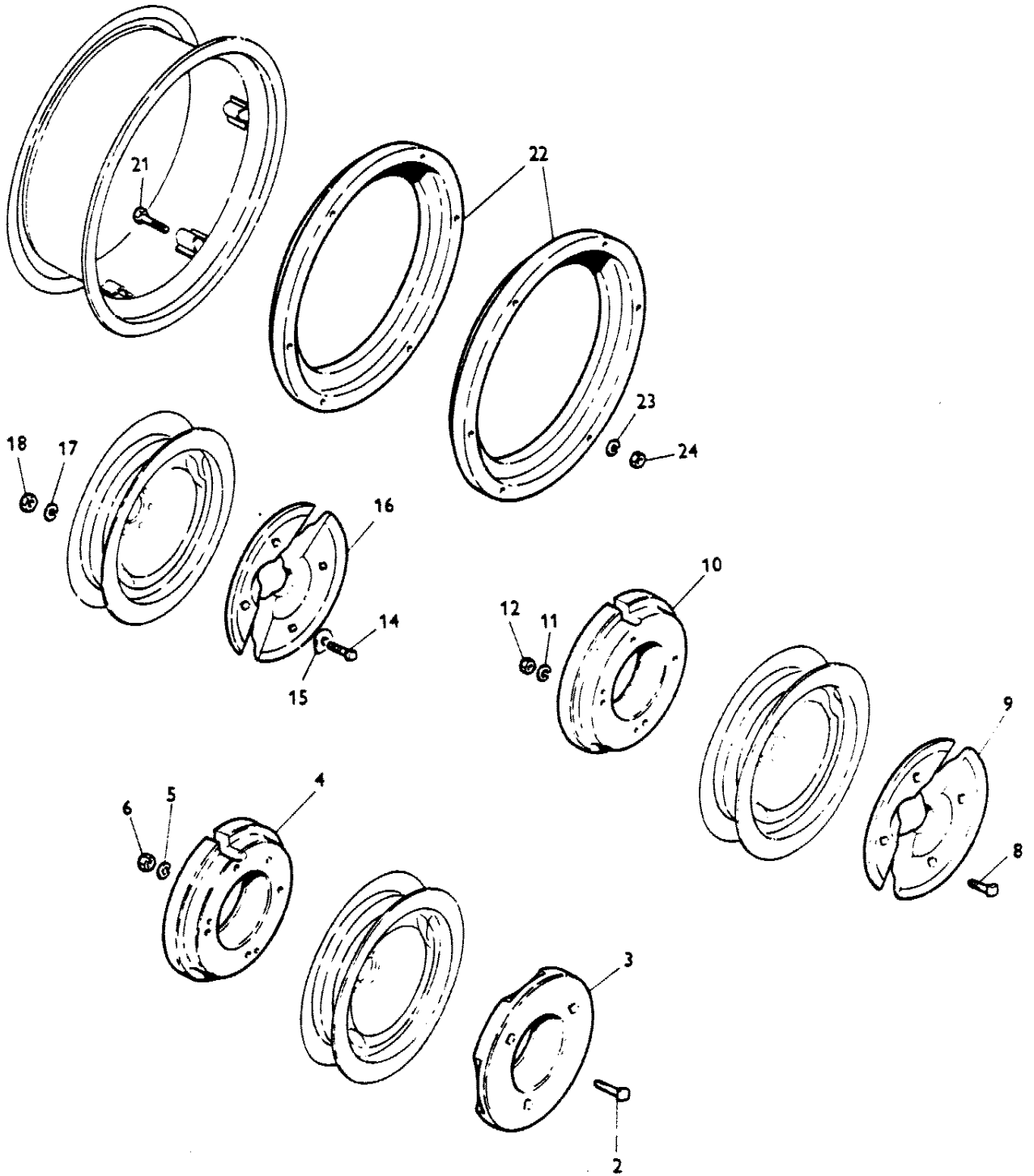
CPO.3120



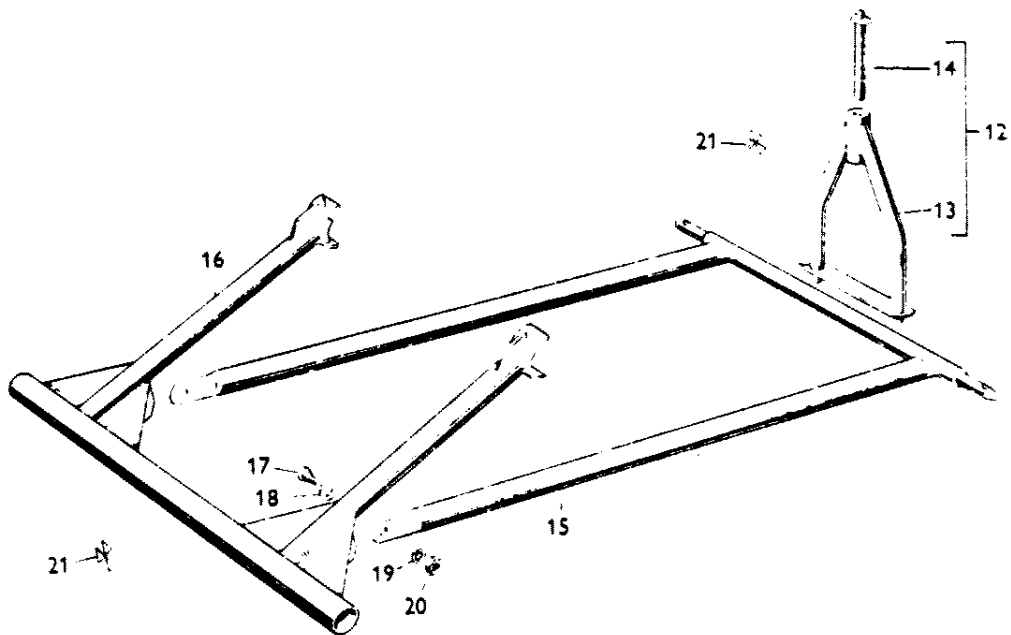
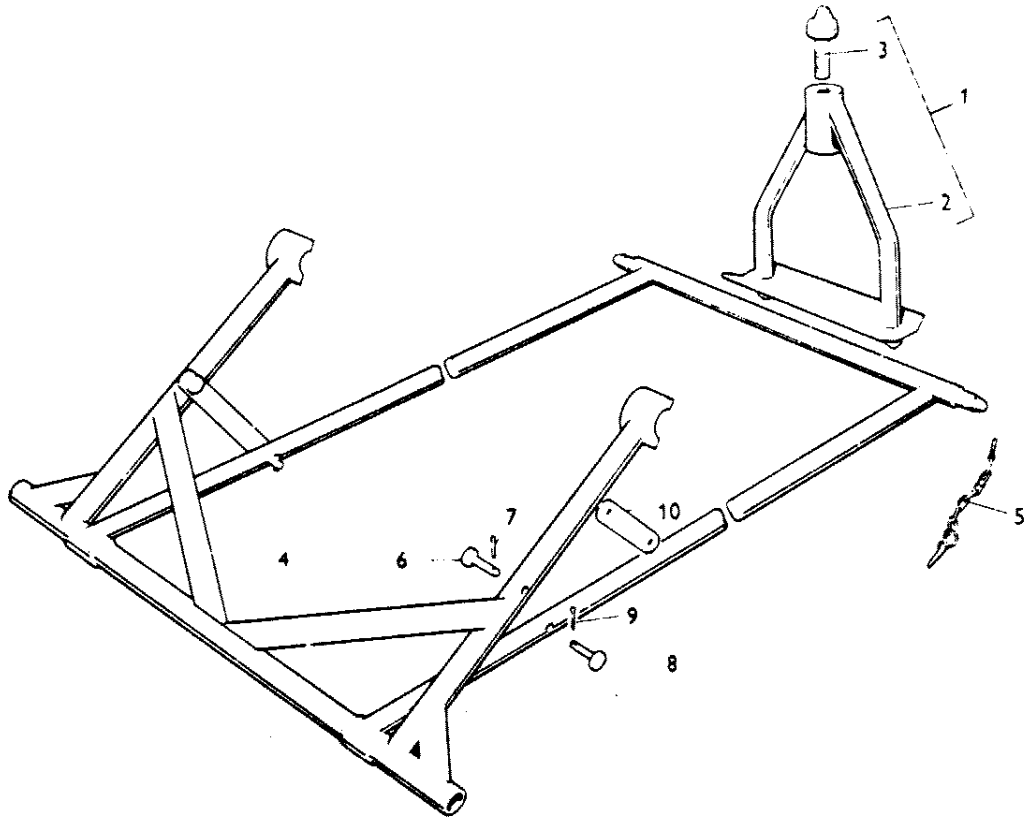
REAR WHEEL GIRDLES



CFO.4395

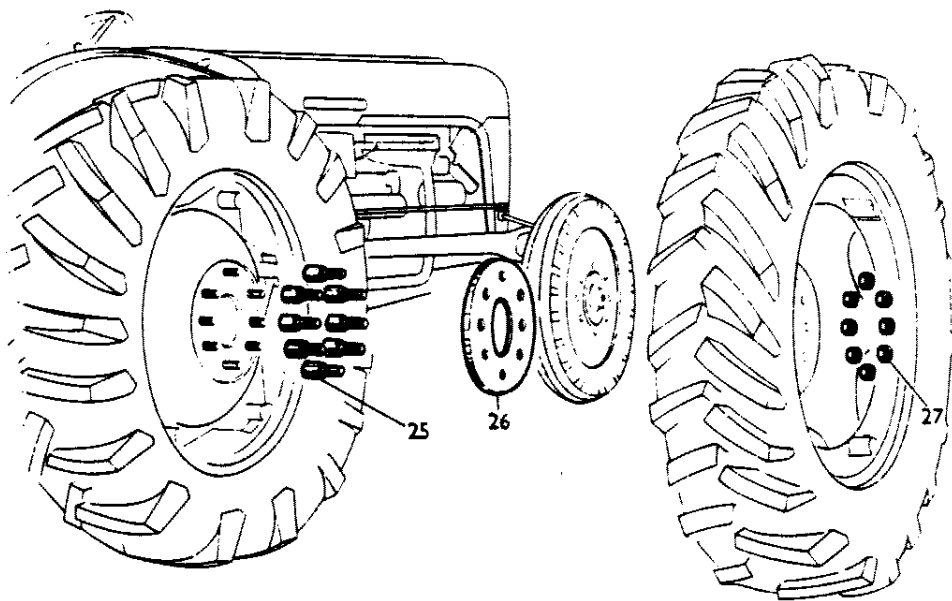
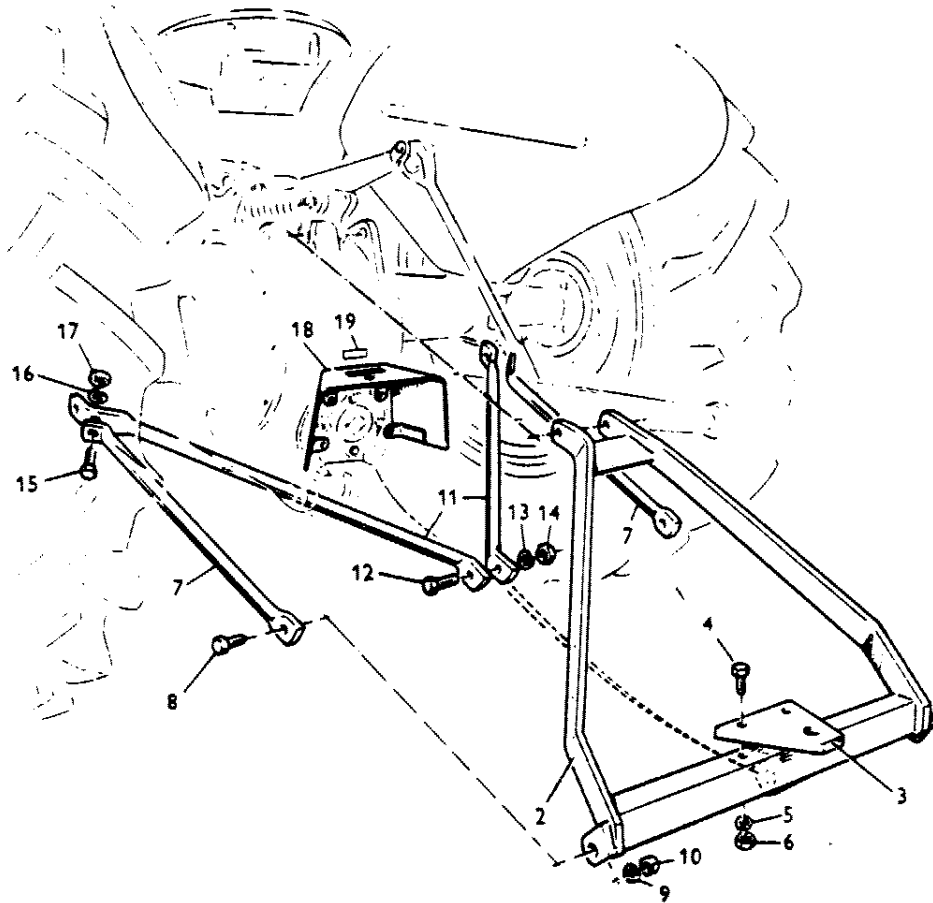


CPO.4208



TRAILED IMPLEMENT HITCH  
(EARLY MODELS)

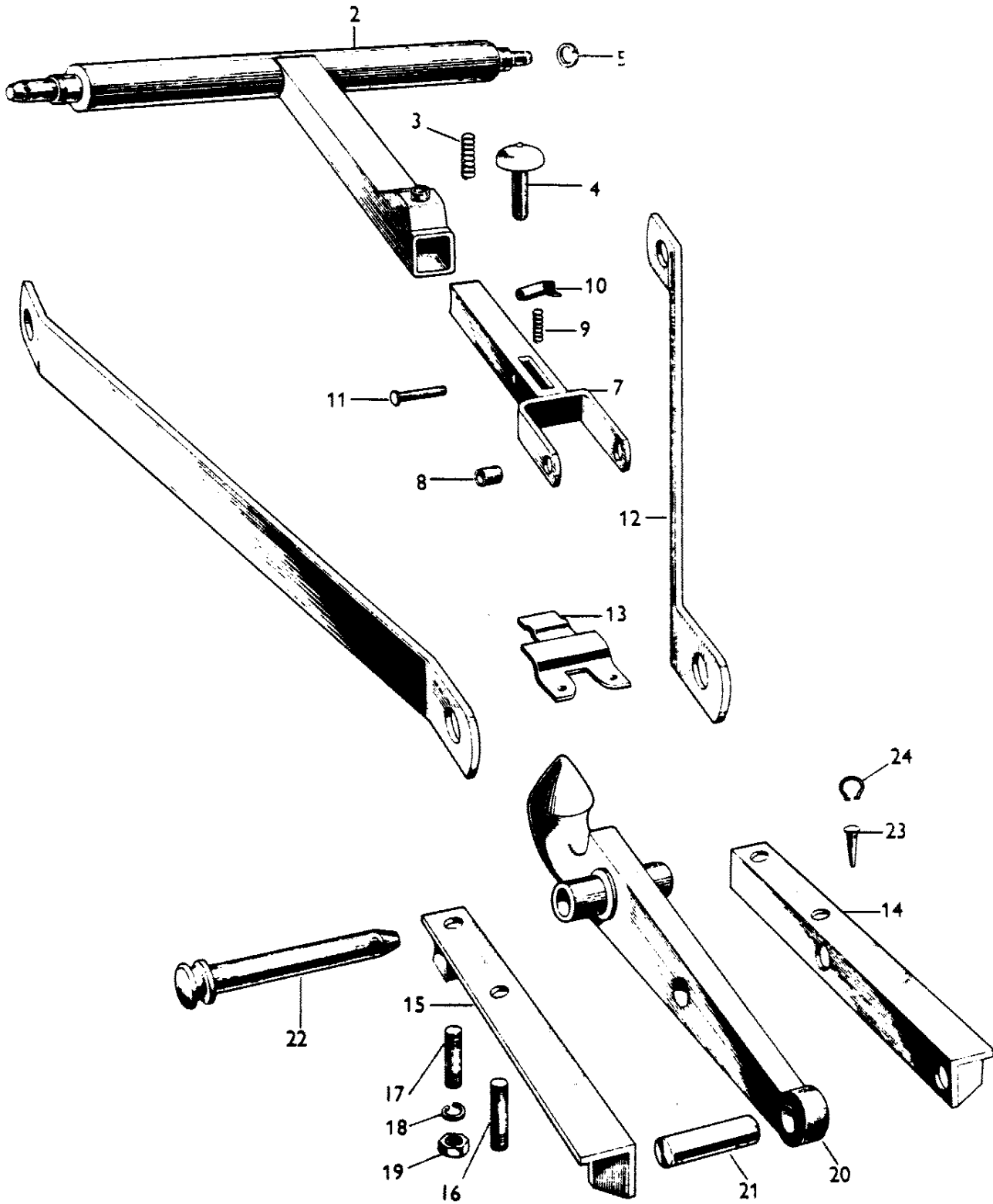
CPO.4336





AUTOMATIC HITCH  
(UP TO SERIAL NO. M.34303)

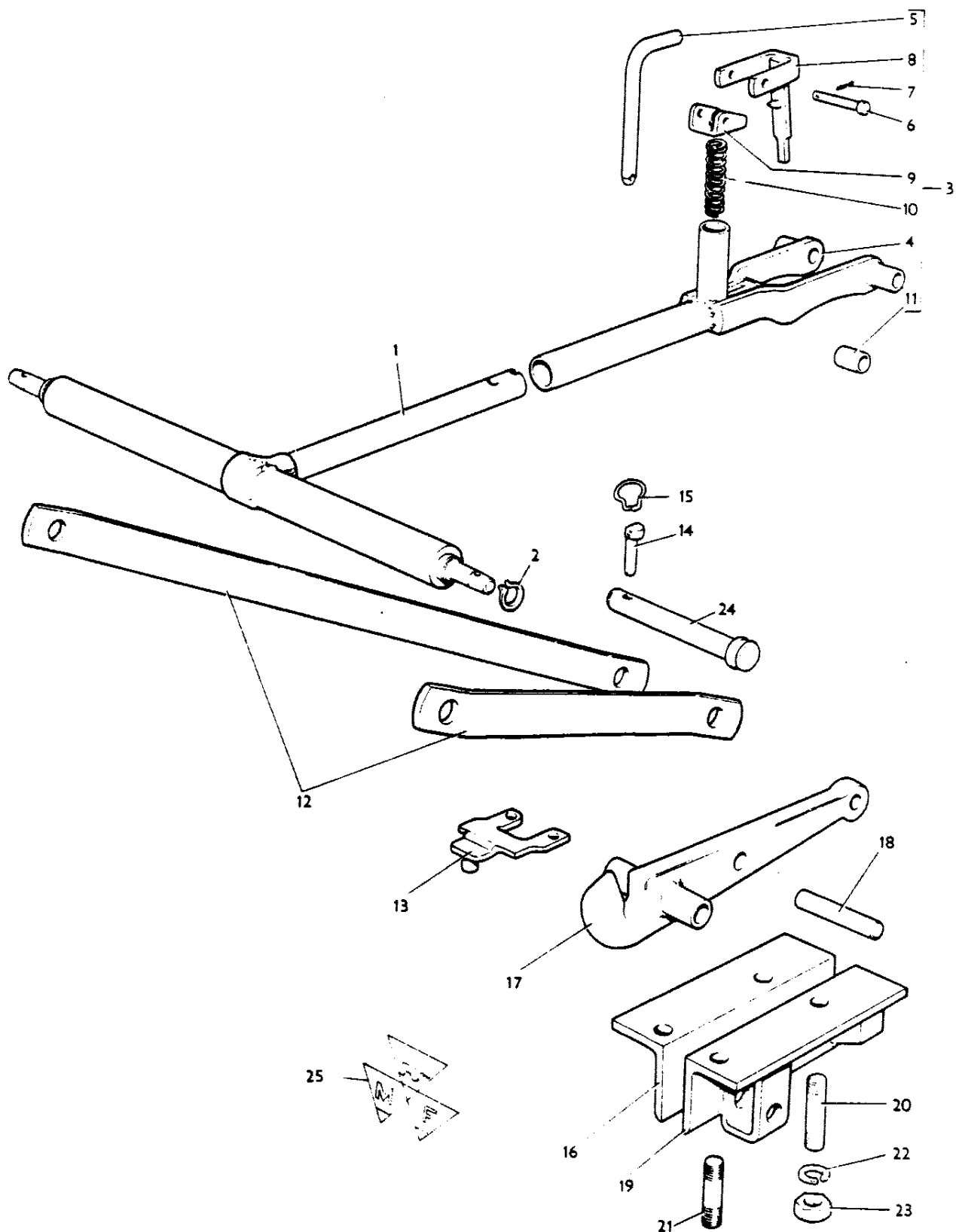
CTP.104/1



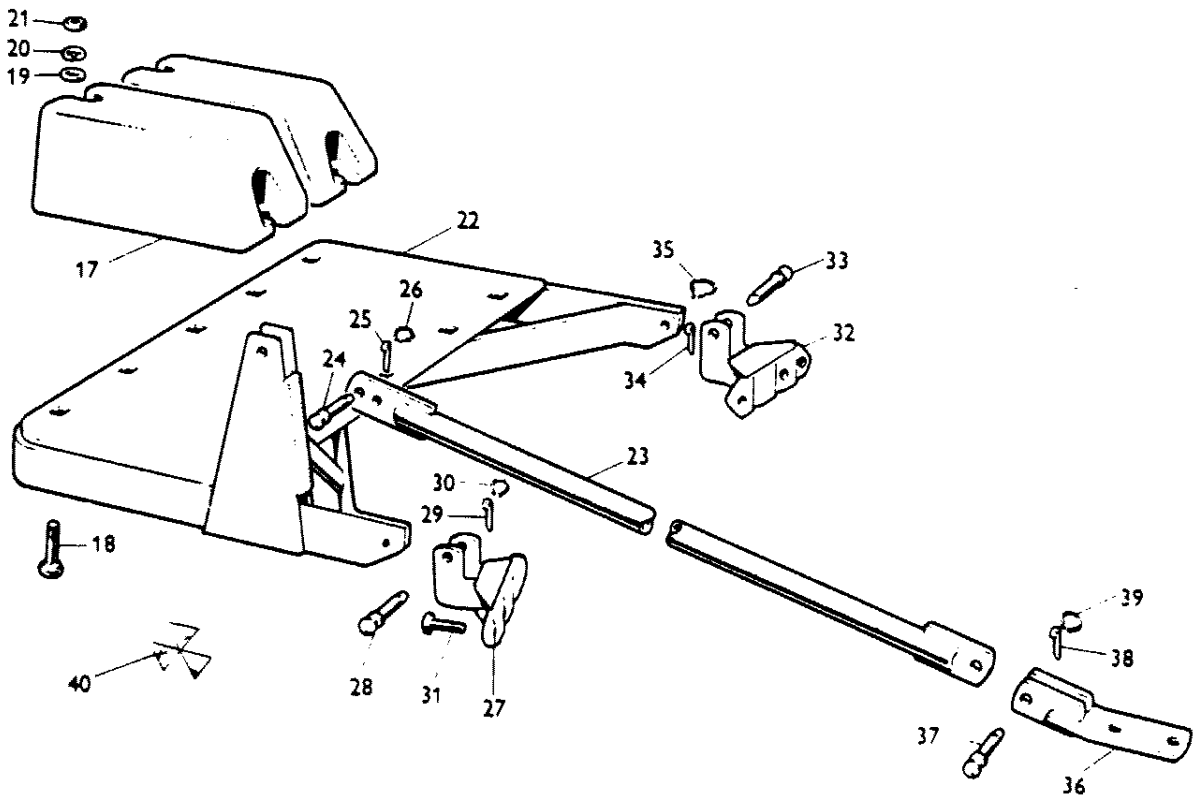
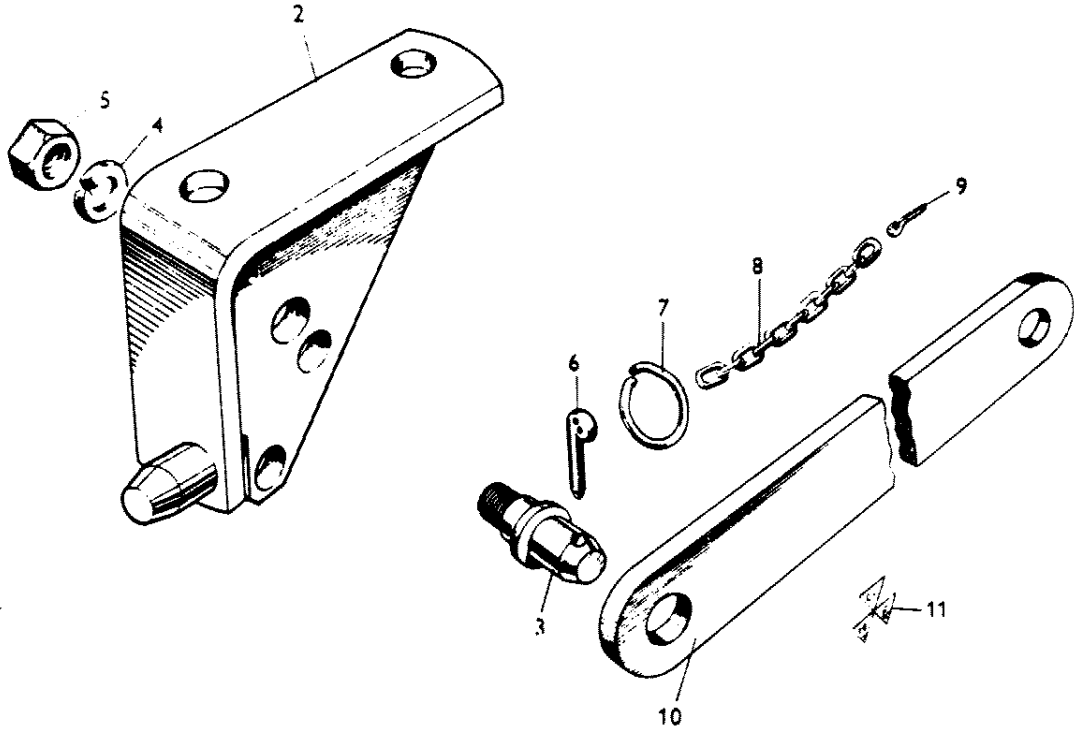
AUTOMATIC HITCH  
(FROM SERIAL NO. M 34304)

271

CPO.4372

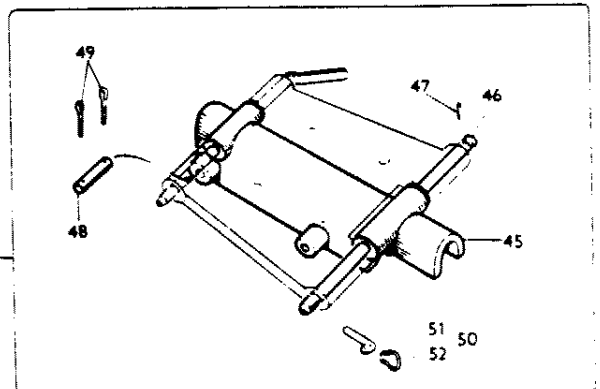
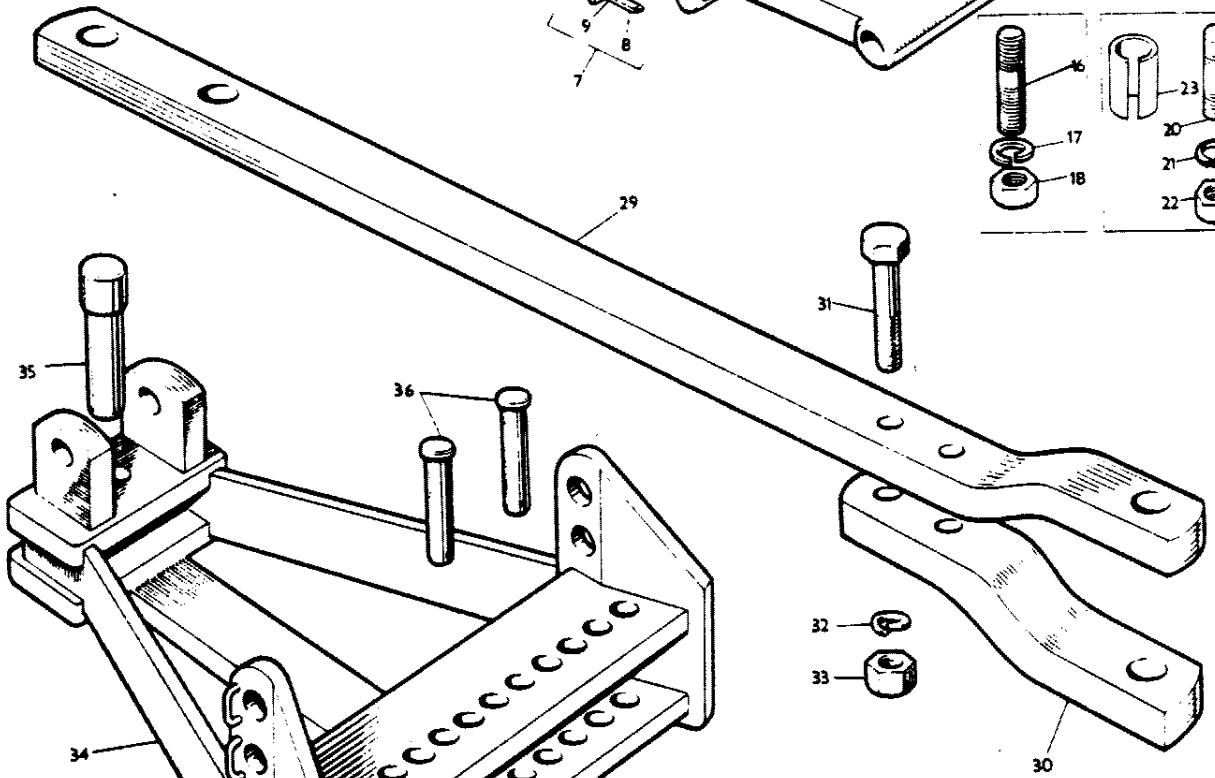
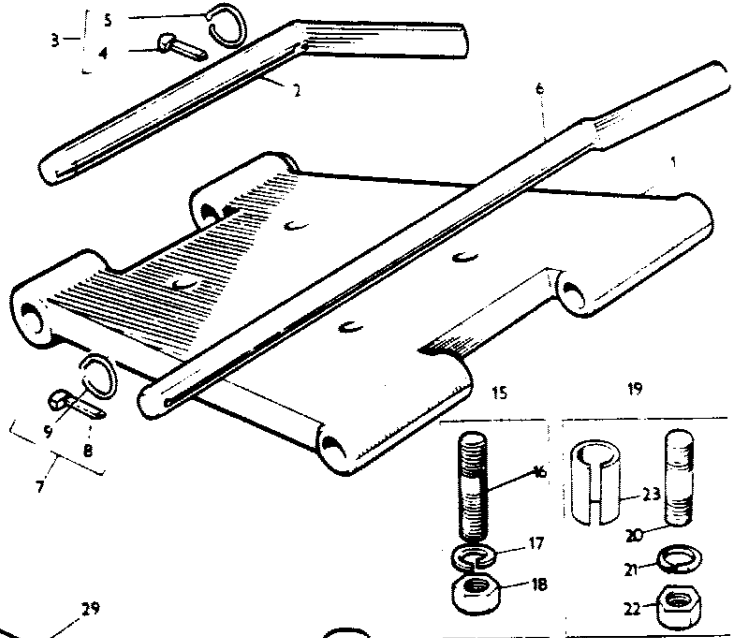
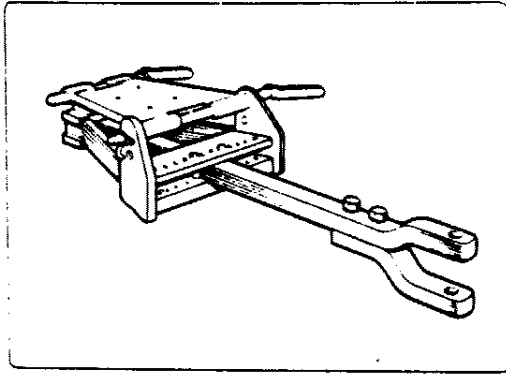


CFO.4373

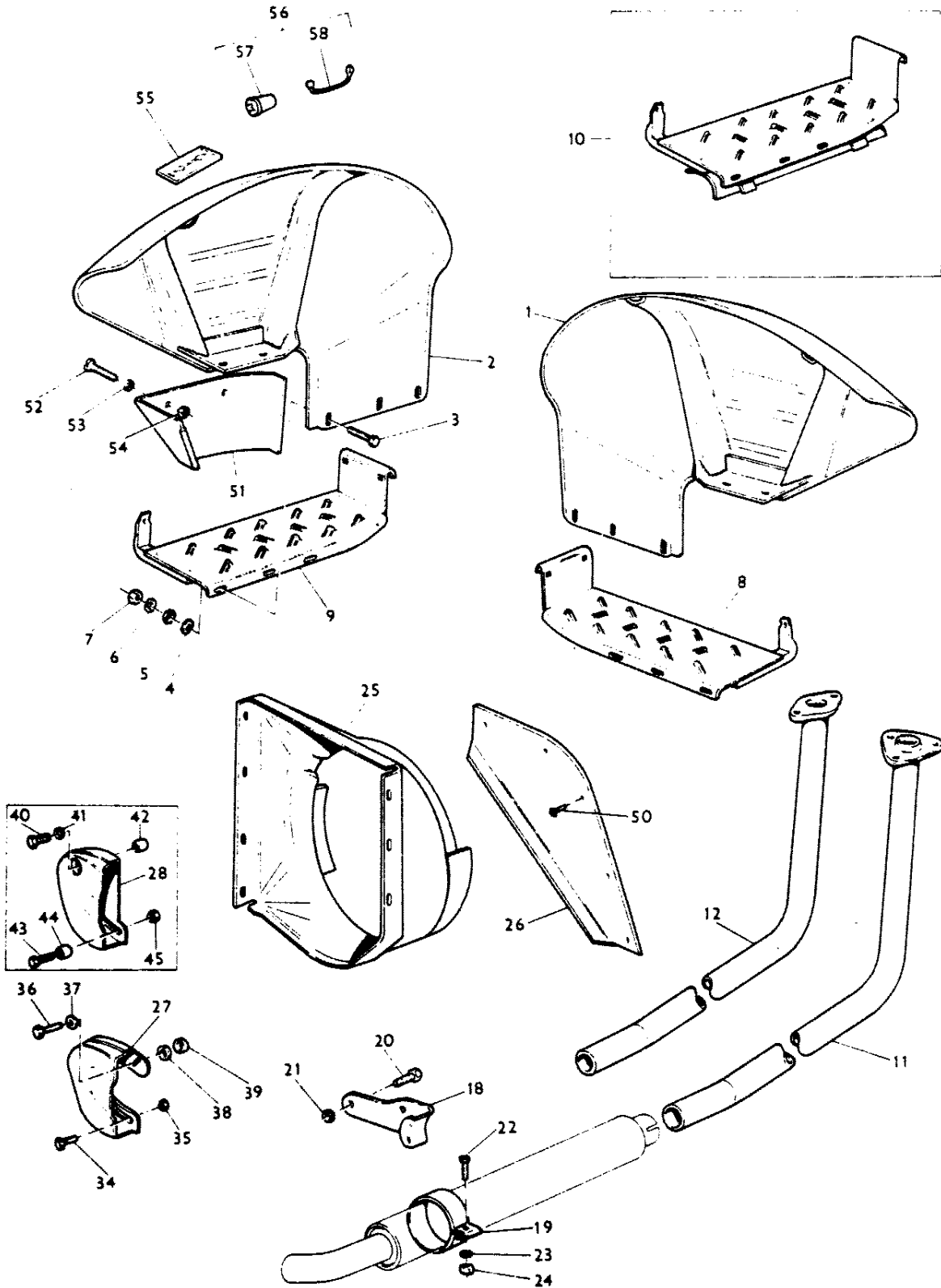


SWINGING DRAWBAR

CPO.4374

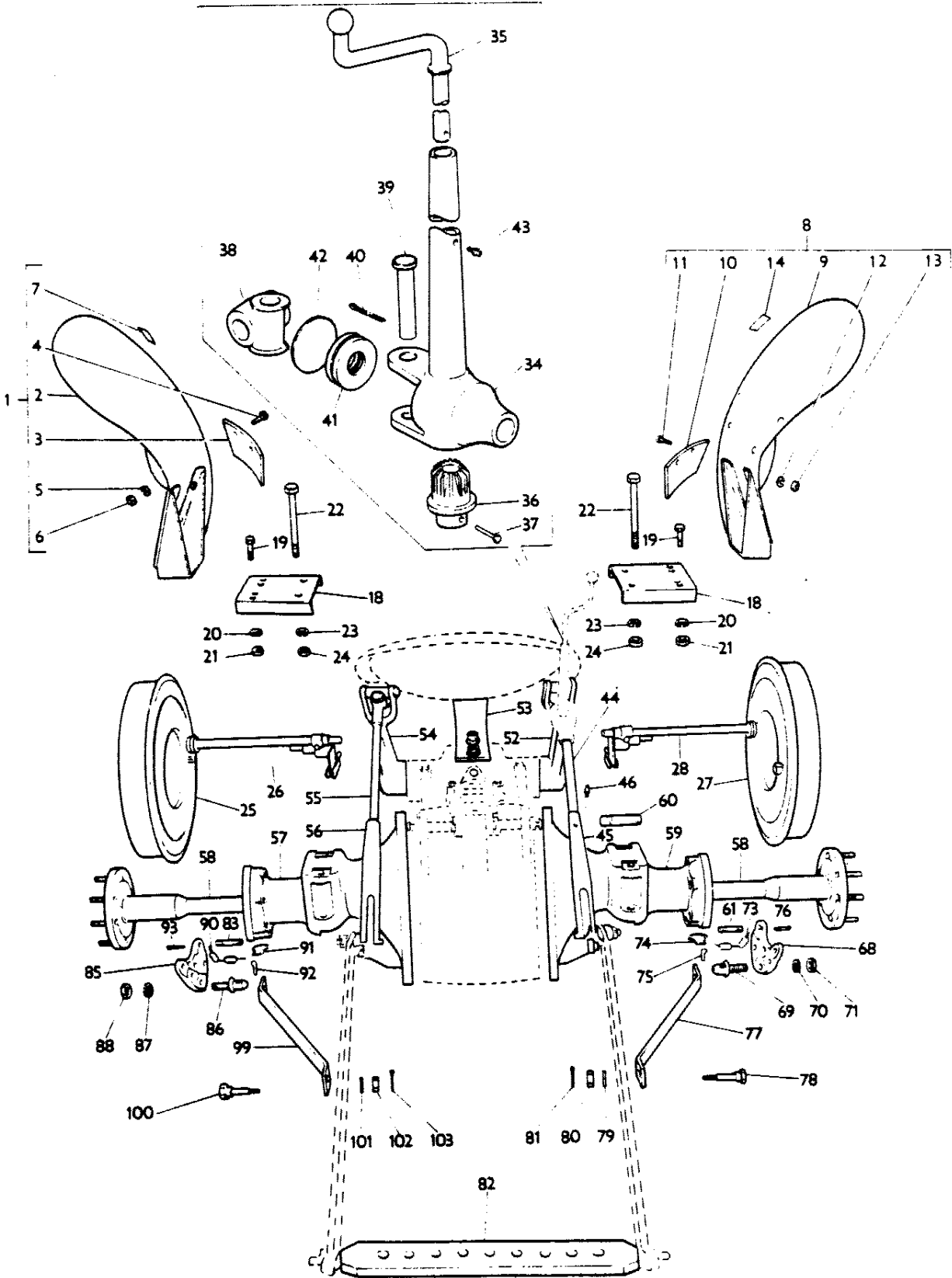


CPO.4239



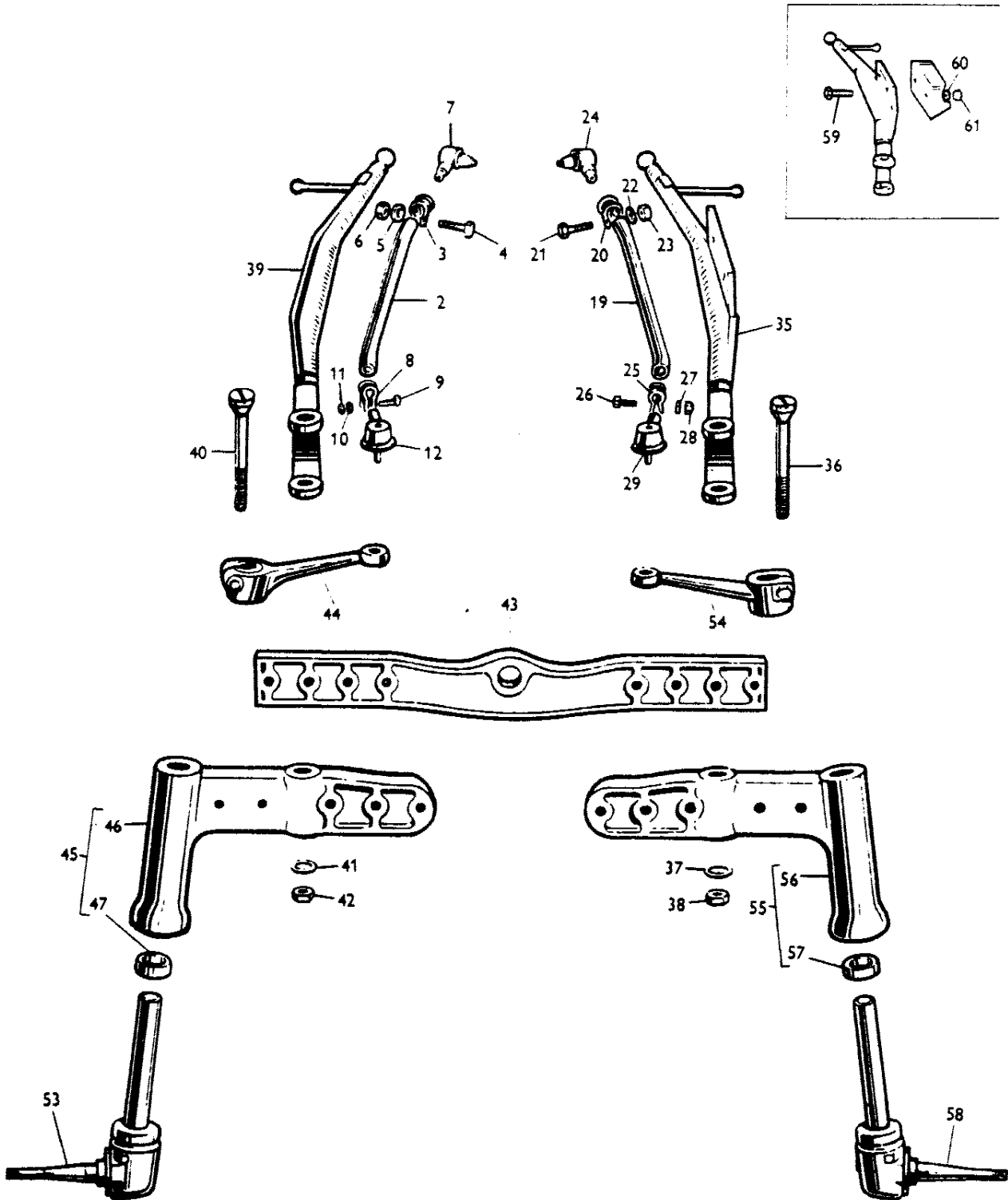
REAR END DETAILS  
VINEYARD TRACTOR - (PECULIAR PARTS)

CPO.0399/1



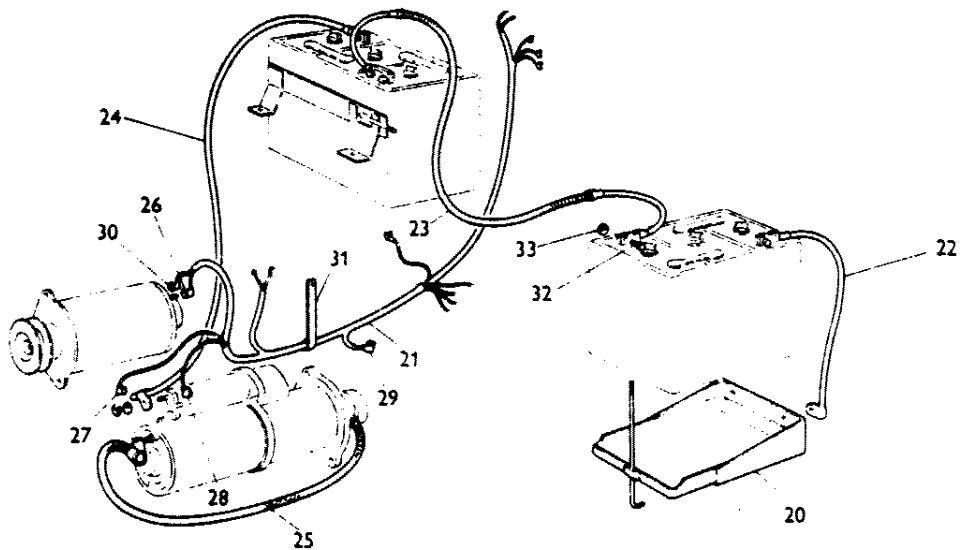
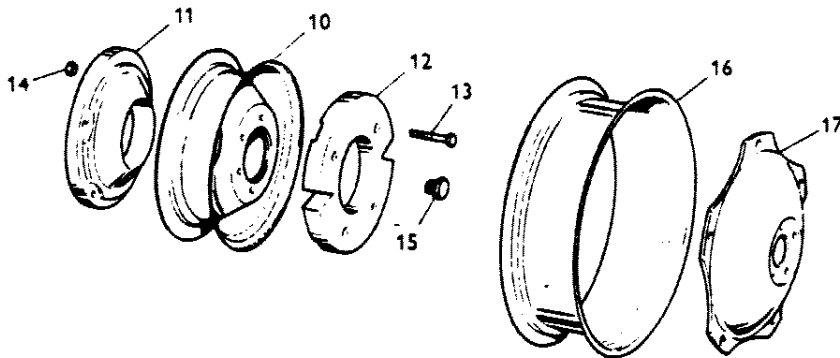
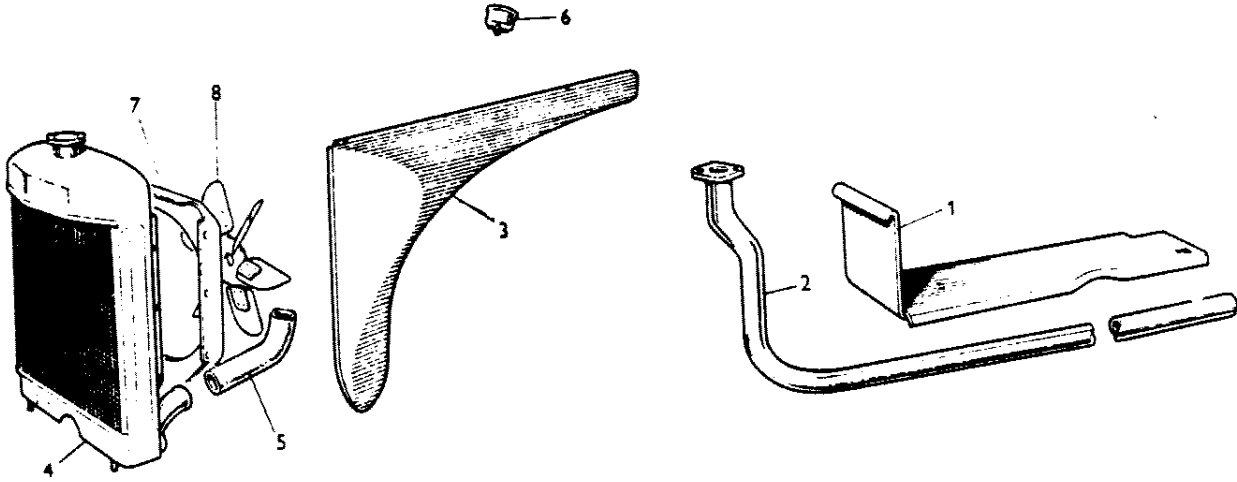
FRONT AXLE  
VINEYARD TRACTOR-(PECULIAR PARTS)

CPO.0465/2



RADIATOR, STEP AND EXHAUST  
VINEYARD TRACTORS - (PECULIAR PARTS)

CPO.0463/2





DRAFT AND POSITION CONTROL QUADRANT  
VINEYARD TRACTOR - (PECULIAR PARTS)

