

''20'' TRACTOR PARTS LIST

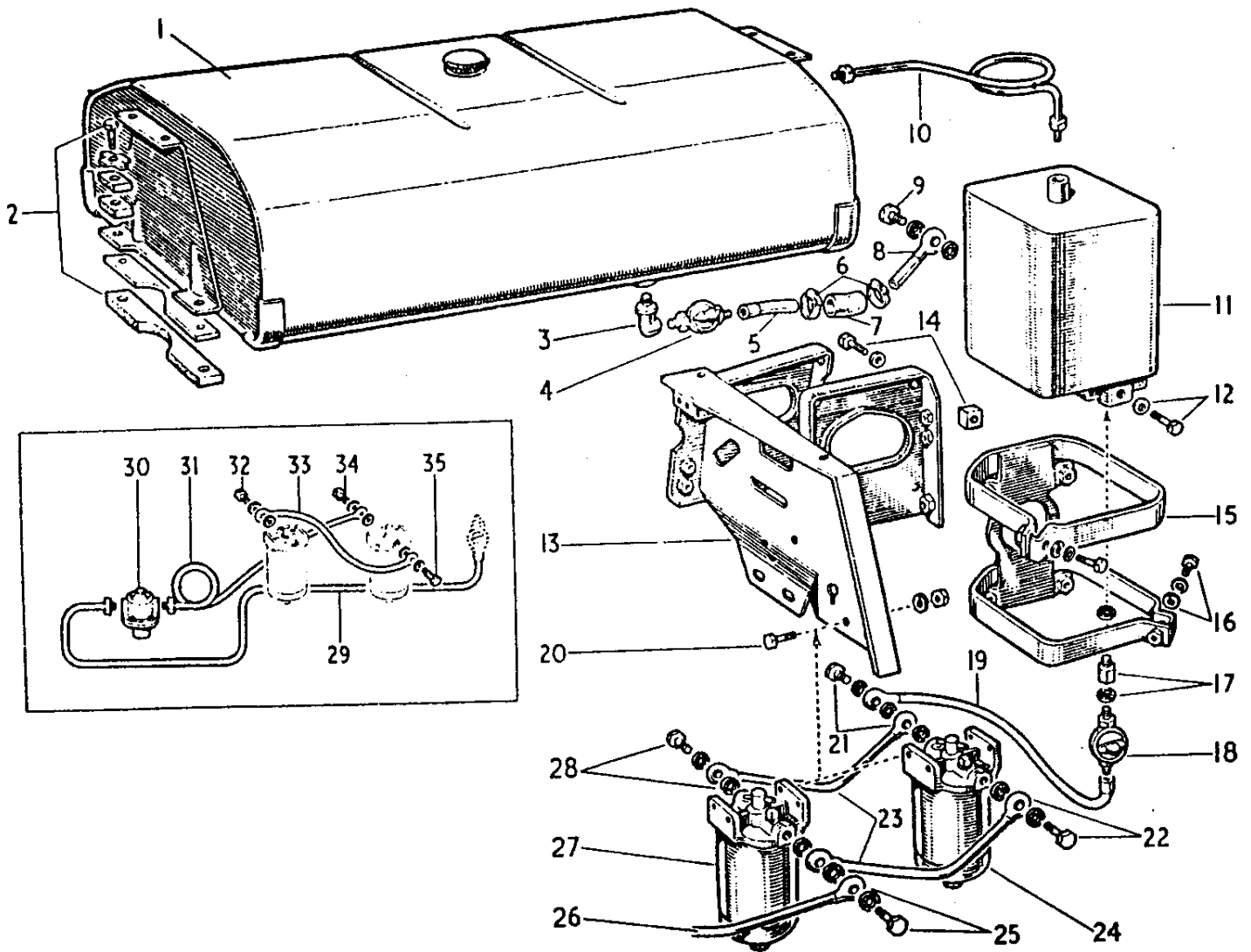


FIG. 57

AGCO Corporation
Parts List Report

Massey Ferguson (Europe)

TE 20 TRACTOR

Page 194 - FUEL TANKS AND SUPPLY LINES

Item	Part Number	Qty	Part Description	Comments
1	2515	1	Fuel Tank	Not Serviced, Order 500830
	500830	1	Reservoir	
	189T	1	Filler	
2	102727	2	Pad	8-3/4" LONG
	2543	2	Plate	9-1/4" LONG (FOR 2515)
	826785M1	4	Packing	1-1/2" LONG
	2131	4	Plate	1-1/2" LONG
	826786M1	4	Washer	
	BH0812P	4	Bolt	(FOR 2515)
	2679	3	Bolt	(FOR 500830)
	353519X1	1	Screw Unf	(FOR 500830)
3	2539	1	Elbow	
	WF0531	AR	Washer	
4	102815	1	Cock	
5	102249	1	Fuel Pipe	*
	107301	1	Fuel Pipe	(+)
	105847	1	Nut	(+)
6	CS4009	2	Clamp	(+)
7	107303	1	Water Hose	(+)
8	107304	1	Fuel Pipe	(+)
9	825205M1	1	Screw	*
	107306	1	Union	(+)
	825294M1	1	Washer	*
	825293M1	2	Washer	1 OFF UP TO 344913
10	102799	1	Pipe	
11	112162	1	Tank	INCL. 107922
12	103196	1	Union	Up to Serial or Engine Number 359,782
	59886	1	Washer	From Serial or Engine Number 359,783
	107922	1	Plug	From Serial or Engine Number 359,783
				*
				Up to Serial or Engine Number 344,913
				(+)
				344,914 AND FUTURE
13	300443	1	Bearer	*
14	353517X1	4	Screw Unf	
	353446X1	4	Lock Washer	
	102277	4	Bumper	88" X 88"
15	200850	1	Bearer	

16	353521X1	2	Bolt Unf	
	353446X1	2	Lock Washer	
	353755X1	2	Washer	
17	102501	1	Extension	
	825291M1	AR	Washer	
	825294M1	1	Washer	
18	102815	1	Cock	
19	102279	1	Fuel Pipe	*
20	353520X1	2	Bolt Unf	
	353446X1	2	Lock Washer	
	353916X1	2	Nut Unf	
21	103096	1	Screw	*
	825293M1	1	Washer	*
	825291M1	1	Washer	*
22	102213	1	Screw	*
	825293M1	1	Washer	*
	825291M1	1	Washer	*
23	102657	2	Pipe	*
24	102822	1	Filter	See Page/Reference Number FIG. 54
	201524	1	Fuel Filter	See Page/Reference Number FIG. 54A
				*
				Up to Serial or Engine Number 383710
				Up to Serial or Engine Number 383710
25	103096	1	Screw	*
	102213	1	Union Screw	(+)
	825293M1	1	Washer	*
	825291M1	1	Washer	*
26		1	Fuel Pipe	See Page/Reference Number FIG. 46
27	102822	1	Filter	See Page/Reference Number FIG. 54
	201524	1	Fuel Filter	See Page/Reference Number FIG. 54A
28	102213	1	Screw	*
	825293M1	1	Washer	*
	825291M1	1	Washer	*
29	202095	1	Pipe	(+)
30	826154M91	1	Pump	(+)
	826155M1	1	Gasket	(+)
31	108764	1	Pipe	(+)
32	102213	1	Union Screw	(+)
	825293M1	1	Washer	(+)
	825291M1	1	Washer	(+)
33	103065	1	Tube	(+)
34	102213	1	Union Screw	(+)
	825293M1	1	Washer	(+)
	825291M1	1	Washer	(+)
35	102213	1	Union Screw	(+)
	825293M1	1	Washer	(+)

825291M1

1

Washer

(+)

*

Up to Serial or Engine Number 383,710

(+)

383,711 AND FUTURE
