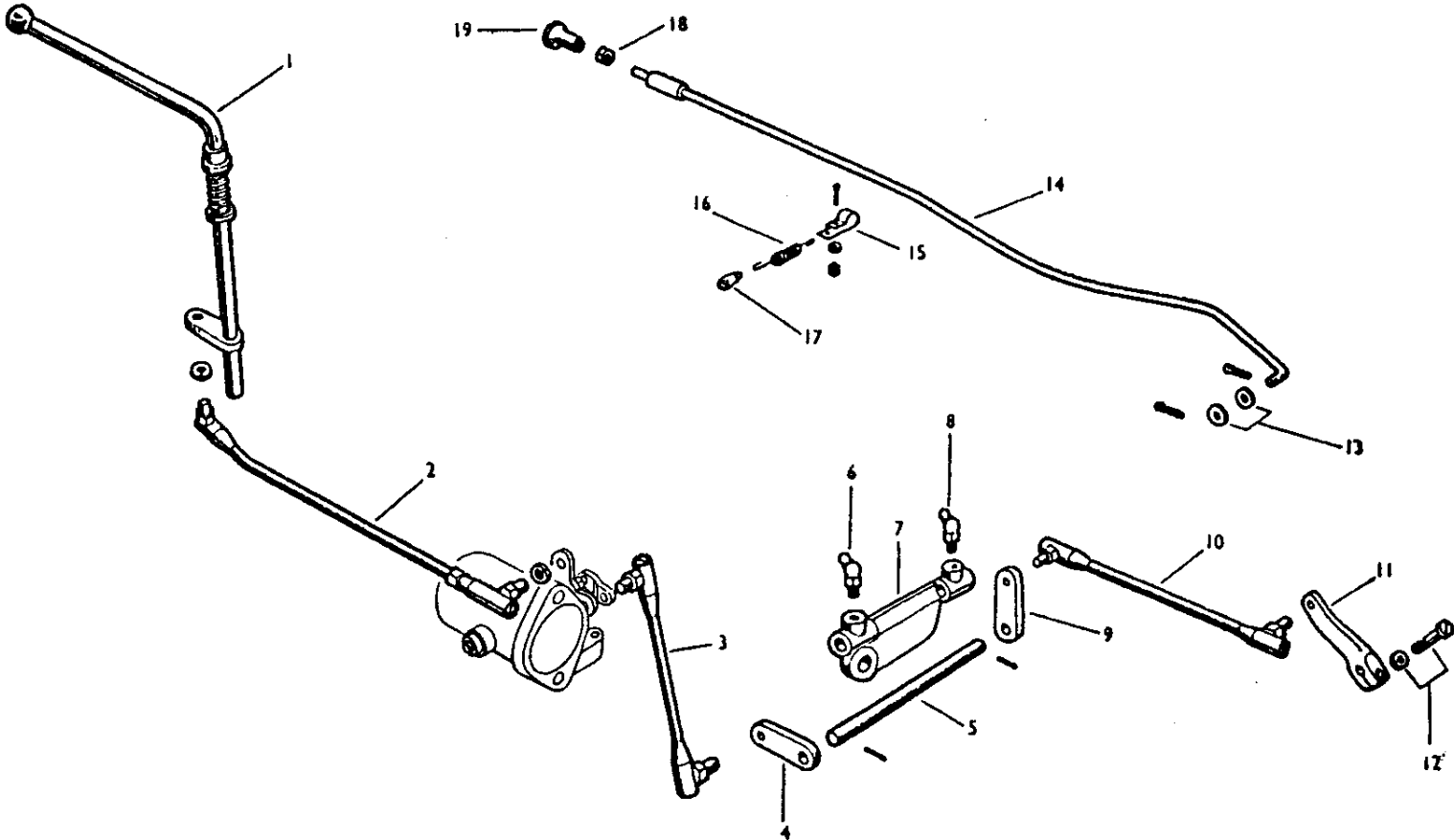


'20' TRACTOR PARTS LIST

FIG. 55



AGCO Corporation
Parts List Report

Massey Ferguson (Europe)

TE 20 TRACTOR

Page 188 - THROTTLE AND FUEL CUT-OFF CONTROLS

Item	Part Number	Qty	Part Description	Comments
1	200642	1	Rod	
	354047X1	1	Pin	
2	113145	1	Rod	
	113148	1	Pin	
	104306	1	Pin	
	826897M1	1	Clip	
	353754X1	2	Washer	
	353919X1	1	Nut Unf	
	353441X1	2	Lock Washer	
3	103059	1	Rod	Alternative
	112769	1	Rod	Alternative
4	103056	1	Lever	
5	103057	1	Shaft	
	375202X1	2	Pin	
6	MP1057	1	Nipple	
7	103058	1	Bracket	
	353680X1	1	Screw Unc	
	353755X1	1	Washer	
8	MP1058	1	Nipple	
9	103056	1	Lever	
10	112770	1	Rod	Alternative
	103060	1	Rod	Alternative
	105184	1	Rod Link	Alternative USE WITH 300964 PUMP
11	103061	1	Lever	
12	TF2505	1	Screw	
	353445X1	1	Lock Washer	
	2514	1	Rod	INCL. REF. 13, 14, 18 AND 19
	500945	1	Rod	USE WITH 300964 PUMP INCL. REF. 13, 14, 18 AND 19
13	354039X1	1	Cotter	
	353753X1	1	Washer	
14			Rod	Not Serviced, Order 2514 OR 500945
15	827022M1	1	Bearer	
	19FSR508	1	Screw	
	353445X1	1	Lock Washer	
	19FNXB	1	Nut	

16	827023M1	1	Spring
17	827024M1	1	Strap
18	19FNHB	1	Nut
19	826904M1	1	Knob
