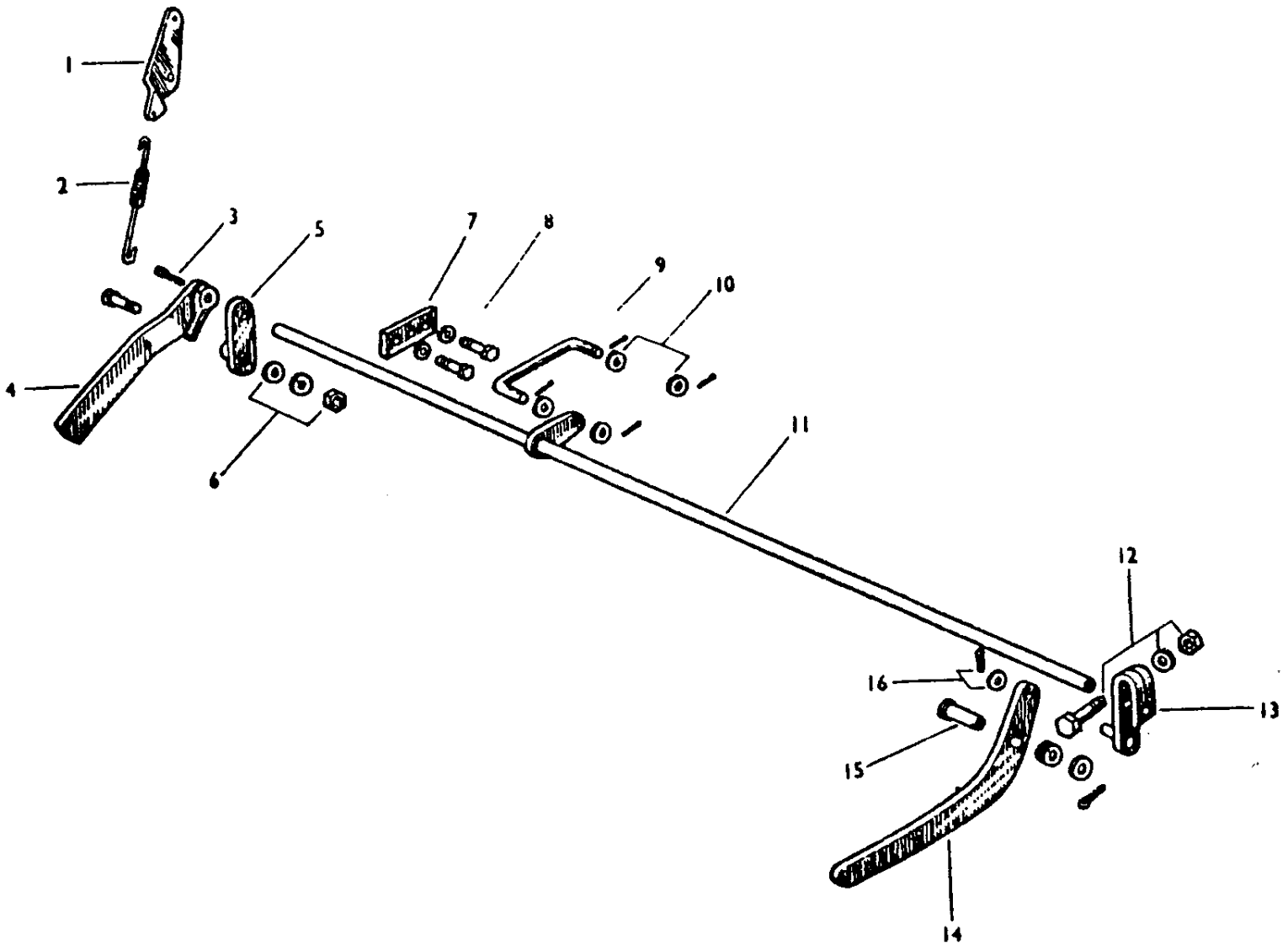


"20" TRACTOR PARTS LIST

FIG. 52



AGCO Corporation
Parts List Report

Massey Ferguson (Europe)

TE 20 TRACTOR

Page 180 - DECOMPRESSION OPERATING SHAFT AND RELATED PARTS

Item	Part Number	Qty	Part Description	Comments
1	101323	1	Plate	Up to Serial or Engine Number 327,388
	106433	1	Bracket	327,389 TO 381,659
	107759	1	Bracket	381,660 AND FUTURE
2	101043	1	Spring	
3	825198M1	1	Screw	
4	101321	1	Lever	
	103033	1	Ratchet	
	103034	1	Spring	
	500540	1	Pin	
5	103030	1	Rod Link	
6	353522X1	1	Bolt Unf	
	353446X1	1	Lock Washer	
	353755X1	1	Washer	
	353916X1	1	Nut Unf	
7	102172	1	Bracket	
8	353517X1	2	Screw Unf	
	353446X1	2	Lock Washer	
9	101717	1	Bail	
10	353755X1	2	Washer	
	WP0101	2	Washer	
	354048X1	4	Pin	
11	200149	1	Shaft	Up to Serial or Engine Number 244,084
	201453	1	Stem	244,085 AND FUTURE
	105356	1	Stem	244,085 AND FUTURE
	105354	1	Sleeve	244,085 AND FUTURE
	825198M1	2	Screw	244,085 AND FUTURE
12	353521X1	1	Bolt Unf	Up to Serial or Engine Number 244,087
	353524X1	1	Bolt Unf	244,085 AND FUTURE
	353755X1	1	Washer	
	353916X1	1	Nut Unf	
13	101322	1	Bridle	Up to Serial or Engine Number 244,084
	103917	1	Lever	244,085 AND FUTURE
	103568	1	Bridle	244,085 AND FUTURE
	353518X1	1	Screw Unf	244,085 AND FUTURE
	353755X1	1	Washer	244,085 AND FUTURE
	353446X1	1	Lock Washer	244,085 AND FUTURE
	353916X1	1	Nut Unf	244,085 AND FUTURE
14	100674	1	Handle	Up to Serial or Engine Number 244,084
	103684	1	Lever	244,085 AND FUTURE

15	50PS1198	1	Pin
	61466	1	Washer
	353758X1	1	Washer
	354058X1	1	Pin
16	345046X1	1	Pin
	353755X1	1	Washer
