

"20" TRACTOR PARTS LIST

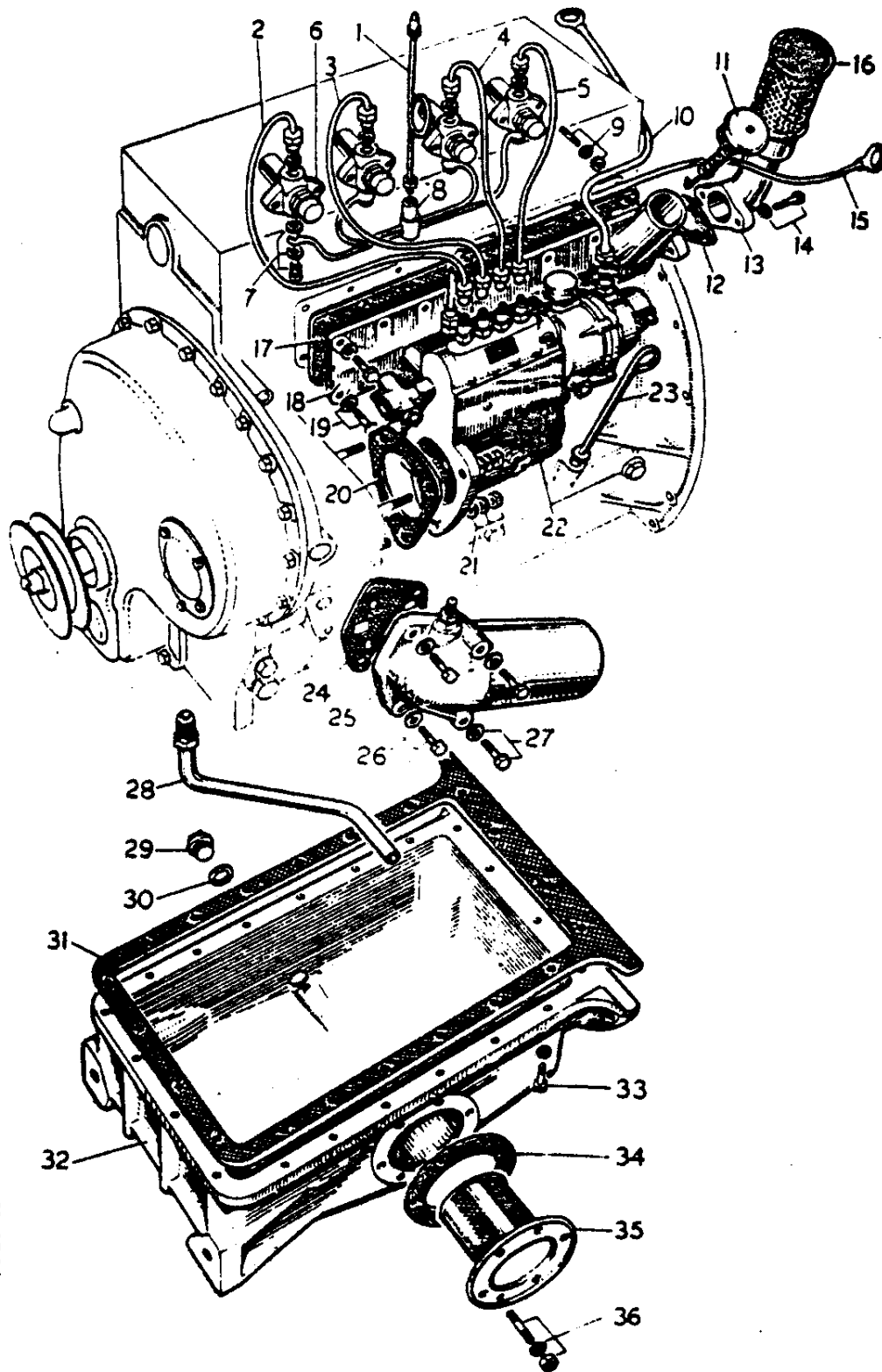


FIG. 46

AGCO Corporation
Parts List Report

Massey Ferguson (Europe)

TE 20 TRACTOR

Page 162 - OIL SUMP, INJECTOR PUMP AND RELATED PARTS - NO. OFF 20C DIESEL

Item	Part Number	Qty	Part Description	Comments
				NO. OFF 20C DIESEL
1	102826	1	Pipe	
2	102054	1	Tube	
3	102053	1	Tube	
4	102052	1	Pipe	
5	102051	1	Pipe	
6			Injector	Not Serviced, Order
	BKB50S679	4	Nozzle	*
	BDN.4S.1	4	Nozzle	*
	5339/423	AR	Washer	*
7	7008/188	4	Screw	*
				From Serial or Engine Number SA41923E See Page/Reference Number 6
	5339/543	8	Washer	*
				From Serial or Engine Number SA41923E See Page/Reference Number 6
	7008/420	1	Screw	*
8	61461	1	Tube	
9	100961	8	Stud	
	353446X1	8	Lock Washer	
	353916X1	8	Nut Unf	
10	200653	1	Pipe	
	103581	1	Clip	From Serial or Engine Number SA2633E
	353446X1	1	Lock Washer	From Serial or Engine Number SA2633E
	353916X1	1	Nut Unf	From Serial or Engine Number SA2633E
11	825398M91	1	Cap	
	102318	1	Pin	
12	102628	1	Gasket	
13	102568	1	Elbow	
14	353678X1	2	Screw Unc	
	353446X1	2	Lock Washer	
15	102264	1	Tube	Up to Serial or Engine Number SA1421E
	103855	1	Tube	From Serial or Engine Number SA1422E
	105185	1	Tube	From Serial or Engine Number SA1422E
	102279	1	Pipe	From Serial or Engine Number SA1422E
	500811	1	Clip	From Serial or Engine Number SA1422E
	103561	1	Bracket	From Serial or Engine Number SA1422E
16	826116M91	1	Filter	
	500875	1	Cartridge	

17	61229	1	Gasket	
18	200710	1	Plate	
19	353679X1	12	Screw Unc	
	354617X1	1	Bolt Unc	
	353678X1	2	Screw Unc	
	353446X1	15	Lock Washer	
20	61459	1	Gasket	
21	WM0075	3	Washer	
	353434X1	3	Lock Washer	
	353431X1	3	Nut Unf	
22	300342	1	Fuel Pump	*
				Up to Serial or Engine Number SA1421E
	300781	1	Fuel Pump	*
				From Serial or Engine Number SA1422E
	302444	1	Fuel Pump	*
	300964	1	Fuel Pump	*
23	826149M91	1	Dipstick	
	825105M1	1	Washer	
24	826139M1	1	Gasket	
25	826136M91	1	Oil Filter	
26	353692X1	2	Screw Unc	
	353434X1	2	Lock Washer	
	353693X1	2	Screw Unc	
27	354633X1	2	Screw	
	353434X1	2	Lock Washer	
28	59075	1	Pipe	Not Serviced, Order 826140M91
				Up to Serial or Engine Number SA181E
	826140M91	1	Pipe	From Serial or Engine Number SA182E
	31CSSH508	1	Screw	From Serial or Engine Number SA182E
	353446X1	1	Lock Washer	From Serial or Engine Number SA182E
	826146M1	1	Nut	
	TL0013	1	Sleeve	
29	825219M1	1	Plug	
30	825295M1	1	Washer	
31	827601M1	1	Gasket	
32	59072	1	Sump	
33	353678X1	12	Screw Unc	
	354627X1	4	Bolt Unc	
	354624X1	2	Bolt Unc	
	354615X1	2	Bolt Unc	
	353446X1	20	Lock Washer	
34	825653M1	1	Gasket	
35	825164M91	1	Screen	
	825925M91	1	Chaffer	
36	825324M1	6	Stud	
	353446X1	6	Lock Washer	

353916X1 6 Nut Unf

(*)

SERVICED BY MESSRS. C.A.V. LTD.
