

"20" TRACTOR PARTS LIST

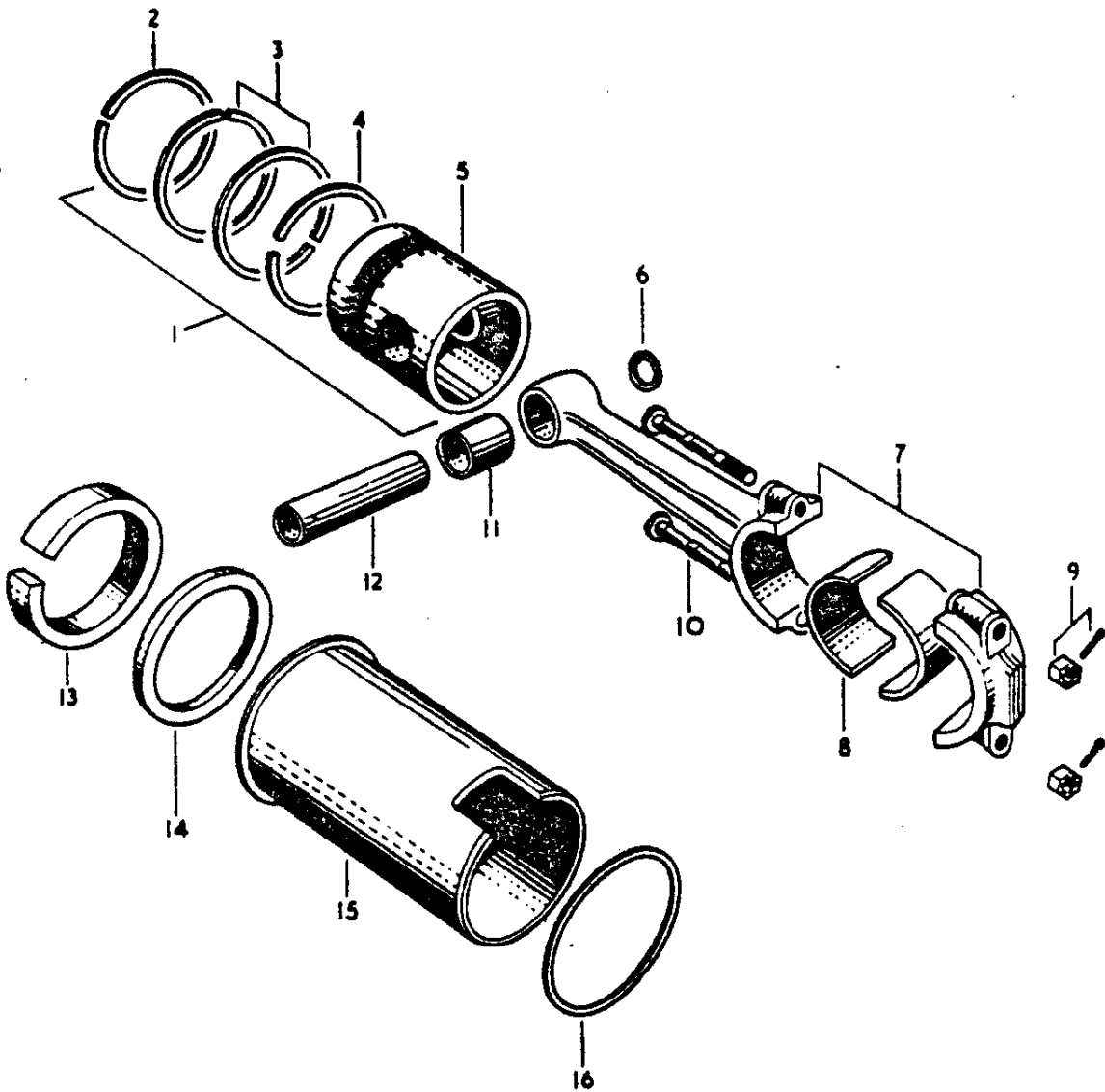


FIG. 45

AGCO Corporation  
Parts List Report

Massey Ferguson (Europe)

TE 20 TRACTOR

Page 160 - PISTON ASSEMBLY - NO. OFF 20C DIESEL

Item	Part Number	Qty	Part Description	Comments
				NO. OFF 20C DIESEL
1	115741	4	Piston	*
				INCL. REF. 2 - 6, 12
2	108643	4	Segment	
	108643/1	AR	Ring	.010" OVERSIZE
3	108644	8	Segment	
	108644/1	AR	Ring	.010" OVERSIZE
4	101810	4	Ring	
	101810/1	AR	Ring	.010" OVERSIZE
5			Piston	Not Serviced, Order
			Piston	
6	500253	8	Clip	
7	202743	4	Rod	INCL. REF. 9 - 11
8	58762	4	Rod	
	58762/1	AR	Bearing	.010" UNDERSIZE
	58762/2	AR	Bearing	.020" UNDERSIZE
	58762/3	AR	Bearing	.030" UNDERSIZE
	58762/4	AR	Bearing	.040" UNDERSIZE
	58762/6	AR	Bearing	.060" UNDERSIZE
	109948	4	Bearing	
	109948/1	AR	Bearing	.010" UNDERSIZE
	109948/2	AR	Bearing	.020" UNDERSIZE
	109948/3	AR	Bearing	.030" UNDERSIZE
	109948/4	AR	Bearing	.040" UNDERSIZE
	109948/6	AR	Bearing	.060" UNDERSIZE
9	58761	8	Nut	
	354049X1	8	Pin	
10	58760	8	Bolt	
11	58763	4	Bush	
12	105317	4	Clevis Pin	
13	103658	4	Insert	Up to Serial or Engine Number SA23082E
	107754	4	Insert	From Serial or Engine Number SA23083E
	DP0304	4	Dowel	
14	103657	4	Insert	
15	101353	4	Liner	Up to Serial or Engine Number SA23082E
	106594	4	Barrel	From Serial or Engine Number SA23083E
				*
16	61148	4	Gasket	
				NOT ILLUSTRATED

---

505024

AR Piston

Up to Serial or Engine Number SA23082E

505025

AR Piston

From Serial or Engine Number SA23083E

(\*)

AVAILABLE IN GRADES F, G, AND H

---