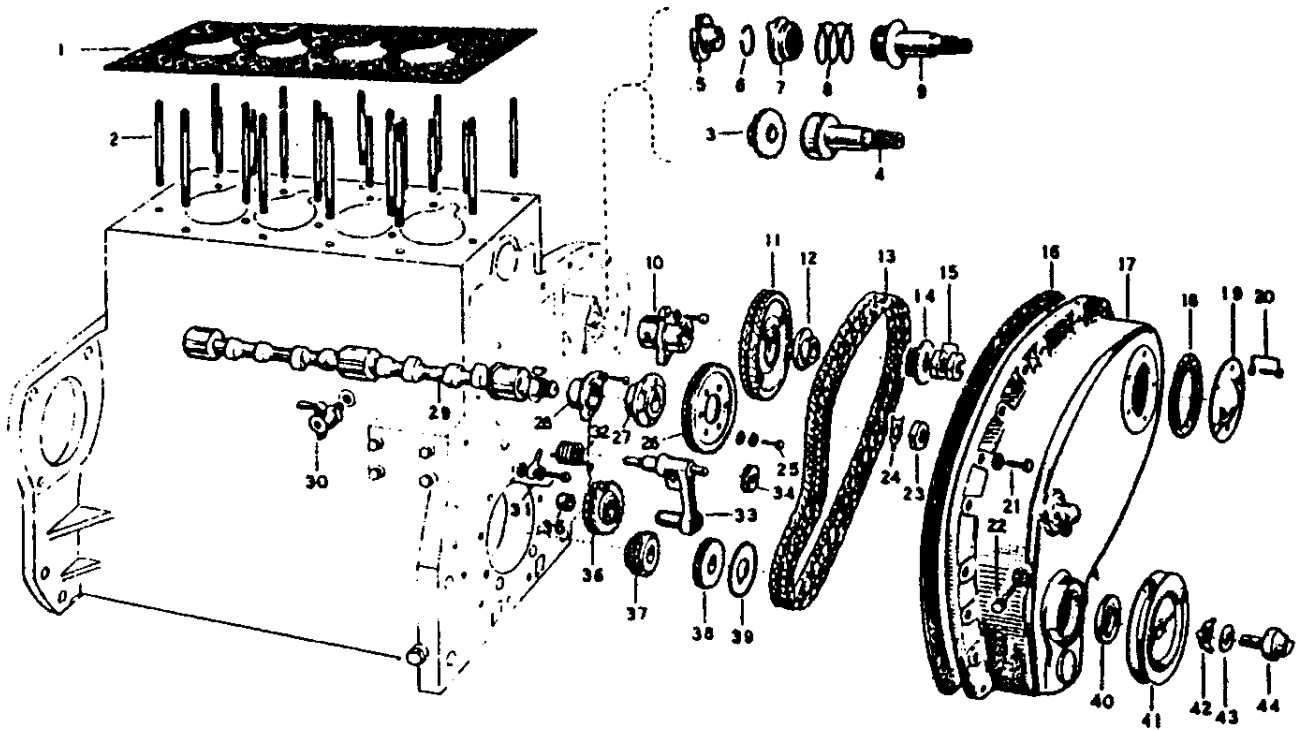


**"20" TRACTOR PARTS LIST**



**FIG. 44**

AGCO Corporation  
Parts List Report

Massey Ferguson (Europe)

TE 20 TRACTOR

Page 156 - CAMSHAFT, TIMING GEARS AND COVER - NO. OFF 20C DIESEL

Item	Part Number	Qty	Part Description	Comments
				NO. OFF 20C DIESEL
1	61153	1	Gasket	
2	61375	8	Stud	7/16" X 4.28"
	61374	14	Stud	7/16" X 4.91"
	353757X1	22	Washer	
	103810	22	Nut	Alternative
	113078	22	Nut	Alternative
3	61449	1	Pinion	Up to Serial or Engine Number SA5221E
	105113	1	Dog	Up to Serial or Engine Number SA5221E
4	61451	1	Shaft	
5	104611	1	Plate	
	105187	1	Coupling	
6	104612	1	Ring	
7	201276	1	Coupling	
8	104649	1	Spring	
9	201277	1	Shaft	
10	61391	1	Housing	
	353678X1	3	Screw Unc	
	353446X1	3	Lock Washer	
11	61437	1	Wheel	
12	61438	1	Cylinder Block	
13	61471	1	Chain	
14	61439	1	Cylinder Block	
15	61463	2	Nut	
16	61378	1	Washer	
17	301579	1	Housing	
18	60309	1	Washer	
19	61869	1	Cover	
20	353676X1	5	Screw Unc	
	353446X1	5	Lock Washer	
21	353678X1	16	Screw Unc	
	353446X1	20	Lock Washer	
	354615X1	4	Bolt Unc	
22	38CSSH275B	1	Screw	
	375109X1	1	Nut Unc	
23	826093M1	1	Nut	
24	826092M1	1	Washer	
25	826091M1	6	Bolt	
	353446X1	6	Lock Washer	

---

	353755X1	6	Washer	
26	826089M1	1	Sprocket	
27	826090M1	1	Centre	
28	59094	1	Bearing	
	353677X1	1	Screw Unc	
	353446X1	2	Lock Washer	
	825992M1	1	Bolt	
29	301421	1	Shaft	
	2951X	1	Key	
30	825326M1	1	Tap	
	825291M1	1	Washer	
31				Not Serviced, Order
32	105423	1	Spring	
33	101349	1	Tensioner	
34	61466	1	Washer	
35	61453	1	Bush	
36	61399	1	Wheel	
37	826041M1	1	Sprocket	
38	59227	1	Gear	Not Serviced, Order 826062M1, 826039M1
	826039M1	1	Gear	
39	825200M1	1	Deflector	
40	825740M1	1	Seal	
41	826044M1	1	Pulley	
	825177M1	AR	Shim	.004"
	825178M1	AR	Shim	.006"
42	825185M1	1	Washer	
43	825103M1	AR	Shim	
44	101914	1	Knuckle	
				NOT ILLUSTRATED
	115425	AR	Damper	

---