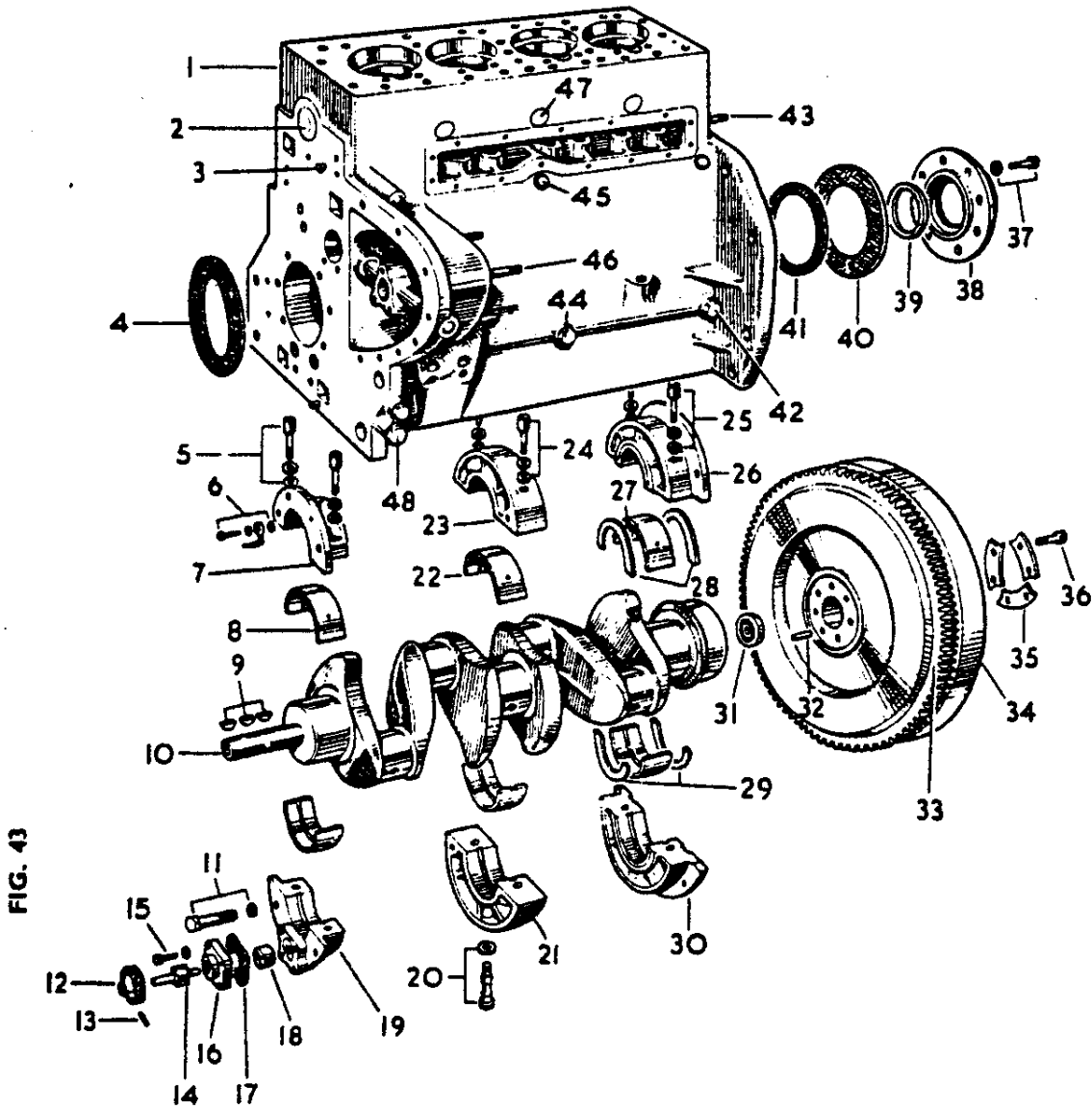


"20" TRACTOR PARTS LIST



AGCO Corporation
Parts List Report

Massey Ferguson (Europe)

TE 20 TRACTOR

Page 150 - CYLINDER BLOCK WITH CRANKSHAFT, FLYWHEEL AND RELATED PARTS - NO. OFF 20C DIESEL

Item	Part Number	Qty	Part Description	Comments
				NO. OFF 20C DIESEL
	502427	1	Engine	
	501840	1	Engine	
1	501838	1	Block	INCL. REF. 2, 3, 42, 43, 44, 45, 46, 47, 48
2	825102M1	5	Plug	1-1/4"
3	DP0510	2	Dowel	5/14" X .62"
4	826012M1	1	Washer	
5	826010M1	2	Screw	
	826011M1	2	Washer	
	103492	2	Washer	
6	105186	1	Stud	
	355565X1	1	Nut Unc	
	825104M1	AR	Lead	
7	102216		Housing	Up to Serial or Engine Number SA6153E INCL. REF. 5, 19
	107882	1	Housing	From Serial or Engine Number SA6154E
	825304M1	2	Bush	
	826008M1	2	Bush	
8	826023M1	1	Bearing	
	826024M1	AR	Bearing	.010" UNDERSIZE
	826025M1	AR	Bearing	.020" UNDERSIZE
	826026M1	AR	Bearing	.020" UNDERSIZE
	826027M1	AR	Bearing	.040" UNDERSIZE
	109935	1	Bearing	
	109935/1	AR	Bearing	.010" UNDERSIZE
	109935/2	AR	Bearing	.020" UNDERSIZE
	109935/3	AR	Bearing	.030" UNDERSIZE
	109935/4	AR	Bearing	.040" UNDERSIZE
9	2951X	2	Key	
	2957X	1	Woodruff Key	
10	58273	1	Crankshaft	Up to Serial or Engine Number SA6153E
	302205	1	Crankshaft	From Serial or Engine Number SA6154E
11	353678X1	6	Screw Unc	
	353446X1	6	Lock Washer	
12	826062M1	1	Gear	
13	13104X	1	Pin	

14	827615M91	1	Shaft	INCL. REF. 18
15	826064M1	1	Bolt	5/14" NC. X 1.31"
	353679X1	1	Screw Unc	
	353684X1	2	Bolt Unc	
	353446X1	4	Lock Washer	
16	826057M91	1	Body	
		1	Body	Not Serviced, Order
	826009M1	1	Bush	
17	826063M1	1	Gasket	
18		1	Rotor	Not Serviced, Order 827615M91
19			Housing	Not Serviced, Order
				See Page/Reference Number 7
	826009M1	1	Bush	
20	826016M1	1	Bolt	
	WQ0311	1	Washer	
21	826013M91	1	Housing	INCL. REF. 23, 24
			Housing	Not Serviced, Order
	825304M1	2	Bush	Up to Serial or Engine Number SA54718E
	826008M1	2	Bush	From Serial or Engine Number SA54719E
22	826028M1	1	Bearing	
	826029M1	AR	Bearing	.010" UNDERSIZE
	826030M1	AR	Bearing	.020" UNDERSIZE
	826031M1	AR	Bearing	.030" UNDERSIZE
	826032M1	AR	Bearing	.040" UNDERSIZE
	109936	1	Bearing	
	109936/1	AR	Bearing	.010" UNDERSIZE
	109936/2	AR	Bearing	.020" UNDERSIZE
	109936/3	AR	Bearing	.030" UNDERSIZE
	109936/4	AR	Bearing	.040" UNDERSIZE
23			Housing	Not Serviced, Order
				See Page/Reference Number 21
24	826010M1	2	Screw	
	826011M1	2	Washer	
	103492	2	Washer	
25	826010M1	2	Screw	
	826011M1	2	Washer	
	103492	2	Washer	
26	104051	1	Housing	Up to Serial or Engine Number SA6153E
	826018M91	1	Housing	From Serial or Engine Number SA6154E
				INCL. REF. 25, 30
				Not Serviced, Order
	825304M1	2	Bush	Up to Serial or Engine Number SA54718E
	826008M1	2	Bush	From Serial or Engine Number SA54719
27	826023M1	1	Bearing	
	826024M1	AR	Bearing	.010" UNDERSIZE
	826025M1	AR	Bearing	.020" UNDERSIZE

	826026M1	AR	Bearing	.030" UNDERSIZE
	826027M1	AR	Bearing	.040" UNDERSIZE
	109935	1	Bearing	
	109935/1	AR	Bearing	.010" UNDERSIZE
	109935/2	AR	Bearing	.020" UNDERSIZE
	109935/3	AR	Bearing	.030" UNDERSIZE
	109935/4	AR	Bearing	.040" UNDERSIZE
28	59421	2	Washer	
	826035M1	AR	Washer	.005" OVERSIZE
29	60055	2	Washer	
	826036M1	AR	Washer	.005" OVERSIZE
30			Housing	Not Serviced, Order See Page/Reference Number 26
31	195174M1	1	Bearing	
32	826051M1	1	Centraliser	3/4" DIA. X .625"
33	200868	1	Gear	
34	200457	1	Flywheel	
35	826053M1	3	Washer	
36	826052M1	6	Screw	
37	353682X1	8	Bolt Unc	
	353446X1	8	Lock Washer	
38	826045M1	1	Cover	
39	826046M1	1	Seal	
40	826047M1	1	Washer	
41	826022M1	1	Washer	
42	826003M1	1	Screw	
	825484M1	2	Washer	
43	104103	1	Stud	7/16" NC NF X 2.38"
44	826000M1	2	Plug	
	825484M1	2	Washer	
45	101022	2	Screw	
	826161M1	2	Washer	
46	100962	3	Stud	
47	825114M1	3	Plug	
48	826006M1	2	Plug	
	826001M1	2	Washer	
42	826003M1	1	Screw	
	825484M1	2	Washer	
43	104103	1	Stud	
44	826000M1	2	Plug	
	825484M1	2	Washer	
45	101022	2	Screw	
	826161M1	2	Washer	
46	100962	3	Stud	
47	825114M1	3	Plug	

48	826006M1	2	Plug	
	826001M1	2	Washer	
				NOT ILLUSTRATED
	825302M1	2	Dowel	3/8" X 3/4"
	825190M1	2	Plug	3/4" N.F. X 44"
	58845	1	Plug	1-7/8"
	826021M1	2	Dowel	
	26435	3	Plug	Up to Serial or Engine Number SA16357E 1-3/8"
	825188M1	3	Plug	From Serial or Engine Number SA16358E Up to Serial or Engine Number SA53285E 1-1/4"
	825998M1	2	Stud	From Serial or Engine Number SA41923E
	353916X1	2	Nut Unf	From Serial or Engine Number SA41923E
	353446X1	2	Lock Washer	From Serial or Engine Number SA41923E
	826155M1	1	Gasket	From Serial or Engine Number SA41923E
	108856	1	Plate	From Serial or Engine Number SA41923E

AGCO Corporation
Manufacturer Notes Report

Massey Ferguson (Europe)

TE 20 TRACTOR

Page 150 CYLINDER BLOCK WITH CRANKSHAFT, FLYWHEEL AND RELATED PARTS - NO. OFF 20C
DIESEL

Notes

Core Plugs item 47 is 2950x
