

"20" TRACTOR PARTS LIST

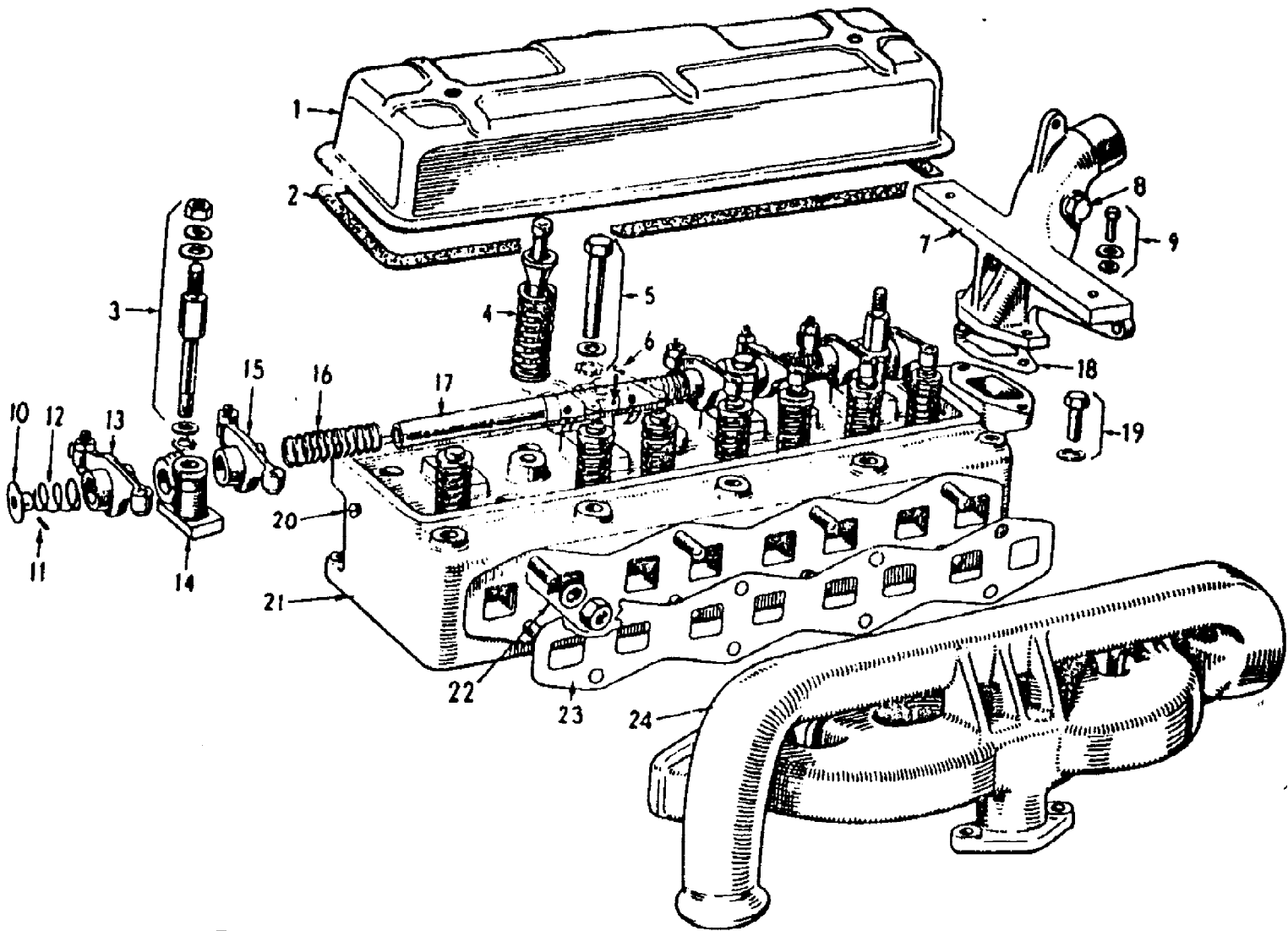


FIG. 30

AGCO Corporation
Parts List Report

Massey Ferguson (Europe)

TE 20 TRACTOR

Page 136 - CYLINDER HEAD AND RELATED PARTS - T.E. 20

Item	Part Number	Qty	Part Description	Comments
				T.E. 20
1	8595	1	Cover	
2	4224	1	Gasket	
3	1716	2	Stud	
	1642	2	Washer	
	1643	2	Nut	
	1645	2	Gasket	
	1644	2	Washer	
4			Valve	Not Serviced, Order See Page/Reference Number 37
5	1641	2	Screw	
	1642	2	Washer	
	1644	4	Washer	
6	1640	1	Pin	
7	7099	1	Elbow	
8	827247M1	1	Plug	
	827248M1	1	Gasket	
9	354616X1	2	Bolt Unc	
	353516X1	2	Screw Unf	
	353755X1	2	Washer	
	353440X1	2	Lock Washer	
10	1714	2	Plug	
11	1640	2	Pin	
12	1712	2	Spring	
13	1783	4	Arm	Right Hand
14	1715	4	Support	
15	1784	4	Arm	Left Hand
16	1711	3	Spring	
17	7140	1	Shaft	
18	1324	1	Gasket	
19	353691X1	2	Screw Unc	
	353434X1	2	Lock Washer	
20	1624	1	Plug	
21	9578	1	Head	
	1701	8	Valve	
	2249	8	Spring	
	2241	8	Seat	
	1710	8	Lock	
	9577	1	Head	INCL. REF. 20

	2240	8	Guide	
	1678	4	Insert	
	1697	8	Tube	
	1716	2	Stud	
	1627	8	Stud	INCL. REF. 3
22	1627	8	Stud	INCL. REF. 22
	1667	8	Nut	
	1644	8	Washer	
23	7144	1	Gasket	
24	8598	1	Manifold	
