

" 20 " TRACTOR PARTS LIST

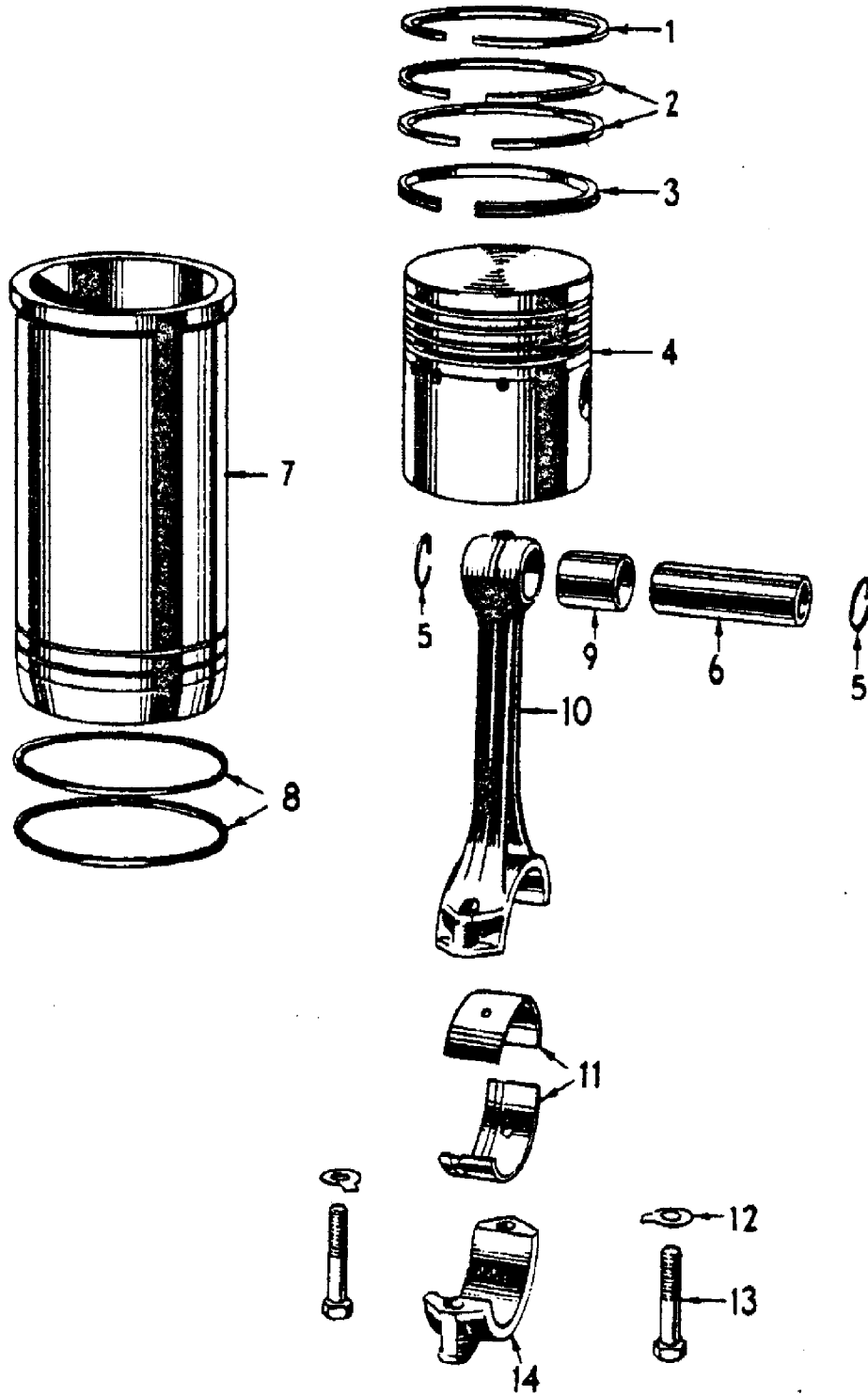


FIG. 36.

CTP 258

AGCO Corporation
Parts List Report

Massey Ferguson (Europe)

TE 20 TRACTOR

Page 132 - PISTON, CONNECTING ROD, SLEEVE AND RELATED PARTS - T.E. 20

Item	Part Number	Qty	Part Description	Comments
				T.E. 20
	2118	1	Sleeve	INCLUDES 4 OFF ITEMS 1 - 8
1	4308	4	Ring	
	4308	4	Ring	.010"
	4362	4	Ring	
	4362	4	Ring	.010"
	4362	4	Ring	.020"
	4362	4	Ring	.030"
2	4307	8	Ring	
	4307	8	Ring	.010"
	4362	4	Ring	
	4362	4	Ring	.010"
	4362	4	Ring	.020"
	4362	4	Ring	.030"
	4363	4	Ring	
	4363	4	Ring	.010"
	4363	4	Ring	.020"
	4363	4	Ring	.030"
3	4306	4	Ring	
	4306	4	Ring	.010"
	4365	4	Ring	
	4365	4	Ring	.020"
4			Piston	Not Serviced, Order 2118
5	1629	8	Ring	
	2125	8	Circlip	
6	1566	4	Pin	
	2116	4	Pin	
7			Sleeve	Not Serviced, Order 2118
8	1677	8	Packing	
	8599	4	Rod	INCL. REF. 9, 10, 12 13, 14
9	2579	4	Bush	
10			Rod	Not Serviced, Order 8599 INCL. REF. 14
11	4211	8	Bearing	
	4211/2	8	Bearing	.020"
	4211/3	8	Bearing	.030"
	4211/4	8	Bearing	.040"
12	1681	8	Lock	

13	1680	8	Bolt	
14			Cap	Not Serviced, Order 8599
				NOT ILLUSTRATED
	4368	AR	Piston	INCLUDES 2 OFF 4362 AND 2 OFF 4363
	4369	AR	Piston	INCLUDES 2 OFF 4362/.010", 1 OFF 4363/.010" AND 1 OFF 4363
