

"20" TRACTOR PARTS LIST

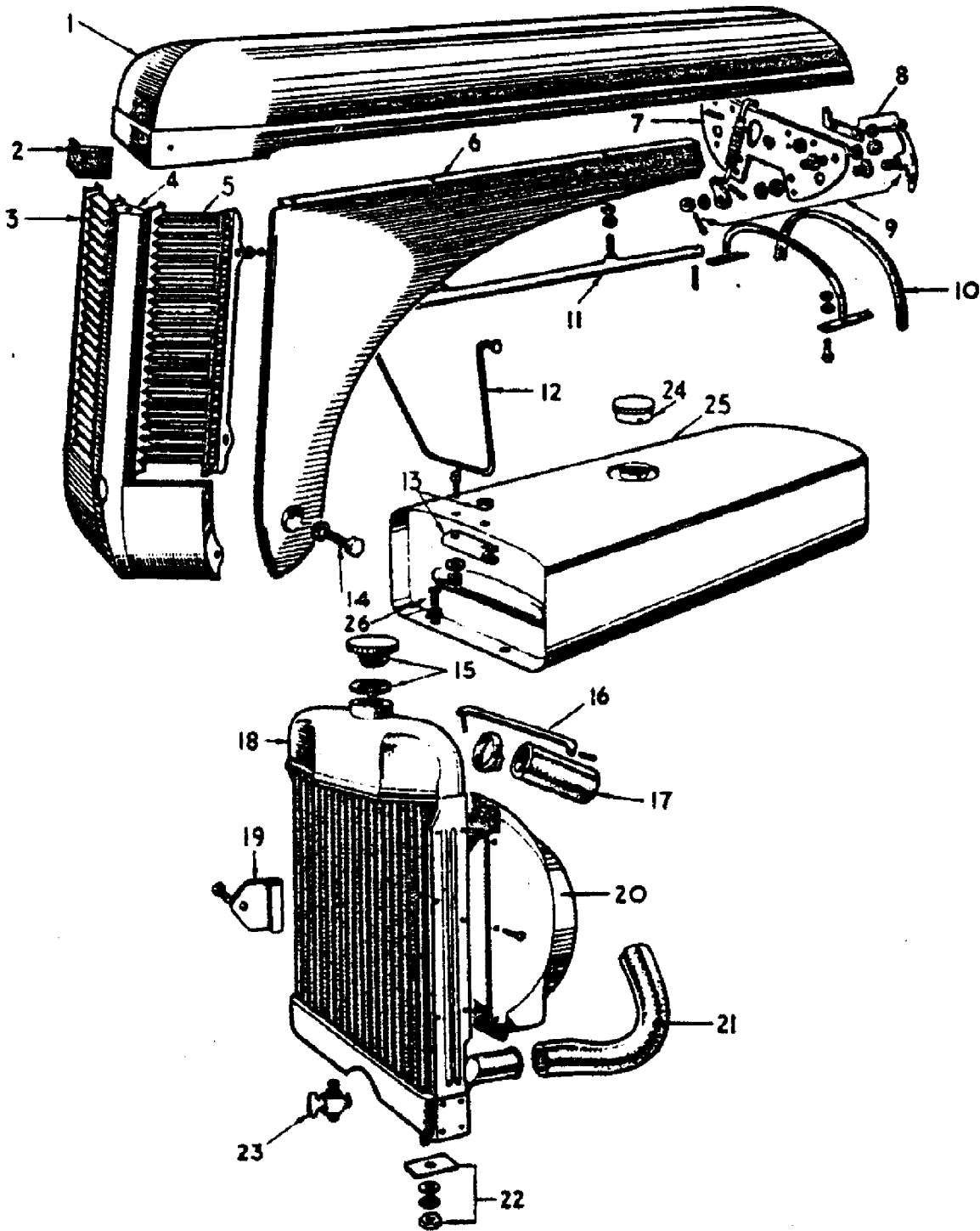


FIG. 32

AGCO Corporation
Parts List Report

Massey Ferguson (Europe)

TE 20 TRACTOR

Page 116 - RADIATOR, HOOD AND RELATED PARTS - 80 M/M PET., 85 M/M PET., 85 M/M V.O., 85 M/M L.O. 20C DIESEL.

Item	Part Number	Qty	Part Description	Comments
				80 M/M PET., 85 M/M PET., 85 M/M V.O., 85 M/M L.O. 20C DIESEL.
1	9507	1	Panel	
	16FSR62B	1	Screw	20C DIESEL
	353444X1	1	Lock Washer	20C DIESEL
	353752X1	1	Washer	20C DIESEL
	353668X1	4	Screw Unc	
	355564X1	4	Nut Unc	
	353441X1	4	Lock Washer	
2	1415	1	Plate	
	1450	2	Screw	
3	9524	1	Grille	
4	9533	1	Screen	80 M/M PET, 85 M/M PET, 85 M/M VO, 85 M/M LO
	300575	1	Panel	20C DIESEL Alternative
	300813	1	Panel	20C DIESEL Alternative
5	9523	1	Grille	Left Hand
	1360	8	Screw	
	353444X1	8	Lock Washer	
	353752X1	8	Washer	
6	9531	1	Panel	Left Hand
	9532	1	Panel	Right Hand
	353675X1	4	Screw Unc	
	353565X1	4	Bolt Unf	
	353446X1	4	Lock Washer	
7	7104	1	Bulkhead	Up to Serial or Engine Number 200,000 80 M/M PET, 85 M/M PET, 85 M/M VO, 85 M/M LO
	7332	1	Plate	From Serial or Engine Number 200,001 85 M/M PET, 85 M/M VO, 85 M/M LO
	200636	1	Plate	20C DIESEL
	353556X1	2	Screw Unf	
	353432X1	2	Lock Washer	

	353426X1	2	Nut Unf	
	353516X1	4	Screw Unf	20C DIESEL
	353446X1	4	Lock Washer	20C DIESEL
	353916X1	4	Nut Unf	20C DIESEL
8	102743	1	Stop	20C DIESEL
	353516X1	2	Screw Unf	20C DIESEL
	353916X1	1	Nut Unf	20C DIESEL
	353446X1	2	Lock Washer	20C DIESEL
	353755X1	2	Washer	20C DIESEL
9	1429	2	Handle	
	1431	2	Spacer	
	1432	2	Nut	
	1433	1	Lever	Left Hand
	1434	1	Lever	Right Hand
	353755X1	2	Washer	
	353923X1	2	Nut Unf	
	354039X1	2	Cotter	
	4170	1	Hook	Left Hand
	4171	1	Hook	Right Hand
	353755X1	2	Washer	
	353923X1	2	Nut Unf	
	354039X1	2	Cotter	
	354046X1	2	Pin	
	7093	1	Bearer	80 M/M PET, 85 M/M PET, 85 M/M VO, 85 M/M LO NOT ILLUSTRATED
10	8566	1	Strap	
	353668X1	4	Screw Unc	
	355564X1	4	Nut Unc	
	353441X1	4	Lock Washer	
	1944	1	Gasket	
11	4167	2	Runner	
	355564X1	4	Nut Unc	
	353441X1	4	Lock Washer	
	354059X1	2	Pin	
12	7108	1	Support	
13	2646	1	Clip	
	1424	2	Spacer	
	353504X1	2	Screw Unf	80 M/M PET, 85 M/M PET, 85 M/M VO, 85 M/M LO
	353668X1	2	Screw Unc	20C DIESEL
	353918X1	2	Nut Unf	80 M/M PET, 85 M/M PET, 85 M/M VO, 85 M/M LO

	353564X1	2	Bolt Unf	20C DIESEL
	353441X1	2	Lock Washer	
14	1364	2	Screw	
	1940	1	Gasket	
16	1567	1	Tie Rod	80 M/M PET, 85 M/M PET, 85 M/M VO, 85 M/M LO
	2081	1	Tie Rod	20C DIESEL
	354046X1	2	Pin	
	353755X1	AR	Washer	
17	1568	1	Hose	1-1/2" ID X 1-7/8" OD X 4.10"
	826774M1	2	Clamp	
18	9583	1	Radiator	80 M/M PET, 85 M/M PET, 85 M/M VO, 85 M/M LO
	9617	1	Radiator	20C DIESEL
19	1809	1	Plate	
	9582	1	Cowl	80 M/M PET, 85 M/M PET, 85 M/M VO, 85 M/M LO Up to Serial or Engine Number 200,000 INCL. REF. 19
	9686	1	Cowl	85 M/M PET, 85 M/M VO, 85 M/M LO From Serial or Engine Number 200,001
20	9651	1	Cowl	20C DIESEL INCL. REF. 19
	1941	7	Screw	
	353502X1	1	Screw Unf	20C DIESEL
	353754X1	1	Washer	20C DIESEL
	NN2907	1	Nut	20C DIESEL
21	7126	1	Water Hose	80 MM PET, 85 M/M PET, 85 M/M VO, 85 M/M LO 1.38" ID X 1.75" OD
	2413	1	Water Hose	20C DIESEL 1.38" ID X 1.75" OD
	825015M1	2	Clip	
22	1338	2	Packing	
	353432X1	2	Lock Washer	
	353772X1	2	Washer	
	355645X1	2	Nut Unc	
23	826773M1	1	Tap	
24	1564	1	Cap	80 M/M PET Up to Serial or Engine Number 25,000

	1897	1	Cap	80 M/M PET, 85 M/M PET From Serial or Engine Number 25,001
	1897	2	Cap	85 M/M VO, 85 M/M LO From Serial or Engine Number 25,001
25	9623	1	Tank	80 M/M PET, 85 M/M PET Up to Serial or Engine Number 200,000
	9642	1	Tank	85 M/M VO, 85 M/M LO INCL. 1897
	4477	1	Tank	85 M/M PET From Serial or Engine Number 200,001
	2138	1	Decal	80 M/M PET, 85 M/M PET, 85 M/M VO, 85 M/M LO
26	2491	2	Bolt	80 M/M PET, 85 M/M PET, 85 M/M VO, 85 M/M LO Alternative
	2679	2	Bolt	80 M/M PET, 85 M/M PET, 85 M/M VO, 85 M/M LO Alternative
	826786M1	4	Washer	80 M/M PET, 85 M/M PET, 85 M/M VO, 85 M/M LO
	2131	4	Plate	80 M/M PET, 85 M/M PET, 85 M/M VO, 85 M/M LO
	826785M1	4	Packing	80 M/M PET, 85 M/M PET, 85 M/M VO, 85 M/M LO
	2129	2	Pad	80 M/M PET, 85 M/M PET, 85 M/M VO, 85 M/M LO

AGCO Corporation
Manufacturer Notes Report

Massey Ferguson (Europe)

TE 20 TRACTOR

Page 116 RADIATOR, HOOD AND RELATED PARTS - 80 M/M PET., 85 M/M PET., 85 M/M V.O., 85 M/M
L.O. 20C DIESEL.

Notes

Item23 Possible alternative is 1851095m2.
