

"20" TRACTOR PARTS LIST

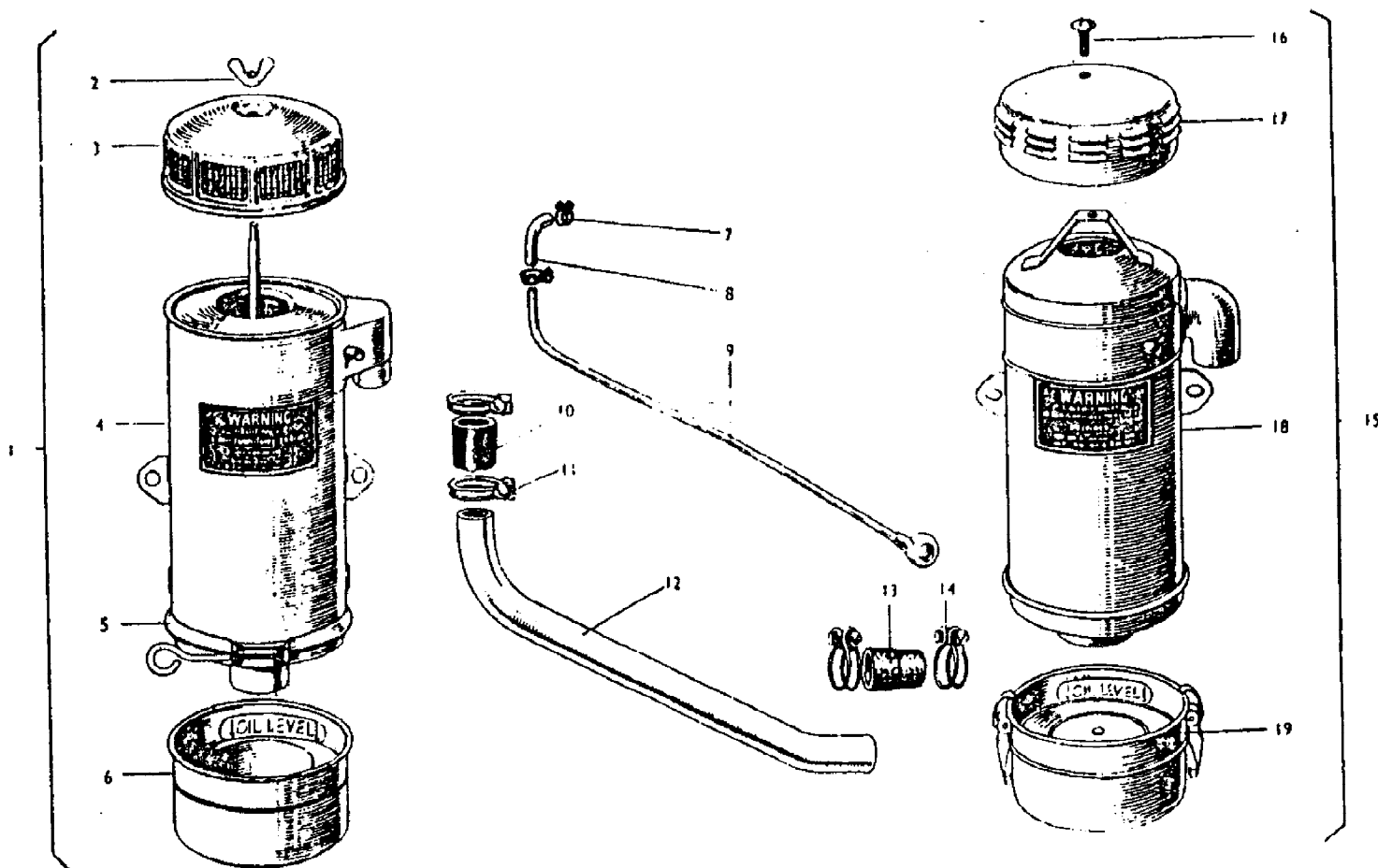


FIG. 28

AGCO Corporation  
Parts List Report

Massey Ferguson (Europe)

TE 20 TRACTOR

Page 94 - AIR CLEANER AND RELATED PARTS - 80 M/M PET., 85 M/M PET., 85 M/M V.O., 85 M/M L.O.

Item	Part Number	Qty	Part Description	Comments
				80 M/M PET., 85 M/M PET., 85 M/M V.O., 85 M/M L.O.
1	7156	1	Filter	(A) Not Serviced, Order 8710 80 M/M PET, 85 M/M VO
	8643	1	Filter	(A) Not Serviced, Order 8710 80 M/M PET, 85 M/M VO
	8705	1	Cleaner	(C) 85 M/M LO
	8710	1	Cleaner	(B) 80 M/M PET, 85 M/M PET, 85 M/M VO
	8742	1	Filter	(D) 85 M/M PET, 85 M/M VO, 85 M/M LO INCL. REF. 2 - 6
2	1807	1	Nut	80 M/M PET, 85 M/M PET, 85 M/M VO
3	4260	1	Cover	80 M/M PET, 85 M/M VO Not Serviced, Order 7156
	4444	1	Cover	85 M/M LO Not Serviced, Order 8705
	4441	1	Cover	80 M/M PET, 85 M/M PET, 85 M/M VO Not Serviced, Order 8710
4	4275	1	Body	80 M/M PET, 85 M/M VO Not Serviced, Order 7156
	4440	1	Body	80 M/M PET, 85 M/M PET, 85 M/M VO Not Serviced, Order 8710
	4354	1	Body	80 M/M PET, 85 M/M VO Not Serviced, Order 8643
	4437	1	Body	85 M/M LO Not Serviced, Order 8705

---

4469	1	Body	85 M/M PET , 85 M/M VO, 85 M/M LO Not Serviced, Order 8742
4486	1	Cover	80 M/M PET
4486	1	Cover	(C) 85 M/M PET , 85 M/M VO, 85 M/M LO
634035M1	1	Transfer	(D) 85 M/M PET , 85 M/M VO, 85 M/M LO (A) Up to Serial or Engine Number 123,684 (B) From Serial or Engine Number 123,685 Up to Serial or Engine Number 200,000 (C) Up to Serial or Engine Number 200,000 (D) From Serial or Engine Number 200,001
5	825598M1	1	Clamp
6	4261	1	Container
7	825016M1	2	Clip
8	825007M1	1	Hose 3/4"
9	8610	1	Tube
10	1326	1	Hose
11	825014M1	3	Clip
12	8717	1	Pipe
13	1575	1	Hose Up to Serial or Engine Number 439,169
	111241	1	Hose 85 M/M PET , 85 M/M VO, 85 M/M LO From Serial or Engine Number 439,170
14	825015M1	1	Clip Up to Serial or Engine Number 439,169
	825014M1	1	Clip 85 M/M PET , 85 M/M VO, 85 M/M LO From Serial or Engine Number 439,170
15	7168	1	Cleaner INCL. REF. 16 - 19 80 M/M PET , 85 M/M PET, 85 M/M VO
16	1877	1	Screw 80 M/M PET , 85 M/M PET, 85 M/M VO
17	4277	1	Cover 80 M/M PET , 85 M/M PET, 85 M/M VO
18	4279	1	Body 80 M/M PET , 85 M/M PET, 85 M/M VO
19	4280	1	Container 80 M/M PET , 85 M/M PET, 85 M/M VO

---

---

NOT ILLUSTRATED  
USE WITH 8705 ONLY

7296	1	Cover	85 M/M LO
2415	1	Filter	85 M/M LO
2412	1	Clip	85 M/M LO
2408	1	Screw	85 M/M LO
826805M1	1	Nut	85 M/M LO

---