

"20" TRACTOR PARTS LIST

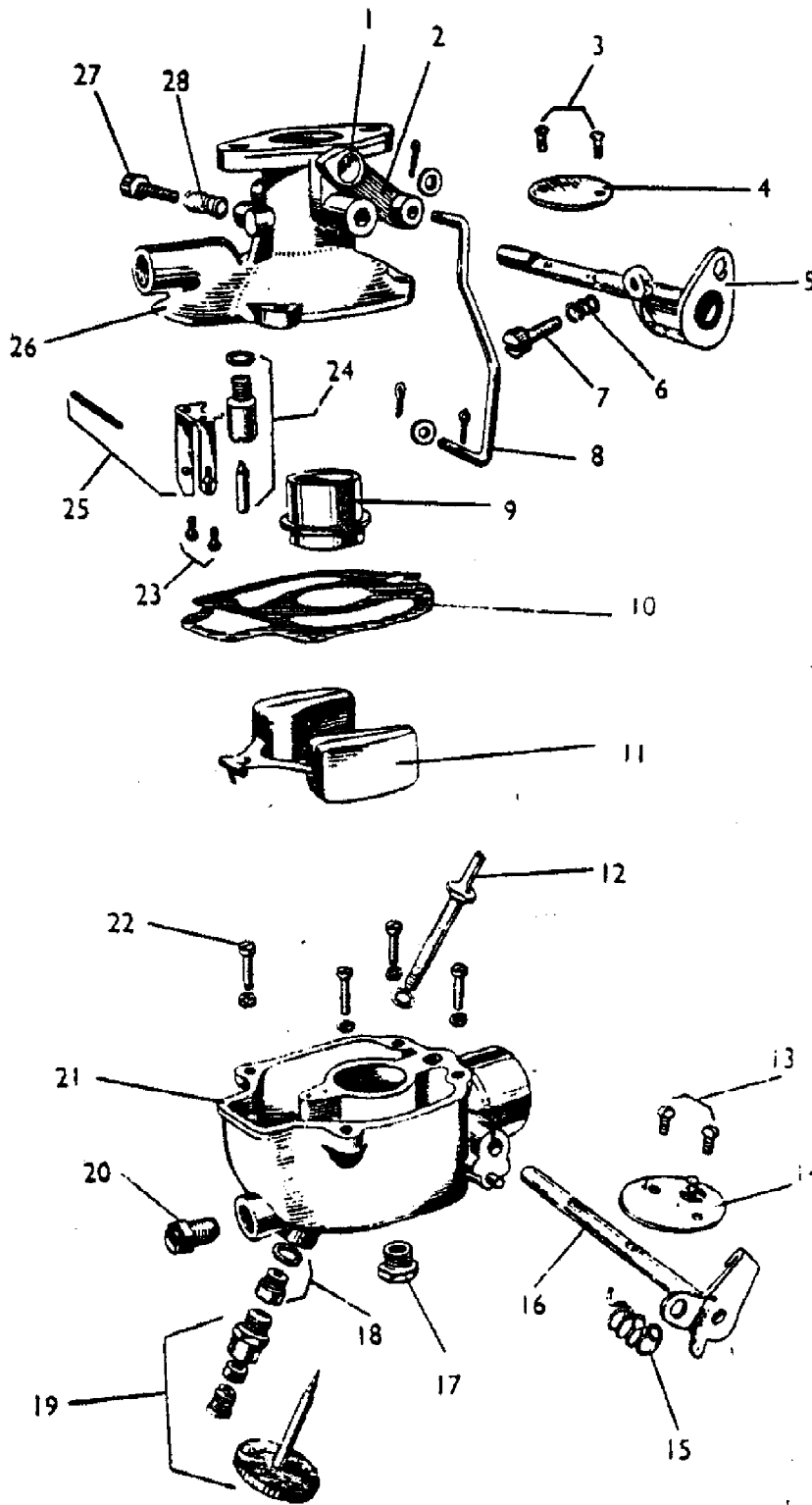


FIG. 27B

AGCO Corporation
Parts List Report

Massey Ferguson (Europe)
TE 20 TRACTOR
Page 92 - CARBURETTOR - HOLLEY

Item	Part Number	Qty	Part Description	Comments
				HOLLEY
				80 M/M PET , 85 M/M PET
	58192	1	Carburettor	80 M/M PET
				Not Serviced, Order 200361
	200754	1	Carburettor	85 M/M PET
				Up to Serial or Engine Number 5111, 518E ONLY
1	61947	1	Cam	
2	61946	1	Bracket	
3	61943	2	Screw	
4	61942	1	Panel	
5	61941	1	Clevis Pin	
6	61945	1	Spring	
7	61944	1	Screw	
8	61951	1	Cylinder Block	
	61952	2	Kit,Cyl.Block	
	354039X1	3	Cotter	
9	61933	1	Shroud	
10	61948	1	Gasket	
11	61930	1	Float	
12	61919	1	Tube	80 M/M PET
	500797	1	Nozzle	85 M/M PET
13	61929	2	Screw	
14	61928	1	Panel	
15	61925	1	Spring	
16	61924	1	Spring	
17	61922	1	Plug	
18	61920	1	Jet	80 M/M PET
	500799	1	Jet	85 M/M PET
19	61921	1	Valve	80 M/M PET
	500798	1	Valve	85 M/M PET
20	61923	1	Plug	
21	61918	1	Container	
22	61949	4	Screw	
	61950	4	Washer	
23	61929	2	Screw	
24	61936	1	Valve	
25	61931	1	Bearer	
26	61932	1	Body	
27	61939	1	Needle	

28	61940	1	Spring	
				NOT ILLUSTRATED
	61926	1	Plug	
	61927	1	Pin	
	61934	1	Jet	
	61935	1	Plug	
	61937	1	Olive	
	61938	1	Nut	
	70367	1	Kit	INCL. REF 7, 10, 17, 18, 19, 22, 24, 27
