

"20" TRACTOR PARTS LIST

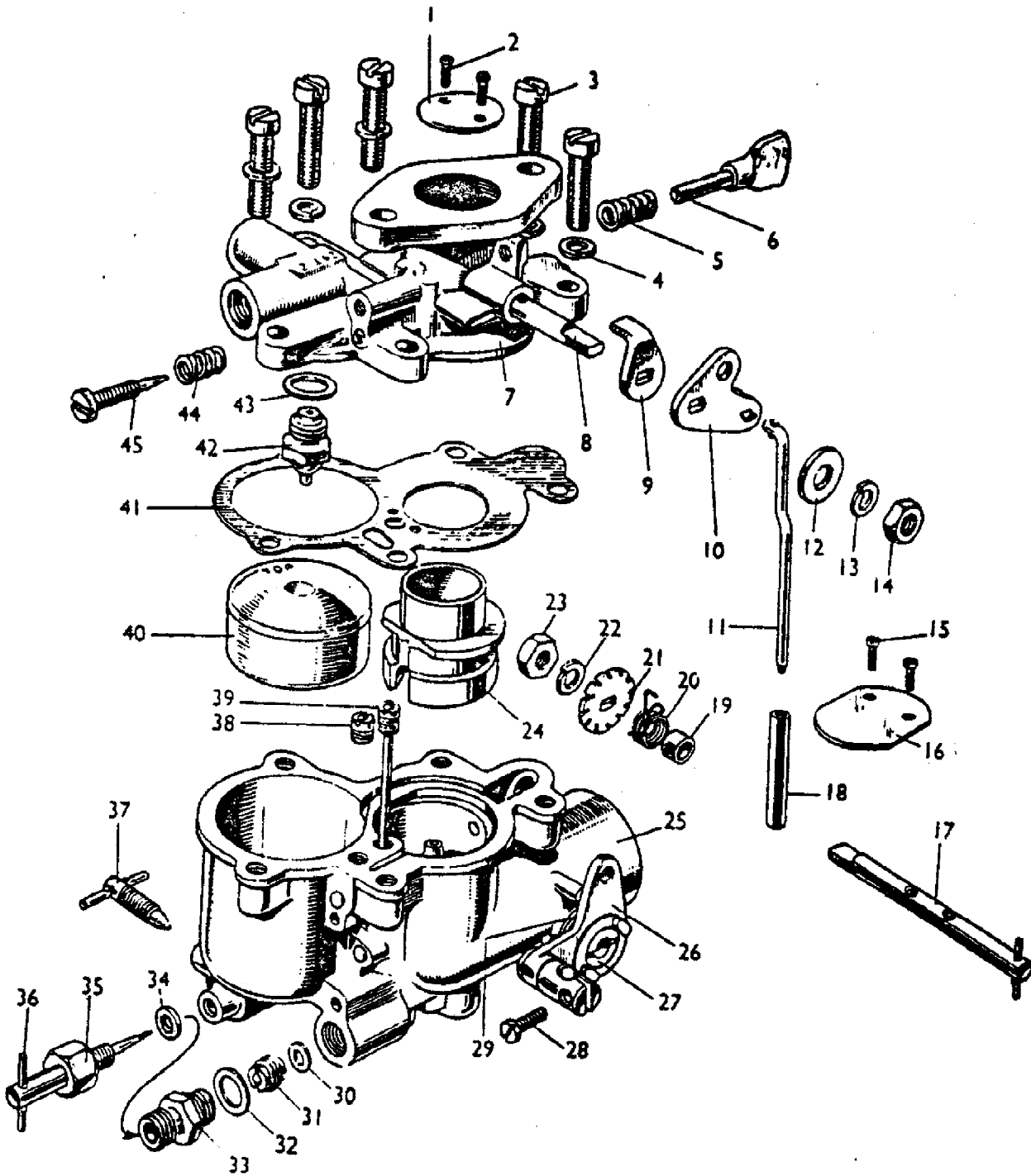


FIG. 27

AGCO Corporation  
Parts List Report

Massey Ferguson (Europe)  
TE 20 TRACTOR  
Page 86 - CARBURETTOR - ZENITH

Item	Part Number	Qty	Part Description	Comments
				ZENITH
				80 M/M PET., 85 M/M PET., 85 M/M V.O., 85 M/M L.O.
	58191	1	Carburettor	80 M/M PET Not Serviced, Order 200361
	200113	1	Carburettor	80 M/M PET Not Serviced, Order 200361
	200146	1	Carburettor	85 M/M VO, 85 M/M LO Not Serviced, Order 200361
	200361	1	Carburettor	80 M/M PET
	200362	1	Carburettor	85 M/M VO, 85 M/M LO Up to Serial or Engine Number S235,775E (V.O.) Up to Serial or Engine Number SB11,044E (L.O)
	200363	1	Carburettor	85 M/M PET Up to Serial or Engine Number SC93,794E
1	58518	1	Throttle Bush	
2	825226M1	2	Screw	
3	825239M1	5	Screw	
4	825272M1	5	Washer	
5	825231M1	1	Spring	
6	825230M1	1	Screw	
7	58517	1	Barrel	80 M/M PET
	500075	1	Barrel	85 M/M VO, 85 M/ LO
	500720	1	Barrel	85 M/M PET
8	58519	1	Spindle	
9	58521	1	Case Assy	
10	58522	1	Lever	
11	58544	1	Rod	
12	58523	1	Washer	
13	825272M1	1	Washer	
14	49612X	1	Nut Bsf	
15	825226M1	2	Screw	
16	58539	1	Panel	
17	58538	1	Spindle	
18	58543	1	Tube	
19	58540	1	Sleeve	
20	58541	1	Spring	
21	58542	1	Thruster	
22	825272M1	1	Washer	
23	49612X	1	Nut Bsf	

---

24	58531	1	Shroud	17 MM
	59836	AR	Tube	18 MM
25	500077	1	Bowl	85 M/M VO, 85 M/M LO
	500721	1	Container	80 M/M PET, 85 M/M PET
26	58534	1	Lever	80 M/M PET, 85 M/M VO, 85 M/M LO USE WITH 58191, 200113, 200146
	500722	1	Lever	USE WITH 200361, 200362, 200363
27	58536	1	Bearing	
28	58545	1	Screw	
29	58535	1	Spring	
30	58547	1	Gasket	
31	58546	1	Jet	80 M/M PET
	500078/100	1	Jet	80 M/M PET, 85 M/M PET
	500078/105	1	Jet	85 M/M VO, 85 M/ LO
32	59552	1	Washer	
	59551	1	Jet	80 M/M PET INCL. REF. 33 - 36 Not Serviced, Order 58191
	500726	1	Jet	INCL. REF. 33 - 36
33	59629	1	Adaptor	
34	58549	1	Packing	
35	58550	1	Nut	
36	58548	1	Tip	80 M/M PET Not Serviced, Order 59551
	500724	1	Valve	Not Serviced, Order 500726
37	825269M1	1	Plug	
38	59554	1	Jet	
39	59553	1	Tube	
40	58530	1	Float	
41	58532	1	Gasket	
42	58528	1	Needle	80 M/M PET, 85 M/M VO, 85 M/M LO Not Serviced, Order 58191 Not Serviced, Order 200113 Not Serviced, Order 200146
	825492M91	1	Valve	Not Serviced, Order 200361 Not Serviced, Order 200362 Not Serviced, Order 200363
43	825235M1	AR	Washer	Not Serviced, Order 58191 Not Serviced, Order 200113 Not Serviced, Order 200146

---

---

Not Serviced, Order 200361

Not Serviced, Order 200362

Not Serviced, Order 200363

44	825233M1	1	Spring
45	825232M1	1	Screw

---