

"20" TRACTOR PARTS LIST

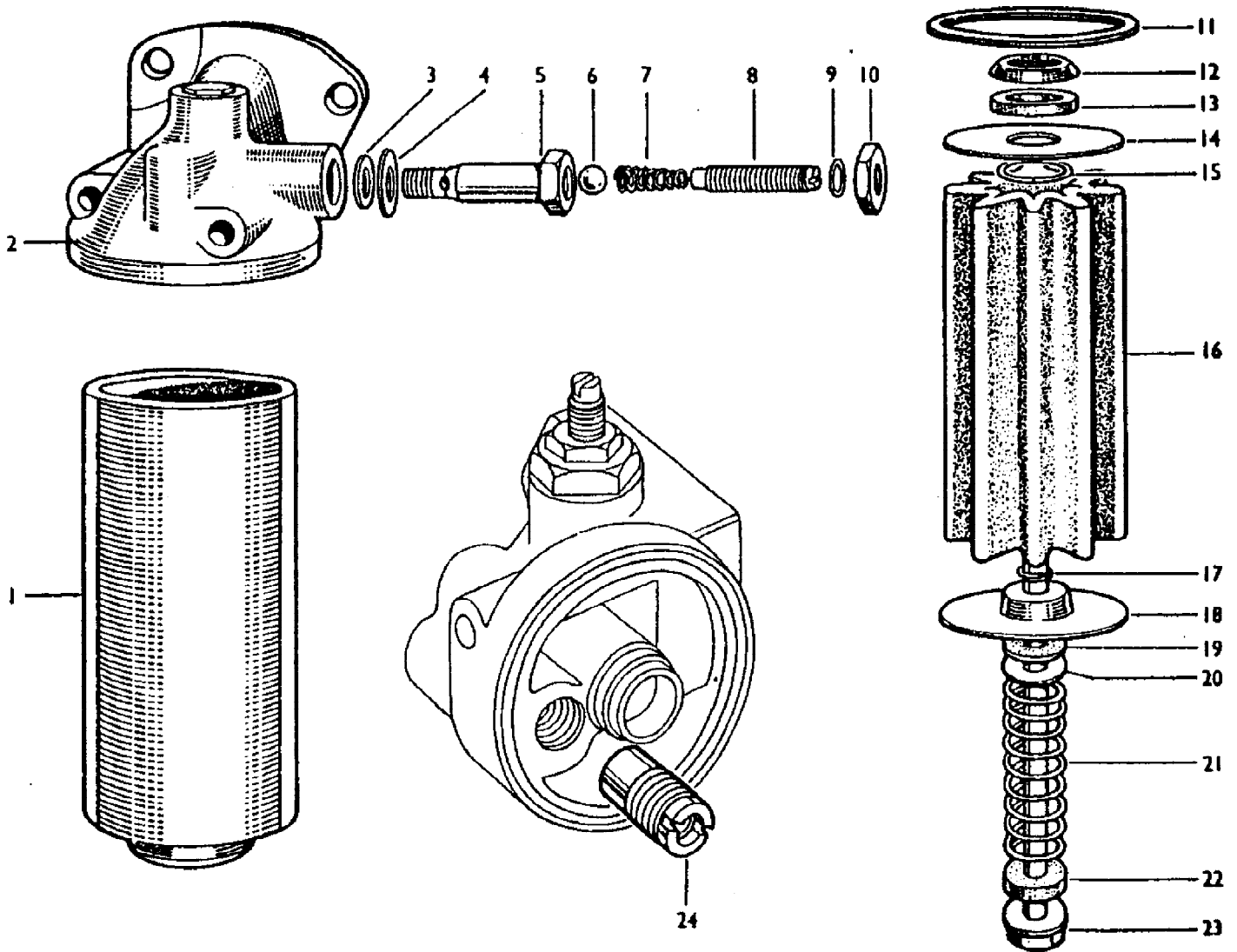


FIG. 26B

AGCO Corporation
Parts List Report

Massey Ferguson (Europe)
TE 20 TRACTOR
Page 84 - OIL FILTER - INCLINED

Item	Part Number	Qty	Part Description	Comments
				INCLINED
				FITTED FROM ENGINES NO.SC73612E (PET.), S228022E (V.O.) AND SB10596E (L.O.). 85 M/M PET., 85 M/M V.O., 85 L.O.
	825913M91	1	Oil Filter	
1	825809M91	1	Container	
2	827422M91	1	Head	INCLUDES 503909
	827142M1	1	Nut	
3	825270M1	1	Washer	
4	825280M1	1	Washer	
5	825271M1	1	Body	
6	825301M1	1	Ball	
7	825310M1	1	Spring	
8	825311M1	1	Plug	
9	825104M1	1	Lead	
10	827445M1	1	Nut	
11	825810M1	1	Gasket	
12	825281M1	1	Washer	
13	825279M1	1	Washer	
14	825117M1	1	Plate	
15	825118M1	1	Spring	
16	825807M1	1	Element	
17	825818M1	1	Clip	SMALL - UP TO SC108,362E (PET.), S241,607E (V.O.) AND SB11,722E (L.O.).
	826690M1	1	Spring	SMALL - FROM SC108,363E (PET.), S241,608E (V.O.) AND SB11,723E (L.O.).
18	825814M1	1	Plate	
19	825817M1	1	Washer	
20	825815M1	1	Washer	
21	825806M1	1	Spring	
22	825816M1	1	Washer	
23	825813M1	1	Bolt	
24	827709M91	1	Valve	