

"20" TRACTOR PARTS LIST

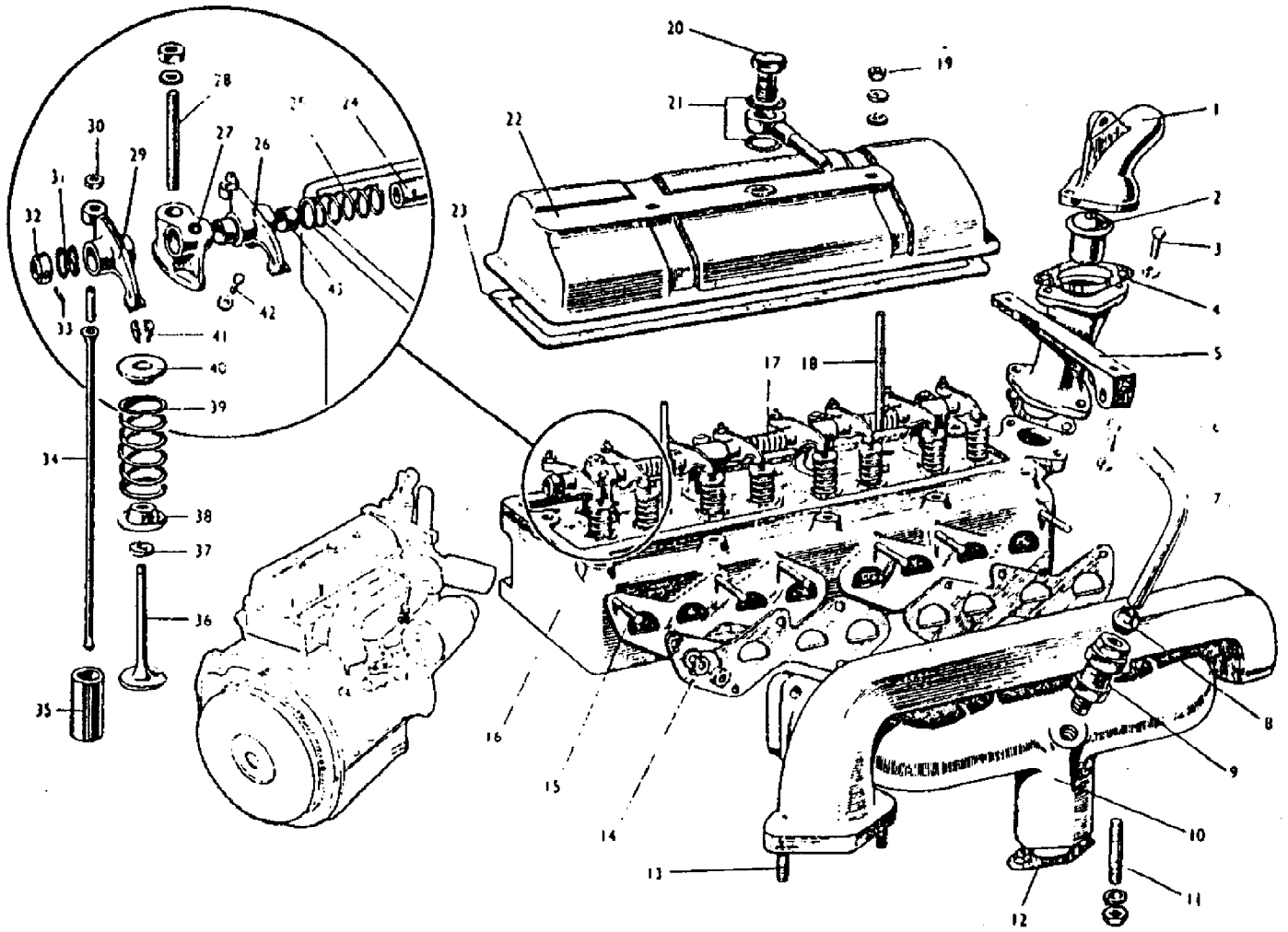


FIG. 25

AGCO Corporation
Parts List Report

Massey Ferguson (Europe)

TE 20 TRACTOR

Page 74 - CYLINDER HEAD AND RELATED PARTS - 80 M/M PET., 85 M/M PET., 85 M/M V.O., 85 M/M L.O.

Item	Part Number	Qty	Part Description	Comments
				80 M/M PET., 85 M/M PET., 85 M/M V.O., 85 M/M L.O.
	59898	1	Cylinder Head	80 M/M PET
	500544	1	Head	85 M/M PET
	300307	1	Head	85 M/M VO
				Up to Serial or Engine Number S170,173E
	501811	1	Head	85 M/M VO
				From Serial or Engine Number S170,174E
	500512	1	Head	85 M/M LO
1	57042	1	Elbow	80 M/M PET, 85 M/M PET, 85 M/M VO
				85 M/M LO
2	825395M1	1	Thermostat	80 M/M PET, 85 M/M PET
	826306M1	1	Thermostat	85 M/M VO, 85 M/M LO
3	353678X1	2	Screw Unc	80 M/M PET, 85 M/M PET, 85 M/M VO
				85 M/M LO
	353446X1	2	Lock Washer	85 M/M PET, 85 M/M PET, 85 M/M VO
				85 M/M LO
4	825659M1	2	Gasket	85 M/M PET, 85 M/M PET, 85 M/M VO
				85 M/M L.O.
5	57030	1	Body	80 M/M PET
	200192	1	Body	85 M/M VO
				(A)
	200673	1	Body	85 M/M PET
				(A)
	200781	1	Body	85 M/M PET
				(B)
				From Serial or Engine Number S165,407E
				Up to Serial or Engine Number S170,173E - V.O.
	200781	1	Body	85 M/M VO
				From Serial or Engine Number S165,407E
				Two Wheel Drive S170,173E - V.O.
	200782	1	Body	85 M/M VO
				From Serial or Engine Number S170,174E
	200452	1	Body	85 M/M LO

	57073	1	Connection	80 M/M PET , 85 M/M PET, 85 M/M VO, 85 M/M LO . NOT ILLUSTRATED
	827618M1	2	Clamp	80 M/M PET , 85 M/M PET, 85 M/M VO, 85 M/M LO . NOT ILLUSTRATED
6	353678X1	2	Screw Unc	80 M/M PET , 85 M/M PET, 85 M/M VO
	353446X1	2	Lock Washer	80 M/M PET , 85 M/M PET, 85 M/M VO
	101674	2	Stud	85 M/M LO 5/16" X 1-1/4"
	353916X1	2	Nut Unf	85 M/M LO
7	60898	1	Tube Assy	80 M/M PET , 85 M/M PET
	826326M91	1	Pipe	85 M/M VO, 85 M/M LO
	60901	1	Needle	80 M/M PET
	60901	1	Needle	(C) 85 M/M PET , 85 M/M VO, 85 M/M LO
	60966	1	Washer	80 M/M PET
	60966	1	Washer	(C) 85 M/M PET , 85 M/M VO, 85 M/M LO
	825414M1	1	Distance Piece	(D) 85 M/M PET , 85 M/M VO, 85 M/M LO
8	59890	1	Cover	80 M/M PET
9	57889	1	Pressure Valve	80 M/M PET
	37417	1	Injection Pump	80 M/M PET (A) Up to Serial or Engine Number S112,390E PET Up to Serial or Engine Number S165,406E VO (B) From Serial or Engine Number S112,391E PET (C) Up to Serial or Engine Number SC12,030E PET Up to Serial or Engine Number S183,052E VO Up to Serial or Engine Number SB5,165E LO (D) From Serial or Engine Number SC 12,031E PET From Serial or Engine Number S183,053E VO From Serial or Engine Number SB5,166E LO
10	60974	1	Manifold	80 M/M PET

	301822	1	Manifold	85 M/M PET
	826307M1	1	Manifold	85 M/M VO, 85 M/M LO
11	825286M1	2	Stud	5/16" 80 M/M PET, 85 M/M PET, 85 M/M VO, 85 M/M LO
	353916X1	2	Nut Unf	80 M/M PET, 85 M/M PET, 85 M/M VO, 85 M/M LO
	353446X1	2	Lock Washer	80 M/M PET, 85 M/M PET, 85 M/M VO, 85 M/M LO
12	58297	1	Gasket	80 M/M PET, 85 M/M PET, 85 M/M VO, 85 M/M LO Up to Serial or Engine Number SC93,794E (PET), Up to Serial or Engine Number S235,775E (V.O.), Up to Serial or Engine Number SB11,044E (L.O.)
	825931M1	1	Gasket	85 M/M PET, 85 M/M VO, 85 M/M LO From Serial or Engine Number SC93,795E (PET), From Serial or Engine Number S235,776E (V.O.) From Serial or Engine Number S2B11,045E (L.O.)
13	825183M1	2	Stud	3/8" 80 M/M PET, 85 M/M PET, 85 M/M VO, 85 M/M LO
14	825194M2	2	Gasket	80 M/M PET, 85 M/M PET, 85 M/M VO, 85 M/M LO
15	825183M1	10	Stud	3/8" 80 M/M PET, 85 M/M PET, 85 M/M VO, 85 M/M LO
	825187M1	10	Nut	80 M/M PET, 85 M/M PET
	825187M1	8	Nut	85 M/M VO, 85 M/M LO
	353434X1	10	Lock Washer	80 M/M PET, 85 M/M PET
	353434X1	8	Lock Washer	85 M/M VO, 85 M/M LO
	353756X1	10	Washer	80 M/M PET, 85 M/M PET
	353756X1	8	Washer	85 M/M VO, 85 M/M LO
16	500036	1	Head	80 M/M PET
	300501	1	Cylinder Head	85 M/M PET
	500208	1	Head	85 M/M VO

	500525	1	Head	(A) 85 M/M VO
	501809	1	Cylinder Head	(B) 85 M/M VO
	300340	1	Head	85 M/M LO
17	825174M1	1	Spring	80 M/M PET, 85 M/M PET, 85 M/M VO, 85 M/M LO
18	825133M1	2	Stud	5/16" 80 M/M PET, 85 M/M PET, 85 M/M VO, 85 M/M LO
19	353916X1	2	Nut Unf	80 M/M PET, 85 M/M PET, 85 M/M VO, 85 M/M LO
	353755X1	2	Washer	80 M/M PET, 85 M/M PET, 85 M/M VO, 85 M/M LO
	825296M1	2	Washer	80 M/M PET, 85 M/M PET, 85 M/M VO, 85 M/M LO
20	58182	1	Water Pump	80 M/M PET
	58182	1	Water Pump	(C) 85 M/M PET, 85 M/M VO, 85 M/M LO
	825411M1	1	Screw	(D) 85 M/M PET, 85 M/M VO, 85 M/M LO
	825412M1	1	Screw	(D) 85 M/M PET, 85 M/M VO, 85 M/M LO
	825413M1	1	Pin	(D) 85 M/M PET, 85 M/M VO, 85 M/M LO
				(A) From Serial or Engine Number S170,174E VO Up to Serial or Engine Number S225,310E VO (B) From Serial or Engine Number S225,311E VO (C) Up to Serial or Engine Number SC12,030E PET Up to Serial or Engine Number S183,052E VO Up to Serial or Engine Number SB5,165E LO (D) From Serial or Engine Number SC 12,031E PET From Serial or Engine Number S183,053E VO From Serial or Engine Number SB5,166E LO
21	825299M1	2	Washer	80 M/M PET, 85 M/M PET, 85 M/M V.O., 85 M/M L.O.
22	825134M91	1	Cover	80 M/M PET, 85 M/M PET, 85 M/M V.O.,

23	825132M1	1	Gasket	85 M/M L.O. 80 M/M PET, 85 M/M PET, 85 M/M V.O. 85 M/M L.O.
24	825213M2	1	Shaft	80 M/M PET, 85 M/M PET, 85 M/M V.O., 85 M/M L.O.
25	825129M1	2	Spring	80 M/M PET, 85 M/M PET, 85 M/M V.O., 85 M/M L.O.
26	825392M91	4	Rocker Shaft Ass	80 M/M PET, 85 M/M PET, 85 M/M V.O., 85 M/M L.O. INCL. REF. 43
27	825127M1	1	Pedestal	80 M/M PET, 85 M/M PET, 85 M/M V.O., 85 M/M L.O.
	825128M1	3	Pedestal	80 M/M PET, 85 M/M PET, 85 M/M V.O., 85 M/M L.O.
28	825130M2	4	Stud	80 M/M PET, 85 M/M PET, 85 M/M V.O., 85 M/M L.O.
	353431X1	4	Nut Unf	80 M/M PET, 85 M/M PET, 85 M/M V.O., 85 M/M L.O.
	353434X1	4	Lock Washer	80 M/M PET, 85 M/M PET, 85 M/M V.O., 85 M/M L.O.
29	825393M91	4	Rocker Shaft Ass	80 M/M PET, 85 M/M PET, 85 M/M V.O., 85 M/M L.O. INCL. REF. 43
30	826120M1	8	Pin	80 M/M PET, 85 M/M PET, 85 M/M V.O., 85 M/M L.O.
	825196M1	8	Nut	80 M/M PET, 85 M/M PET, 85 M/M V.O., 85 M/M L.O.
31	825110M1	2	Spring	80 M/M PET, 85 M/M PET, 85 M/M V.O., 85 M/M L.O.
32	825314M1	2	Cap	80 M/M PET, 85 M/M PET, 85 M/M V.O., 85 M/M L.O.
33	354900X1	2	Pin	80 M/M PET, 85 M/M

				PET, 85 M/M V.O., 85 M/M L.O.
34	61128	8	Rod	80 M/M PET
	825400M1	8	Rod	85 M/M PET
	100377	8	Rod	85 M/M VO
				Up to Serial or Engine Number S170173E
	826300M1	8	Rod	85 M/M VO
				From Serial or Engine Number S170174E
	826332M1	8	Rod	85 M/M LO
35	825209M1	8	Tappet	80 M/M PET, 85 M/M PET, 85 M/M V.O., 85 M/M L.O.
36	56551	4	Valve	80 M/M PET
	101871	4	Valve	85 M/M PET, 85 M/M LO
				Up to Serial or Engine Number S225,311E V.O.
	101871	4	Valve	(A) 85 M/M VO
				Up to Serial or Engine Number S225,311E V.O.
	108717	4	Valve	85 M/M VO
				From Serial or Engine Number S225,312E
	100651	4	Valve	85 M/M VO
				Not Serviced, Order 56551
	58636	4	Valve	80 M/M PET
	100652	4	Valve	85 M/M PET, 85 M/M VO, 85 M/M LO
				Not Serviced, Order 58636
37				DISCONTINUED FOR SERVICE
38				DISCONTINUED FOR SERVICE
39	825186M1	8	Spring	80 M/M PET, 85 M/M PET, 85 M/M V.O., 85 M/M L.O.
				(A)
				From Serial or Engine Number S170,174E
				Up to Serial or Engine Number S225,311E
40	825257M1	8	Collar	80 M/M PET, 85 M/M PET, 85 M/M VO, 85 M/M LO
41	825258M1	8	Cone	(8 PR) 80 M/M PET, 85 M/M PET, 85 M/M VO, 85 M/M LO
42	825107M1	1	Screw	80 M/M PET, 85 M/M PET, 85 M/M VO, 85 M/M LO
	825125M1	1	Washer	80 M/M PET, 85 M/M PET, 85 M/M VO, 85

43	825108M1	16	Bush	M/M LO 80 M/M PET, 85 M/M PET, 85 M/M VO, 85 M/M LO
	825259M1	8	Guide	NOT ILLUSTRATED 80 M/M PET, 85 M/M PET, 85 M/M VO, 85 M/M LO
	827247M1	1	Plug	80 M/M PET, 85 M/M PET
	827248M1	1	Gasket	80 M/M PET, 85 M/M PET
	826284M1	8	Tube	80 M/M PET, 85 M/M PET, 85 M/M VO Up to Serial or Engine Number S170,173E-V.O.
	101924	8	Tube	(C) 85 M/M VO
	826335M1	8	Tube	85 M/M LO
	825102M1	1	Plug	1-3/4" DIA. 80 M/M PET, 85 M/M VO
	825102M1	1	Plug	1-3/4" DIA. (A) 85 M/M PET
	825188M1	1	Plug	(B) 85 M/M PET 1-1/4" DIA.
	825188M1	1	Plug	(C) 85 M/M VO 1-1/4" DIA.
	825188M1	1	Plug	85 M/M LO 1-1/4" DIA.
	59877	1	Plug	1 X 14 N.F. 80 M/M PET, 85 M/M PET, 85 M/M VO, 85 M/M LO
	825747M1	1	Washer	80 M/M PET, 85 M/M PET, 85 M/M VO, 85 M/M LO
	38CBH38B	1	Screw	80 M/M PET, 85 M/M PET, 85 M/M VO, 85 M/M LO
	825396M1	4	Insert	80 M/M PET, 85 M/M PET, 85 M/M VO, 85 M/M LO
	500414	AR	Kit, Gasket	80 M/M PET
	501923	AR	Kit,Joint/Gasket	85 M/M PET, 85 M/M VO, 85 M/M LO INCL. 202084
	501821	AR	Kit,Joint/Gasket	85 M/M PET, 85 M/M

			VO, 85 M/M LO
			INCL. 202085
102664	4	Seat	85 M/M PET, 85 M/M VO, 85 M/M LO
2242	1	Clip	85 M/M VO, 85 M/M LO
827407M1	1	Clip	85 M/M VO, 85 M/M LO
827408M1	1	Clip	85 M/M VO, 85 M/M LO
827409M1	1	Clip	85 M/M VO, 85 M/M LO
107512	1	Clip	85 M/M VO, 85 M/M LO
827788M1	2	Adaptor	85 M/M VO, 85 M/M LO
			Alternative
826308M91	2	Adaptor	85 M/M VO, 85 M/M LO
			Alternative
826321M1	2	Screw	85 M/M VO, 85 M/M LO
353757X1	2	Washer	85 M/M VO, 85 M/M LO
825368M1	1	Plate	85 M/M PET, 85 M/M VO, 85 M/M LO
200119	1	Shield	(A) 85 M/M VO
200197	1	Bracket Assy.	(A) 85 M/M VO
826313M91	1	Shield	(B) 85 M/M VO
826313M91	1	Shield	85 M/M LO
826318M91	1	Bracket Assy.	(B) 85 M/M VO
826318M91	1	Bracket Assy.	85 M/M LO
101972	1	Tube Assy	85 M/M PET
109099	1	Tube Assy	(C) 85 M/M VO
200254	1	Tube Assy	85 M/M LO
825390M1	1	Plate	85 M/M PET
826325M1	1	Plate	(C) 85 M/M VO
826325M1	1	Plate	85 M/M LO
825391M1	1	Joint	85 M/M PET
826327M1	1	Joint	(C) 85 M/M VO
826327M1	1	Joint	85 M/M LO
353676X1	10	Screw Unc	80 M/M PET
353686X1	2	Bolt Unc	85 M/M PET, 85 M/M LO
353686X1	2	Bolt Unc	(C) 85 M/M VO
353446X1	10	Lock Washer	80 M/M PET
353446X1	2	Lock Washer	85 M/M PET, 85 M/M LO
353446X1	2	Lock Washer	(C) 85 M/M VO
103810	10	Nut	85 M/M PET, 85 M/M VO, 85 M/M LO
353757X1	10	Washer	85 M/M PET, 85 M/M VO, 85 M/M LO
502861	AR	Kit, Valve	85 M/M PET, 85 M/M VO, 85 M/M LO

112416	4	Valve Exhaust	85 M/M PET , 85 M/M VO, 85 M/M LO
112417	4	Collar	85 M/M PET , 85 M/M VO, 85 M/M LO
112415	4	Collar	85 M/M PET , 85 M/M VO, 85 M/M LO (4 PR)
112414	4	Cap	85 M/M PET , 85 M/M VO, 85 M/M LO
112418	4	Circlip	85 M/M PET , 85 M/M VO, 85 M/M LO
104766	4	Guide	85 M/M PET , 85 M/M VO, 85 M/M LO (A) Up to Serial or Engine Number S112,390E PET Up to Serial or Engine Number S165,406E VO (B) From Serial or Engine Number S112,391E PET From Serial or Engine Number S165,407E VO (C) From Serial or Engine Number S170,174E

AGCO Corporation
Manufacturer Notes Report

Massey Ferguson (Europe)

TE 20 TRACTOR

Page 74 CYLINDER HEAD AND RELATED PARTS - 80 M/M PET., 85 M/M PET., 85 M/M V.O., 85 M/M
L.O.

Notes

Bypass hose, 60582. See TE-20 page 167 in book.

-BM25/10/96

Item 23 Rocker gasket - 829029m1
