

"20" TRACTOR PARTS LIST

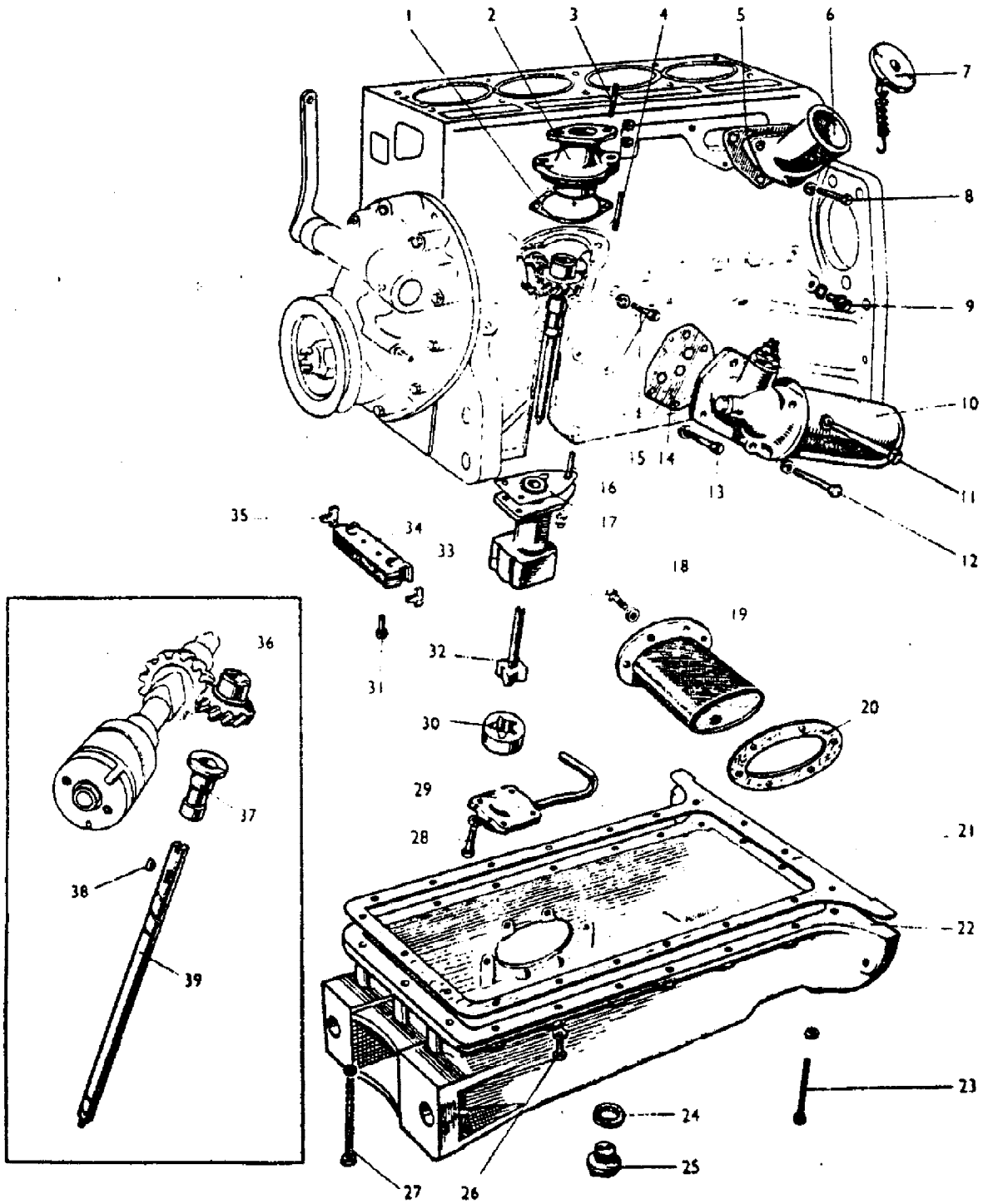


FIG. 24

AGCO Corporation
Parts List Report

Massey Ferguson (Europe)

TE 20 TRACTOR

Page 70 - OIL SUMP, OIL PUMP AND DISTRIBUTOR SHAFT DETAILS. - 80 M/M PET., 85 M/M PET., 85 M/M V.O., 85 M/M L.O.

Item	Part Number	Qty	Part Description	Comments
				80 M/M PET., 85 M/M PET., 85 M/M V.O., 85 M/M L.O.
1	825662M1	1	Washer	
2	825172M1	1	Bearer	
3	825741M1	2	Stud	1/4" N.F. AND N.C. X .84"
	353918X1	2	Nut Unf	
	353441X1	2	Lock Washer	
	353754X1	2	Washer	
4	825285M1	2	Stud	5/16" N.F. AND N.C. X 1-5/16"
	353916X1	2	Nut Unf	
	353446X1	2	Lock Washer	
5	825655M1	1	Washer	
6	825214M1	1	Body	
7	825398M91	1	Cap	
8	353677X1	3	Screw Unc	
	353446X1	3	Lock Washer	
9	825402M1	3	Screw	
	825484M1	3	Washer	
10	59383	1	Oil Filter	SEE FIG. 26A
	57765	1	Oil Filter	SEE FIG. 26
	825913M91	1	Oil Filter	SEE FIG. 26B
11	825918M1	1	Bolt	
	353446X1	1	Lock Washer	
	355507X1	2	Bolt	FOR 57765 ONLY.
	353446X1	2	Lock Washer	
12	825917M1	1	Bolt	
	353446X1	1	Lock Washer	
	354620X1	1	Bolt Unc	FOR 57765 ONLY.
	353446X1	1	Lock Washer	
13	353679X1	1	Screw Unc	FOR 59383.
	353446X1	1	Lock Washer	
	825916M1	1	Bolt	FOR 825913M91.
14	56420	1	Washer	FOR 59383.
	57767	1	Gasket	FOR 57765 ONLY.
	825914M1	1	Gasket	FOR 825913M91.
15	353680X1	1	Screw Unc	FOR 59383.

	353446X1	1	Lock Washer	
	59874	1	Stud	FILTER ATTACHMENT FOR 57765. 5/16" N.F. AND N.C. X 1-11/16"
	353916X1	1	Nut Unf	
	353446X1	1	Lock Washer	
	825916M1	1	Bolt	FOR 825913M91.
16	825666M1	3	Stud	5/16" N.F. AND N.C. X 1-1/4"
	353916X1	3	Nut Unf	
	353446X1	3	Lock Washer	
17	825652M1	1	Gasket	
18	353676X1	6	Screw Unc	
	353755X1	6	Washer	
	825324M1	6	Stud	5/16" N.C. AND N.F. X 7/8"
	353755X1	6	Washer	
	353916X1	6	Nut Unf	
19	825164M91	1	Screen	Alternative 825925M91
19	825925M91	1	Chaffer	Alternative 825164M91
20	825653M1	1	Gasket	
21	825654M1	1	Washer	
22	59323	1	Sump	
23	354901X1	4	Bolt Unc	
	353446X1	4	Lock Washer	
24	825295M1	1	Washer	
25	825219M1	1	Plug	1" X 14 N.F.
26	825920M1	12	Screw	
	353446X1	12	Lock Washer	
27	31CBH550B	3	Bolt	
	353446X1	3	Lock Washer	
	825494M91	1	Pump	COMPRISING ITEMS 28,29,30,32 AND 33.
28	SP.1.C.	4	Bolt	1/4" B.S.F. X 3/4"
	353441X1	4	Lock Washer	
29	825204M91	1	Cover	
30			Rotor	Not Serviced, Order 827501M91
31	825184M1	2	Screw	
32	827501M91	1	Spindle	INCLUDES ITEM 30.
33	57319	1	Body	Up to Serial or Engine Number 250,171
	825455M1	1	Body	From Serial or Engine Number 250,172
34	825126M1	1	Block	
35	825261M1	2	Pad	
36	825264M91	1	Gear	
37	825171M1	1	Bush	
38	13793X	1	Key Door	
39	825263M1	1	Shaft	
