

"20" TRACTOR PARTS LIST

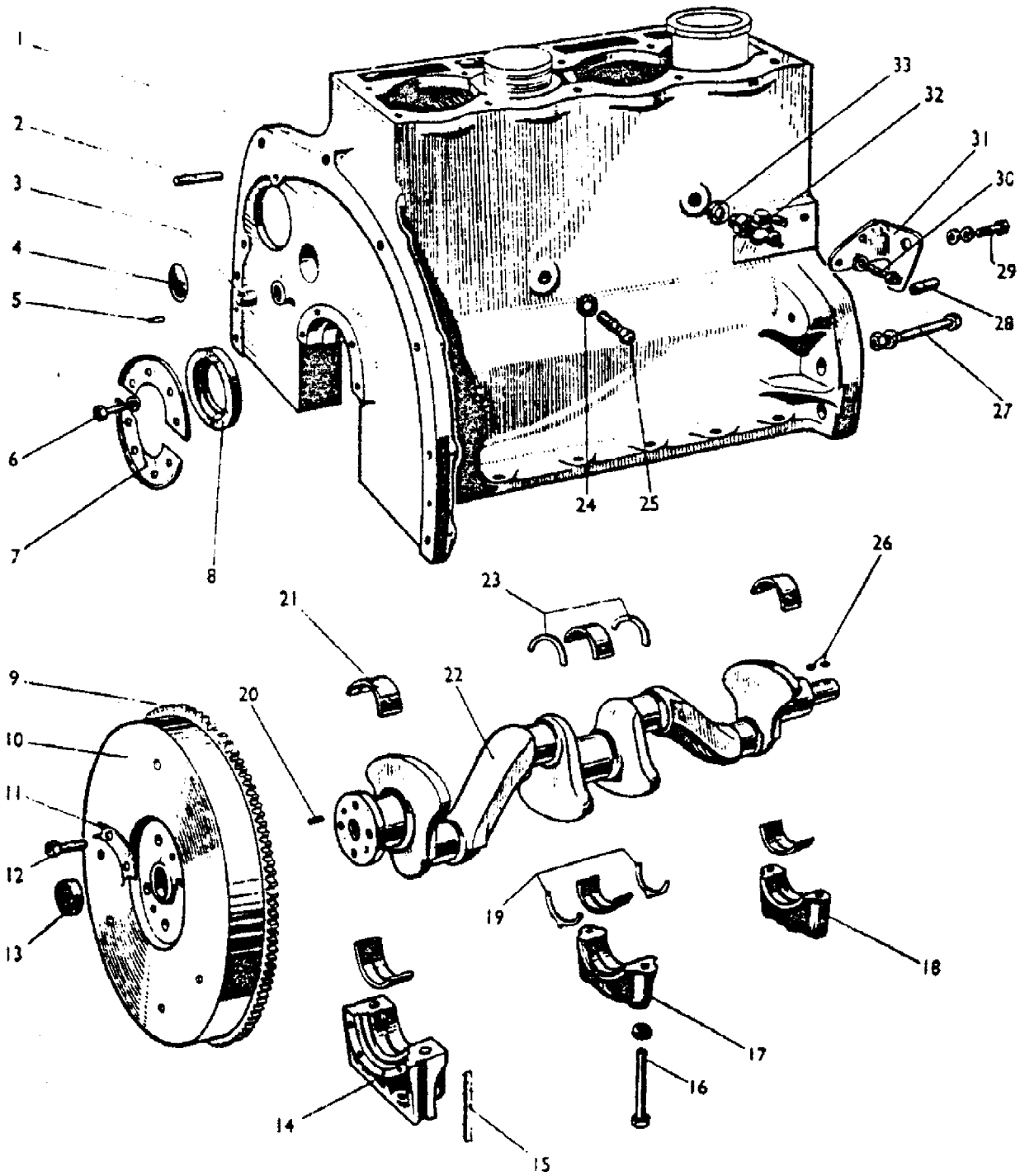


FIG. 21

AGCO Corporation
Parts List Report

Massey Ferguson (Europe)

TE 20 TRACTOR

Page 58 - CYLINDER BLOCK - 80 M/M PET., 85 M/M PET., 85 M/M V.O., 85 M/M L.O., 20C DIESEL

Item	Part Number	Qty	Part Description	Comments
				80 M/M PET., 85 M/M PET., 85 M/M V.O., 85 M/M L.O., 20C DIESEL
	57963	1	Engine	80 M/M PET 6-VOLT EQUIPMENT
	500037	1	Engine	* 85 M/M PET 6-VOLT EQUIPMENT
	500541	1	Engine	(+) 85 M/M PET 12-VOLT EQUIPMENT
	500038	1	Engine	* 85 M/M VO 6-VOLT EQUIPMENT
	500542	1	Engine	(++) 85 M/M VO 12-VOLT EQUIPMENT
	502038	1	Engine	** 85 M/M VO 12-VOLT EQUIPMENT
	500220	1	Extension	* 85M/M LO 6-VOLT EQUIPMENT
	500543	1	Engine	(+) 85 M/M LO 12-VOLT EQUIPMENT
	59833	1	Engine	80 M/M PET
	500715	1	Engine	* 85 M/M PET
	500716	1	Engine	(+) 85 M/M PET
	300306	1	Engine	* 85 M/M VO
	500674	1	Engine	(++) 85 M/M VO
	502037	1	Engine	** 85 M/M VO
	500672	1	Engine	* 85 M/M LO
	500675	1	Engine	(+) 85 M/M LO
1	57964	1	Cylinder Block	80 M/M PET
	300101	1	Cylinder Block	* 85 M/M PET, 85 M/M VO, 85 M/M LO
	500545	1	Block	(+) 85 M/M PET, 85 M/M VO, 85 M/M LO
2	59876	1	Stud	
3	825190M1	2	Plug	
4	825109M1	1	Plug	
5	825302M1	2	Dowel	
6	353665X1	8	Screw Unc	
	353441X1	8	Lock Washer	
7	825176M1	2	Retainer	
8	825208M1	1	Seal	

9	56287	1	Annular Gear	80 M/M PET
9	56287	1	Annular Gear	* 85 M/M PET, 85 M/M VO, 85 M/M LO
	825452M1	1	Gear	(+) 85 M/M PET, 85 M/M VO, 85 M/M LO
10	60219	1	Flywheel Assy.	80 M/M PET
10	60219	1	Flywheel Assy.	* 85 M/M PET, 85 M/M VO, 85 M/M LO
	102969	1	Flywheel	(+) 85 M/M PET, 85 M/M VO, 85 M/M LO (*) Up to Serial or Engine Number S112390E (PET) Up to Serial or Engine Number S165,406E (V.O.) Up to Serial or Engine Number SB2732E (L.O.) (+) From Serial or Engine Number S112,391E (PET) From Serial or Engine Number SB27,33E (L.O.) (++) From Serial or Engine Number S165,407E Up to Serial or Engine Number S170,173E (V.O.) (**) From Serial or Engine Number S170,174E (V.O.)
11	825179M1	2	Plate	
12	825180M1	4	Screw	
13	195174M1	1	Bearing	
14			Cap	
15	825220M1	2	Felt	
16	825197M1	6	Screw	
	825849M1	6	Washer	
17			Cap	
18			Cap	
19	825112M1	2	Washer	
	826240M1	AR	Washer	.005" O/S
20	825470M1	1	Dowel	
21	825840M1	3	Bearing	(3 PR)
	825837M1	AR	Bearing	.010" UNDERSIZE
	825982M1	AR	Bearing	.020" UNDERSIZE
	825983M1	AR	Bearing	.030" UNDERSIZE
	825984M1	AR	Bearing	.040" UNDERSIZE
22	55544	1	Crankshaft	80 M/M PET
	825216M1	1	Shaft	
23	825111M1	2	Washer	
	826239M1	AR	Washer	.005" O/S
24	825293M1	1	Washer	5/8" 1/DIA. X 7/8" O/DIA. X 1/16" THK.
	825294M1	1	Washer	9/16" 1/DIA. X

				13/16" O/DIA. X 1/16" THK.
25	825205M1	1	Screw	
26	2951X	2	Key	
27	353589X1	1	Bolt Unf	* 80 M/M PET, 85 M/M VO, 85 M/M LO
	353426X1	1	Nut Unf	* 80 M/M PET, 85 M/M VO, 85 M/M LO
	353432X1	1	Lock Washer	* 80 M/M PET, 85 M/M VO, 85 M/M LO
	353517X1	1	Screw Unf	(+) 80 M/M PET, 85 M/M VO, 85 M/M LO
	353517X1	1	Screw Unf	85 M/M PET
	353916X1	1	Nut Unf	(+) 80 M/M PET, 85 M/M VO, 85 M/M LO
	353916X1	1	Nut Unf	85 M/M PET
	353446X1	1	Lock Washer	80 M/M PET., 85 M/M PET., 85 M/M V.O., 85 M/M L.O.
	353446X1	1	Lock Washer	85 M/M PET Up to Serial or Engine Number S78,293E (PET) Up to Serial or Engine Number S132,605E (V.O.) Up to Serial or Engine Number SB119E (L.O.) (+) From Serial or Engine Number S78,294E (PET) From Serial or Engine Number S132,606E (V.O.) From Serial or Engine Number SB120E (L.O.)
28	56418	1	Distance Piece	* 80 M/M PET, 85 M/M VO, 85 M/M LO
	825367M1	1	Link	(+) 80 M/M PET, 85 M/M VO, 85 M/M LO
	825367M1	1	Link	85 M/M PET
29	353885X1	1	Bolt Unf	* 80 M/M PET, 85 M/M VO, 85 M/M LO
	353432X1	1	Lock Washer	* 80 M/M PET, 85 M/M VO, 85 M/M LO
	353757X1	1	Washer	* 80 M/M PET, 85 M/M VO, 85 M/M LO
	353678X1	1	Screw Unc	(+) 80 M/M PET, 85 M/M VO, 85 M/M LO
	353678X1	1	Screw Unc	85 M/M PET
	353446X1	1	Lock Washer	(+) 80 M/M PET, 85 M/M VO, 85 M/M LO
	353446X1	1	Lock Washer	85 M/M PET
	353755X1	1	Washer	(+) 80 M/M PET, 85 M/M VO, 85 M/M LO
	353755X1	1	Washer	85 M/M PET
	500837	AR	Washer	(+) 80 M/M PET, 85

				M/M VO, 85 M/M LO
	500837	AR	Washer	85 M/M PET
30	353677X1	2	Screw Unc	
	353446X1	2	Lock Washer	
31	56417	1	Bracket Assy.	* 80 M/M PET, 85 M/M VO, 85 M/M LO
	100767	1	Bracket Assy.	(+) 80 M/M PET, 85 M/M VO, 85 M/M LO
	100767	1	Bracket Assy.	85 M/M PET
32	825326M1	1	Tap	
33	825291M1	1	Washer	
				NOT ILLUSTRATED
	353519X1	2	Screw Unf	(+) 80 M/M PET, 85 M/M VO, 85 M/M LO
	353519X1	2	Screw Unf	85 M/M PET
	353916X1	2	Nut Unf	(+) 80 M/M PET, 85 M/M VO, 85 M/M LO
	353916X1	2	Nut Unf	85 M/M PET
	353446X1	2	Lock Washer	(+) 80 M/M PET, 85 M/M VO, 85 M/M LO
	353446X1	2	Lock Washer	85 M/M PET
	101648	1	Cover	85 M/M PET, 85 M/M LO
				Up to Serial or Engine Number SC30760E (PET) Up to Serial or Engine Number SB8404E (L.O.)
	101648	1	Cover	** 85 M/M VO
				Up to Serial or Engine Number SC30760E (PET) Up to Serial or Engine Number SB8404E (L.O.)
	101649	1	Gasket	85 M/M PET, 85 M/M LO
				Up to Serial or Engine Number SC30760E (PET) Up to Serial or Engine Number SB8404E (L.O.)
	101649	1	Gasket	** 85 M/M VO
				Up to Serial or Engine Number SC30760E (PET) Up to Serial or Engine Number SB8404E (L.O.)
	101676	2	Bolt	85 M/M PET, 85 M/M LO
				Up to Serial or Engine Number SC30760E (PET) Up to Serial or Engine Number SB8404E (L.O.)
	101676	2	Bolt	** 85 M/M VO
				Up to Serial or Engine Number SC30760E (PET) Up to Serial or Engine Number SB8404E (L.O.)
	353434X1	2	Lock Washer	85 M/M PET, 85 M/M LO
				Up to Serial or Engine Number SC30760E (PET) Up to Serial or Engine Number SB8404E (L.O.)

353434X1

2

Lock Washer

** 85 M/M VO

Up to Serial or Engine Number SC30760E (PET)

Up to Serial or Engine Number SB8404E (L.O.)

(*)

Up to Serial or Engine Number S78,293E (PET)

Up to Serial or Engine Number S132,605E (V.O.)

Up to Serial or Engine Number SB119E (L.O.)

(+)

From Serial or Engine Number S78,294E (PET)

From Serial or Engine Number S132,606E (V.O.)

From Serial or Engine Number SB120E (L.O.)

(**)

From Serial or Engine Number S170,174E

Up to Serial or Engine Number S202,958E (V.O.)
