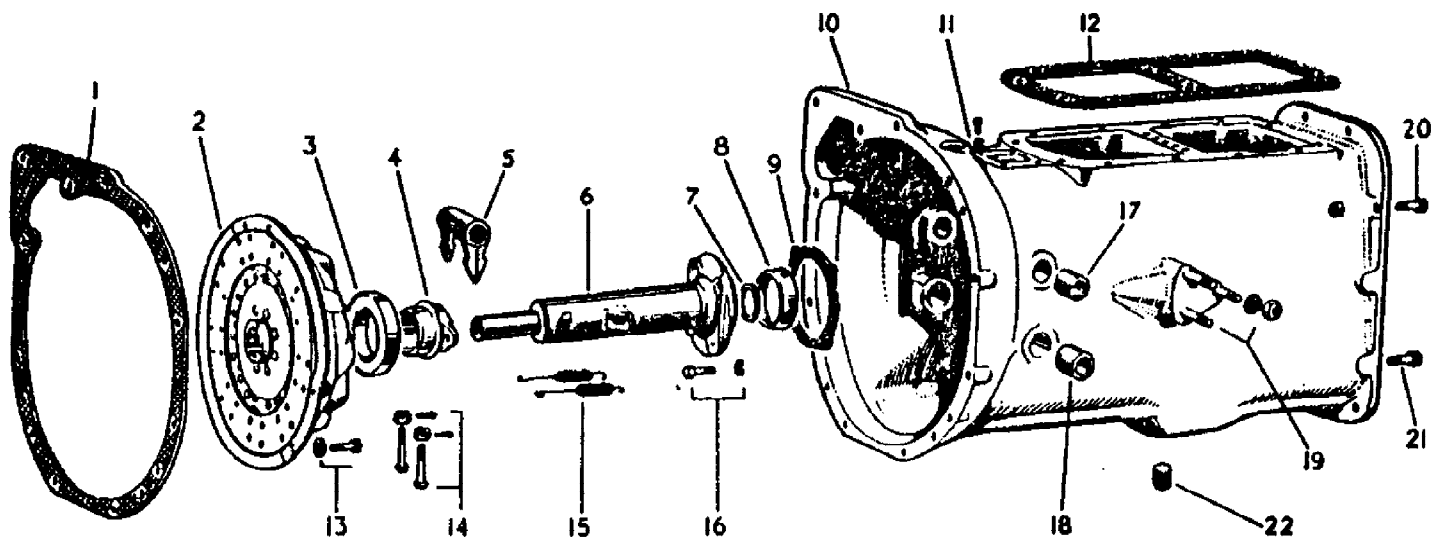


"20" TRACTOR PARTS LIST

FIG. 19



AGCO Corporation  
Parts List Report

Massey Ferguson (Europe)

TE 20 TRACTOR

Page 52 - TRANSMISSION CASE AND RELATED PARTS - 80 M/M PET., 85 M/M PET., 85 M/M V.O., 85 M/M L.O., 20C DIESEL

Item	Part Number	Qty	Part Description	Comments
				80 M/M PET., 85 M/M PET., 85 M/M V.O., 85 M/M L.O., 20C DIESEL
	9579	1	Transmission	80 M/M PET
	9579	1	Transmission	* 85 M/M PET, 85 M/M VO, 85 M/M LO
	9701	1	Transmission	(+) 85 M/M PET, 85 M/M VO, 85 M/M LO
	400271	1	Gearbox	20C DIESEL
1	8607	1	Gasket	80 M/M PET
1	8607	1	Gasket	* 85 M/M PET, 85 M/M VO, 85 M/M LO
	8740	1	Gasket	(+) 85 M/M PET, 85 M/M VO, 85 M/M LO
	8641	1	Gasket	20C DIESEL
2			Clutch	
3	4069	1	Bearing Thrust	
4	4119	1	Hub	
5	4127	1	Fork	
6	7071	1	Housing	
	7219	1	Retainer	20C DIESEL
7	1230	1	Seal	
8			Bearing Cap	Not Serviced, Order 1850223M91
9	1228	1	Gasket	
10	1824	1	Housing	80 M/M PET
	1824	1	Housing	* 85 M/M PET, 85 M/M VO, 85 M/M LO
	2479	1	Housing	(+) 85 M/M PET, 85 M/M VO, 85 M/M LO
	2513	1	Transm.Housing	20C DIESEL
	1246	1	Plug	
11	353675X1	4	Screw Unc	80 M/M PET
	353678X1	4	Screw Unc	80 M/M PET, 85 M/M PET, 85 M/M VO, 85 M/M LO
	353755X1	4	Washer	80 M/M PET, 85 M/M PET, 85 M/M VO, 85 M/M LO
	353681X1	2	Bolt Unc	20C DIESEL

	353686X1	2	Bolt Unc	20C DIESEL
12	7083	1	Gasket	
13	353678X1	6	Screw Unc	80 M/M PET , 85 M/M PET, 85 M/M VO, 85 M/M LO
	353690X1	6	Screw Unc	20C DIESEL
	353446X1	6	Lock Washer	80 M/M PET , 85 M/M PET, 85 M/M VO, 85 M/M LO
	353434X1	6	Lock Washer	20C DIESEL
14	25FSR175BTD	2	Screw	
	353922X1	2	Nut Unf	
	354040X1	2	Pin	
15	1287	2	Spring	
16	353702X1	9	Bolt Unc	80 M/M PET , 85 M/M PET, 85 M/M VO, 85 M/M LO
16	353702X1	7	Bolt Unc	20C DIESEL
	353707X1	2	Screw Unc	80 M/M PET , 85 M/M PET, 85 M/M VO, 85 M/M LO
	353701X1	4	Screw Unc	20C DIESEL
	353426X1	4	Nut Unf	20C DIESEL
17	1321	3	Bush	
18	1322	1	Bush	
19	1583	4	Stud	
	1586	2	Stud	
	353426X1	6	Nut Unf	
	353432X1	6	Lock Washer	
20	353564X1	7	Bolt Unf	80 M/M PET
	353564X1	7	Bolt Unf	* 85 M/M PET, 85 M/M VO, 85 M/M LO
	353426X1	7	Nut Unf	80 M/M PET
	353426X1	7	Nut Unf	* 85 M/M PET, 85 M/M VO, 85 M/M LO
	353564X1	9	Bolt Unf	(+) 85 M/M PET, 85 M/M VO, 85 M/M LO
	353564X1	9	Bolt Unf	20C DIESEL
	353426X1	9	Nut Unf	(+) 85 M/M PET, 85 M/M VO, 85 M/M LO
	353426X1	9	Nut Unf	20C DIESEL
21	353701X1	3	Screw Unc	80 M/M PET
21	353701X1	4	Screw Unc	85 M/M PET , 85 M/M VO, 85 M/M LO, 20C DIESEL
22	195251M1	1	Plug	

---

(\*)

Up to Serial or Engine Number 200,000

(+)

From Serial or Engine Number 200,001

---