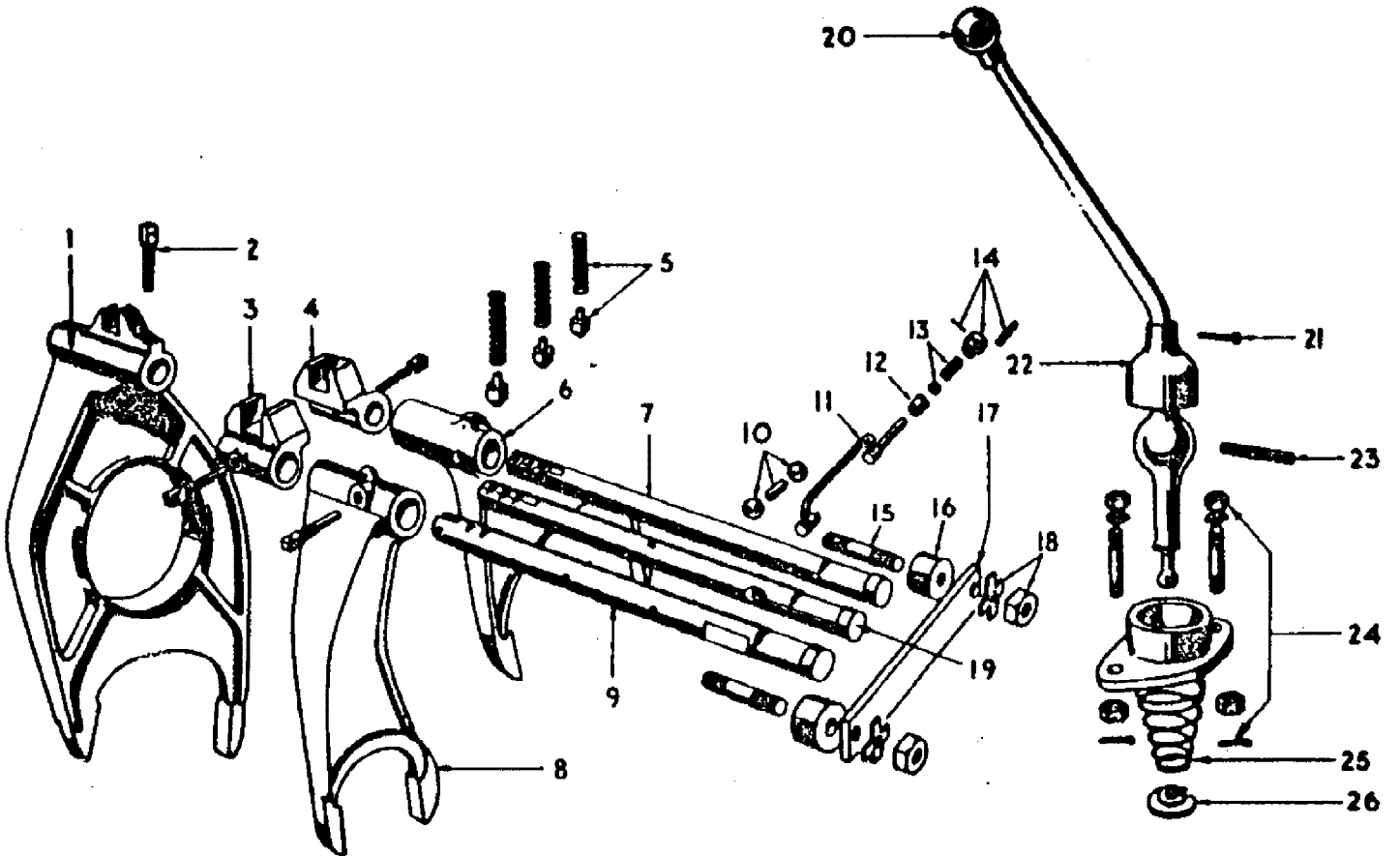


"28" TRACTOR PARTS LIST

FIG. 17



AGCO Corporation  
Parts List Report

Massey Ferguson (Europe)

TE 20 TRACTOR

Page 46 - SELECTOR MECHANISM AND RELATED PARTS - 80 M/M PET., 85 M/M PET., 85 M/M V.O., 85 M/M L.O., 20C DIESEL

Item	Part Number	Qty	Part Description	Comments
				80 M/M PET., 85 M/M PET., 85 M/M V.O., 85 M/M L.O., 20C DIESEL
1	8542	1	Fork	
2	1994	5	Pin	
3	1873	1	Selector	
4	4149	1	Selector	
5	1299	3	Spring	
	1361	3	Plunger	
6	7085	1	Fork	
7	4177	1	Guide	
8	8543	1	Fork	
9	4176	1	Rail	
	102525	1	Guide	
10	1297	2	Ball	Diameter: 5"
	1474	1	Plunger	
11	102503	1	Latch	20C DIESEL
12	102507	1	Bush	20C DIESEL
13	102508	1	Seal	20C DIESEL
	103068	1	Spring	20C DIESEL
14	102502	1	Poppet	20C DIESEL
	354900X1	1	Pin	20C DIESEL
	102514	1	Screw	20C DIESEL
15	354010X1	2	Bolt	80 M/M PET.
	354412X1	2	Bolt Unf	80 M/M PET.
	354412X1	2	Bolt Unf	* 85 M/M PET., 85 M/M V.O., 85 L.O.
	102513	2	Stud	20C DIESEL
15	102513	2	Stud	+ 85 M/M PET., 85 M/M V.O., 85 L.O.
16	1456	2	Spacer	
17	1457	1	Plate	
18	353925X1	2	Nut Unf	80 M/M PET.
18	353925X1	2	Nut Unf	* 85 M/M PET., 85 M/M V.O., 85 L.O.
	354049X1	2	Pin	80 M/M PET.
	354049X1	2	Pin	* 85 M/M PET., 85 M/M V.O., 85 L.O.
	2563	2	Washer	20C DIESEL

---

	2563	2	Washer	+
				85 M/M PET., 85 M/M V.O., 85 L.O.
	353426X1	2	Nut Unf	20C DIESEL
	353426X1	2	Nut Unf	+
				85 M/M PET., 85 M/M V.O., 85 L.O.
19	4174	1	Guide	
20	7084	1	Lever	
21	16868X	1	Rivet	
22	1270	1	Cap	
23	1096	1	Clevis Pin	
24	7081	1	Cup	
	1507	2	Stud	
	353426X1	2	Nut Unf	
	353432X1	2	Lock Washer	
	1514	2	Nut	
	354048X1	2	Pin	
	1302	1	Seal	
	1417	2	Plug	
	1943	1	Gasket	
25	1260	1	Spring	
26	180583M1	1	Seat	
	4178	1	Plate	

\*

Up to Serial or Engine Number 200,000

+

From Serial or Engine Number 200,001

---