

"20" TRACTOR PARTS LIST

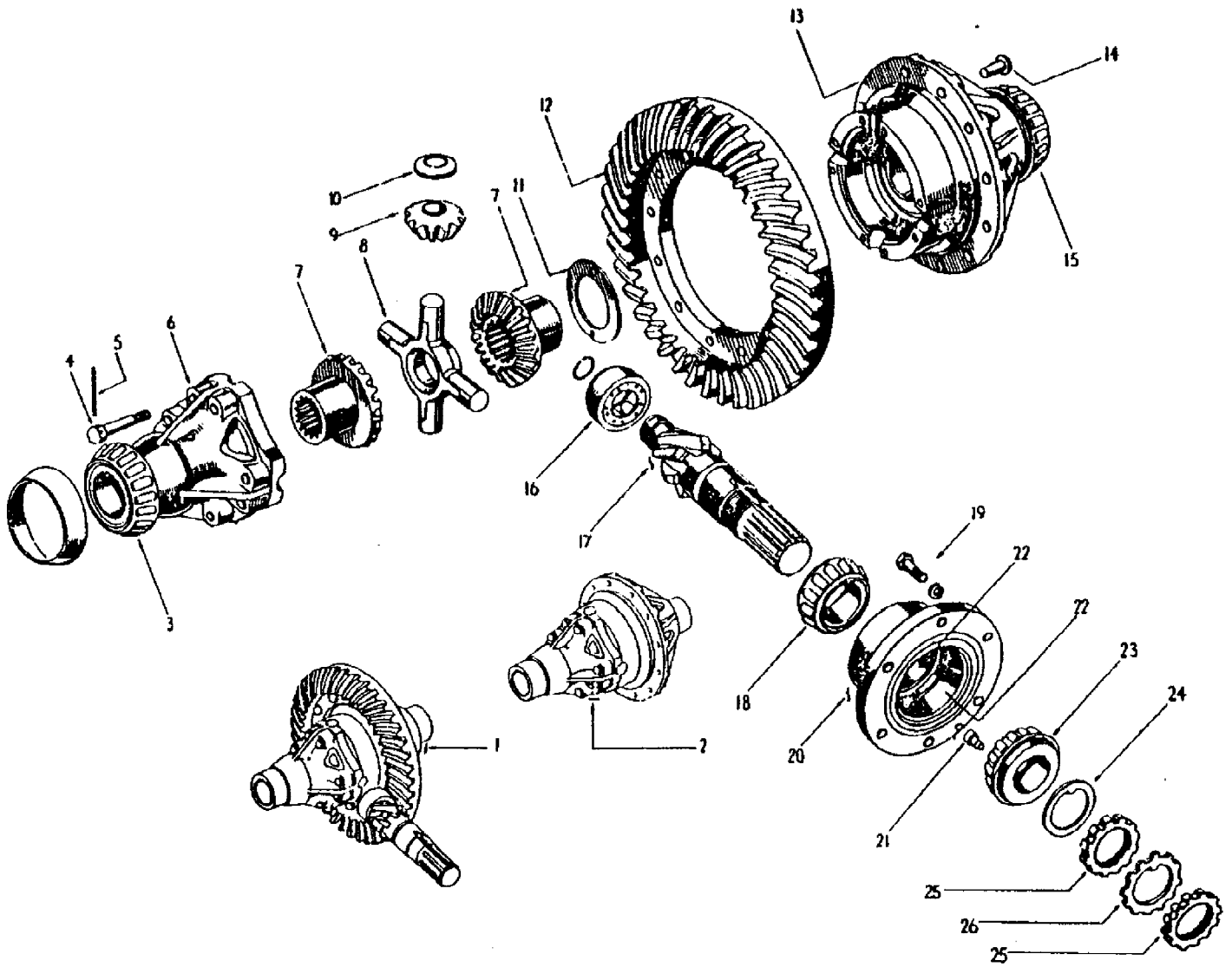


FIG. 15.

AGCO Corporation
Parts List Report

Massey Ferguson (Europe)

TE 20 TRACTOR

Page 38 - DIFFERENTIAL ASSEMBLY - 80 M/M PET., 85 M/M PET., 85 M/M V.O., 85 M/M L.O., 20C DIESEL

Item	Part Number	Qty	Part Description	Comments
				80 M/M PET., 85 M/M PET., 85 M/M V.O., 85 M/M L.O., 20C DIESEL
1	8576	1	Case Assy	80 M/M PET.
	8576	1	Case Assy	85 M/M PET., 85 M/M V.O., 85 M/M L.O., 20C DIESEL.
	104685	1	Case Assy	(B) INCLUDES ITEMS 6,12,13,14,16 AND 17. 85 M/M PET., 85 M/M V.O., 85 M/M L.O., 20C DIESEL.
2	7114	1	Case	80 M/M PET.
	7114	1	Case Assy	(A) 85 M/M PET., 85 M/M V.O., 85 M/M L.O., 20C DIESEL.
	104686	1	Case	(B) INCLUDES ITEMS 6,13 AND 14. 85 M/M PET., 85 M/M V.O., 85 M/M L.O., 20C DIESEL.
3	1850087M91	1	Bearing Assy	
4	1078	8	Screw	80 M/M PET.
	1078	8	Screw	(A) 85 M/M PET., 85 M/M V.O., 85 M/M L.O., 20C DIESEL.
	181246M1	8	Screw	(B) 85 M/M PET., 85 M/M V.O., 85 M/M L.O., 20C DIESEL.
5			Wire	NOT SERVICED SEPARATELY.
6			Case	Right Hand NOT SERVICED SEPARATELY ORDER 7114 OR 104686.
7	7299	2	Gear	80 M/M PET. USE WITH 4447 ONLY.
	7299	2	Gear	(A) 85 M/M PET., 85 M/M V.O., 85 M/M L.O., 20C DIESEL. USE WITH 4447 ONLY.
	201297	2	Gear	(B) 85 M/M PET., 85 M/M V.O., 85 M/M L.O., 20C DIESEL.
8	4462	1	Crosspiece	80 M/M PET.
	4462	1	Crosspiece	(A) 85 M/M PET., 85 M/M V.O., 85 M/M L.O., 20C DIESEL.
	104676	1	Crosspiece	(B) 85 M/M PET., 85 M/M V.O., 85 M/M L.O., 20C DIESEL.
9	4447	4	Pinion	80 M/M PET. USE WITH 7299 ONLY.
	4447	4	Pinion	(A)

				85 M/M PET., 85 M/M V.O., 85 M/M L.O., 20C DIESEL. USE WITH 7299 ONLY.
	104675	4	Pinion	(B)
10	1081	4	Washer	85 M/M PET., 85 M/M V.O., 85 M/M L.O., 20C DIESEL. 80 M/M PET.
	1081	4	Washer	(A)
	104679	4	Washer	85 M/M PET., 85 M/M V.O., 85 M/M L.O., 20C DIESEL. (B)
11	1079	2	Washer	85 M/M PET., 85 M/M V.O., 85 M/M L.O., 20C DIESEL. 80 M/M PET.
	1079	2	Washer	(A)
	181247M1	2	Washer	85 M/M PET., 85 M/M V.O., 85 M/M L.O., 20C DIESEL. (B)
12			Crownwheel	85 M/M PET., 85 M/M V.O., 85 M/M L.O., 20C DIESEL. NOT SERVICED SEPARATELY ORDER 7113 OR 104687.
13			Case	Left Hand NOT SERVICED SEPARATELY ORDER 7114 OR 104686.
14	2191	12	Bolt	80 M/M PET.
	2191	12	Bolt	(A)
	50FNCB	12	Nut	85 M/M PET., 85 M/M V.O., 85 M/M L.O., 20C DIESEL. 80 M/M PET.
	50FNCB	12	Nut	(A)
	825776M1	12	Screw Special	85 M/M PET., 85 M/M V.O., 85 M/M L.O., 20C DIESEL. (B)
	825775M1	12	Nut	85 M/M PET., 85 M/M V.O., 85 M/M L.O., 20C DIESEL. (B)
15	1850087M91	1	Bearing	85 M/M PET., 85 M/M V.O., 85 M/M L.O., 20C DIESEL.
16	1086	1	Ring	80 M/M PET.
	1086	1	Ring	(A)
	4034	1	Bearing	85 M/M PET., 85 M/M V.O., 85 M/M L.O., 20C DIESEL. 80 M/M PET.
	4034	1	Bearing	(A)
	104681	1	Bearing	85 M/M PET., 85 M/M V.O., 85 M/M L.O., 20C DIESEL. (B)
17			Pinion	85 M/M PET., 85 M/M V.O., 85 M/M L.O., 20C DIESEL. NOT SERVICED SEPARATELY ORDER 7113 OR 104687.
18			Cone	NOT SERVICED SEPARATELY ORDER 4031 BEARING ASSEMBLY
19	56CBH125B	6	Bolt	
	353447X1	6	Washer	
20	2165	1	Sleeve	80 M/M PET. INCLUDES 4031.

	2165	1	Sleeve	(A) 85 M/M PET., 85 M/M V.O., 85 M/M L.O., 20C DIESEL. INCLUDES 4031.
	103640	1	Bearing Carrier	(B) INCLUDES 4031. 85 M/M PET., 85 M/M V.O., 85 M/M L.O., 20C DIESEL.
	4031	2	Bearing	
21	181253M1	1	Pin	
22			Cup	NOT SERVICED SEPARATELY ORDER 4031 BEARING ASSEMBLY
23			Cone	NOT SERVICED SEPARATELY ORDER 4031 BEARING ASSEMBLY
24	1088	1	Washer	80 M/M PET.
	1088	1	Washer	(A) 85 M/M PET., 85 M/M V.O., 85 M/M L.O., 20C DIESEL.
	104510	1	Thruster	(B)
25	1087	2	Nut	
26	1229	1	Washer	
				NOT ILLUSTRATED
	7113	1	Crownwheel	80 M/M PET. INCLUDES ITEMS 12 AND 17.
	7113	1	Crownwheel	(A) 85 M/M PET., 85 M/M V.O., 85 M/M L.O., 20C DIESEL. INCLUDES ITEMS 12 AND 17.
	104687	1	Kit, Bevel Gear	(B) INCLUDES ITEMS 12 AND 17.
	4511	AR	Shim	Thickness: 0.010"
	4138	AR	Shim	Thickness: 0.003"
	4512	AR	Shim	Thickness: 0.005"
				(A) Up to Serial or Engine Number 325,000
				(B) From Serial or Engine Number 325,001

AGCO Corporation
Manufacturer Notes Report

Massey Ferguson (Europe)

TE 20 TRACTOR

Page 38 DIFFERENTIAL ASSEMBLY - 80 M/M PET., 85 M/M PET., 85 M/M V.O., 85 M/M L.O., 20C
DIESEL

Notes

Item 16 104681 bearing s/s by 825784m1.

Tech drawing in 'Specs' File.Item 16 4034 bearing is 1850363m91. (Live in France)

-BM 20/9/96
