

"20" TRACTOR PARTS LIST

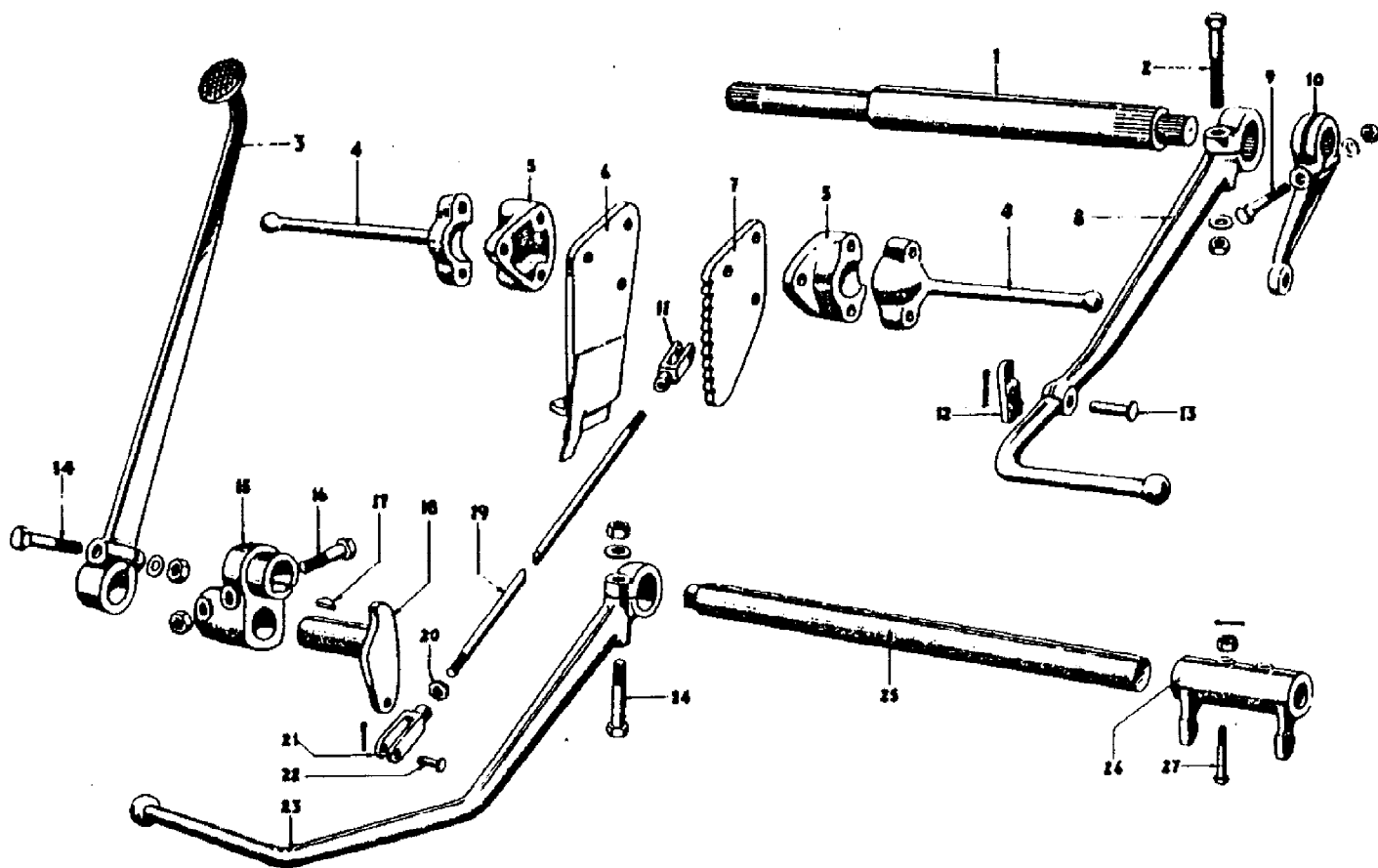


FIG. 12.

AGCO Corporation
Parts List Report

Massey Ferguson (Europe)

TE 20 TRACTOR

Page 30 - BRAKE RODS, PEDALS AND RELATED PARTS - 80 M/M PET., 85 M/M PET., 85 M/M V.O., 85 M/M L.O., 20C DIESEL

Item	Part Number	Qty	Part Description	Comments
				80 M/M PET., 85 M/M PET., 85 M/M V.O., 85 M/M L.O., 20C DIESEL
1	4305	1	Shaft	
	1826	1	Washer	Left Hand USE WITH ELECTRON TRANS. HOUSING.
	1825	1	Washer	Right Hand USE WITH ELECTRON TRANS. HOUSING.
2	353710X1	1	Bolt Unc	
	355645X1	1	Nut Unc	
	353757X1	1	Washer	
3	4352	1	Pedal	Left Hand 80 M/M PET., 85 M/M PET., 85 M/M V.O., 85 M/M L.O.
	4351	1	Treadle	Right Hand 80 M/M PET., 85 M/M PET., 85 M/M V.O., 85 M/M L.O.
	201352	1	Treadle	Left Hand 20C DIESEL
	301351	1	Pedal	Right Hand
4	180867M1	2	Cap	
5	180869M1	2	Spacer	
	180868M1	AR	Shim	
6	4266	1	Stop	80 M/M PET., 85 M/M PET., 85 M/M V.O., 85 M/M L.O.
	4475	1	Plate	20C DIESEL
7	4145	1	Sector	80 M/M PET., 85 M/M PET., 85 M/M V.O., 85 M/M L.O.
	4334	1	Sector	20C DIESEL
8	7097	1	Pedal	
9	353686X1	2	Bolt Unc	
	353565X1	2	Bolt Unf	
	353755X1	2	Washer	
10	4269	1	Lever	Left Hand
	4270	1	Arm	Right Hand
11	1317	2	Fork	
12	1312	1	Pawl	Up to Serial or Engine Number 441,823
	181149M1	1	Actuator	From Serial or Engine Number 441,824
	180809M1	1	Spring	From Serial or Engine Number 441,824
	181150M1	1	Connecting Link	From Serial or Engine Number 441,824

13	31PS106B	1	Pin	Up to Serial or Engine Number 441,823
	354046X1	1	Pin	Up to Serial or Engine Number 441,823
	195242M1	1	Pin	From Serial or Engine Number 441,824
	354063X1	1	Pin	From Serial or Engine Number 441,824
14	353707X1	2	Screw Unc	Right Hand Left Hand
	355645X1	2	Nut Unc	
	353757X1	2	Washer	
15	1821	1	Bearing Carrier	Left Hand
	1822	1	Bearing Carrier	Right Hand
	1309	2	Bush	
	200191M1	2	Nipple	
16	353708X1	2	Bolt Unc	
	355645X1	2	Nut Unc	
	353757X1	2	Washer	
17	1343	2	Key	Up to Serial or Engine Number 200,000
	KW0636	2	Key	From Serial or Engine Number 200,001
18	1515	1	Shaft	Left Hand
	1516	1	Shaft	Right Hand
19	1518	2	Rod	
	2281	2	Rod	
20	375109X1	2	Nut Unc	
21	825538M1	2	End	
22	825715M1	4	Pin	
	354048X1	4	Pin	
23	7154	1	Pedal	
	7274	1	Pedal	
24	353710X1	1	Bolt Unc	
	103104	1	Bolt	
	355645X1	1	Nut Unc	
	353432X1	1	Lock Washer	
25	1303	1	Shaft	
26	4127	1	Fork	
27	25FSR175BTD	2	Screw	
	353922X1	2	Nut Unf	
	354040X1	2	Pin	
