

"28" TRACTOR PARTS LIST

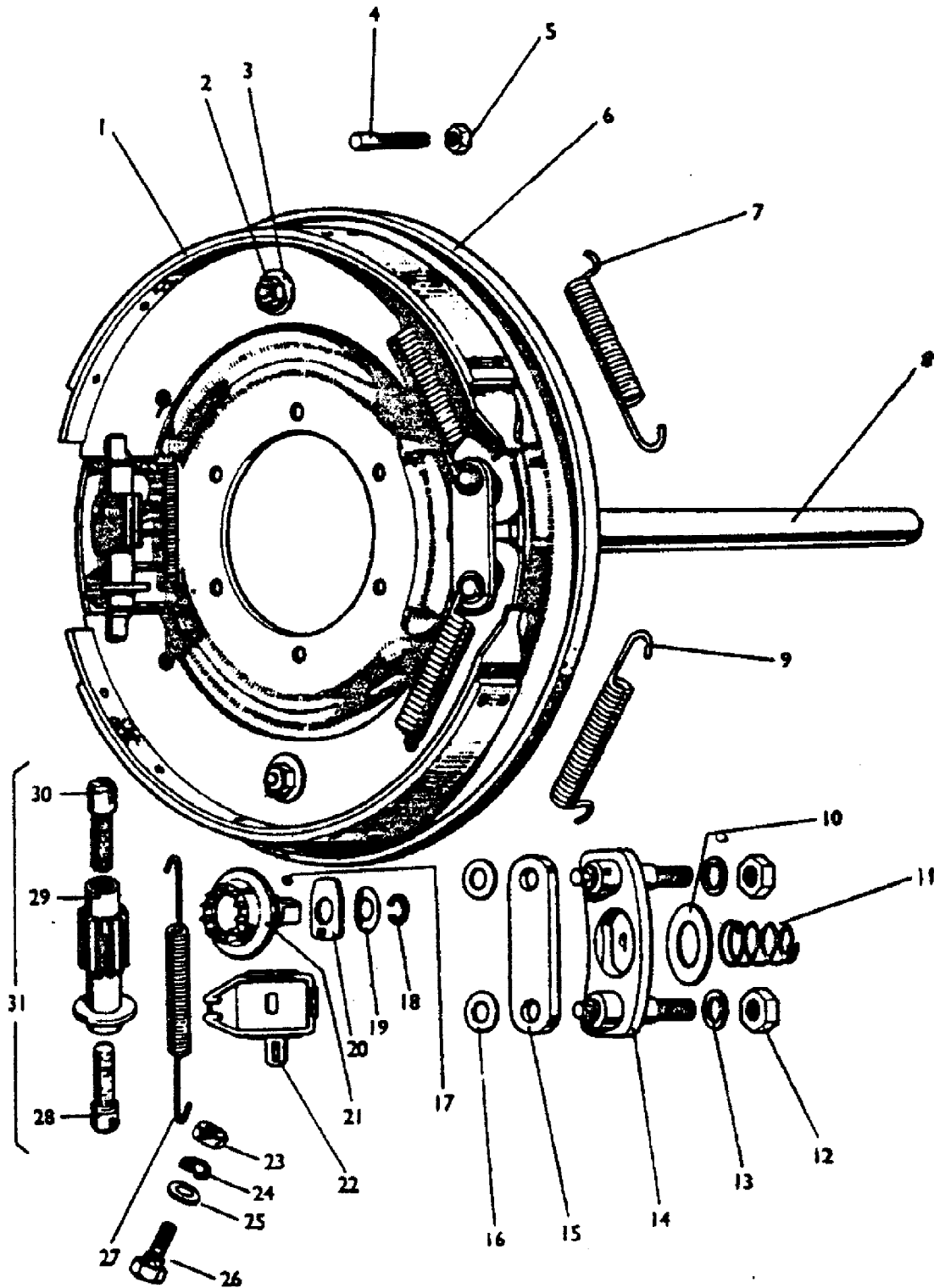


FIG. 11A

CTP 253

AGCO Corporation  
Parts List Report

Massey Ferguson (Europe)

TE 20 TRACTOR

Page 28 - BRAKE ASSEMBLY - FLOATING CAN DOUBLE ACTION - 85 M/M PET., 85 M/M V.O., 85 M/M L.O., 20C DIESEL.

Item	Part Number	Qty	Part Description	Comments
				85 M/M PET., 85 M/M V.O., 85 M/M L.O., 20C DIESEL. 80 M/M PET., 85 M/M PET., 85 M/M V.O., 85 M/M L.O. 20C DIESEL.
	9691	1	Brake	Left Hand INCLUDES ITEMS 1 THROUGH 31.
	9692	1	Brake	Right Hand INCLUDES ITEMS 1 THROUGH 31.
1	825079M91	2	Shoe	ALT. BONDED.
	825764M91	2	Shoe	ALT. BONDED.
	829258M91	2	Shoe	ALT. RIVETTED PAIRS.
	829059M91	2	Shoe	ALT. RIVETTED PAIRS.
2	825573M1	4	Nut	
3	925557M1	4	Washer	
4	1528	8	Post	
5	1529	8	Nut	
6	8754	1	Tray	Left Hand
	8755	1	Tray	Right Hand
7	825063M1	1	Spring	Right Hand
	825064M1	1	Spring	Left Hand
8	7343	1	Cam	Left Hand
	7344	1	Cam	Right Hand
9	825064M1	1	Spring	Right Hand
	825063M1	1	Spring	Left Hand
10	825040M1	2	Plate	
11	825041M1	2	Spring	
12	1523	4	Nut	
13	2678	4	Washer	
14	4480	2	Plate	
15	825039M1	2	Plate	
16	2674	4	Washer	
17	1538	2	Ball	Diameter: 1/4"
18	1541	2	Ring	
19	1540	2	Washer	
20	2555	2	Plate	
21	1537	2	Crownwheel	
22	825590M1	1	Plate	Left Hand
	825591M1	1	Plate	Right Hand
23	827156M1	2	Nut	

---

24	827157M1	2	Washer	
25	825551M1	2	Washer	
26	825550M1	2	Bolt	
27	4188	2	Spring	
28	825047M1	2	Screw	Right Hand
29	1520	2	Pinion	
30	825046M1	2	Screw	Left Hand
31	2578	2	Adjuster	INCLUDES ITEMS 28,29 AND 30. NOT ILLUSTRATED
	1851062M91	AR	Kit, Lining	FOR 829059M91 AND 865764M91. INCLUDES 2 LININGS AND 24 RIVETS ONLY.
	1851063M91	AR	Kit, Lining	FOR 829058M91 AND 865079M91. INCLUDES 2 LININGS AND 24 RIVETS ONLY.

---