

"20" TRACTOR PARTS LIST

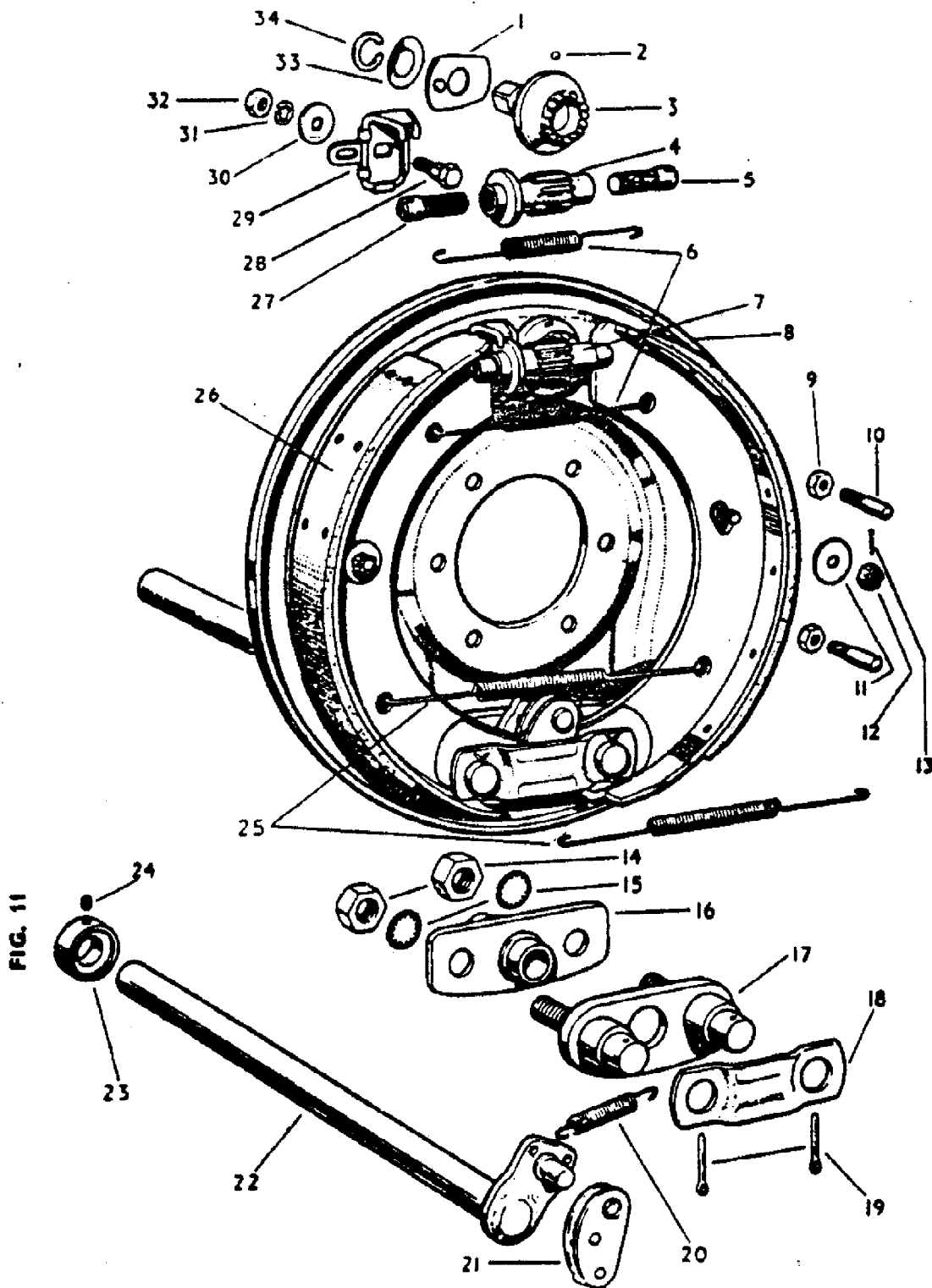


FIG. 11

AGCO Corporation
Parts List Report

Massey Ferguson (Europe)

TE 20 TRACTOR

Page 26 - BRAKE ASSEMBLY - 80 M/M PET., 85 M/M PET., 85 M/M V.O., 85 M/M L.O., 20C DIESEL

Item	Part Number	Qty	Part Description	Comments
				80 M/M PET., 85 M/M PET., 85 M/M V.O., 85 M/M L.O., 20C DIESEL
	9525	1	Kit, Brake	
	9526	1	Kit, Brake	INCL. REF. 1 - 34
1	2555	2	Plate	
2	1538	2	Ball	
3	1537	2	Crownwheel	
4	1520	2	Pinion	
5	1521	2	Screw	
6	4188	2	Spring	
7	1519	2	Adjuster	
8	8578	1	Tray	
	8579	1	Tray	
9	1529	8	Nut	
10	1528	8	Post	
11	825557M1	4	Washer	
12	825573M1	4	Nut	
13	354041X1	4	Pin	NOT REQUIRED WHEN 1999 IS FITTED
14	1523	4	Nut	
15	2678	4	Washer	
16	4187	2	Bearing Carrier	
17	4183	2	Plate	
18	1527	2	Strut	
19	354061X1	4	Pin	
20	4189	2	Spring	
21	1530	2	Block	
22	4186	2	Shaft	
23	1535	2	Collar	
24	1536	2	Screw	
25	1544	2	Spring	
26	7118	2	Jaw	Alternative
	509220	2	Housing	Alternative
27	1522	2	Screw	
28	825550M1	2	Bolt	
29	825590M1	1	Plate	Left Hand
	825591M1	1	Plate	Left Hand
30	825551M1	2	Washer	
31	827157M1	2	Washer	
32	827156M1	2	Nut	

33	1540	2	Washer
34	1541	2	Ring
