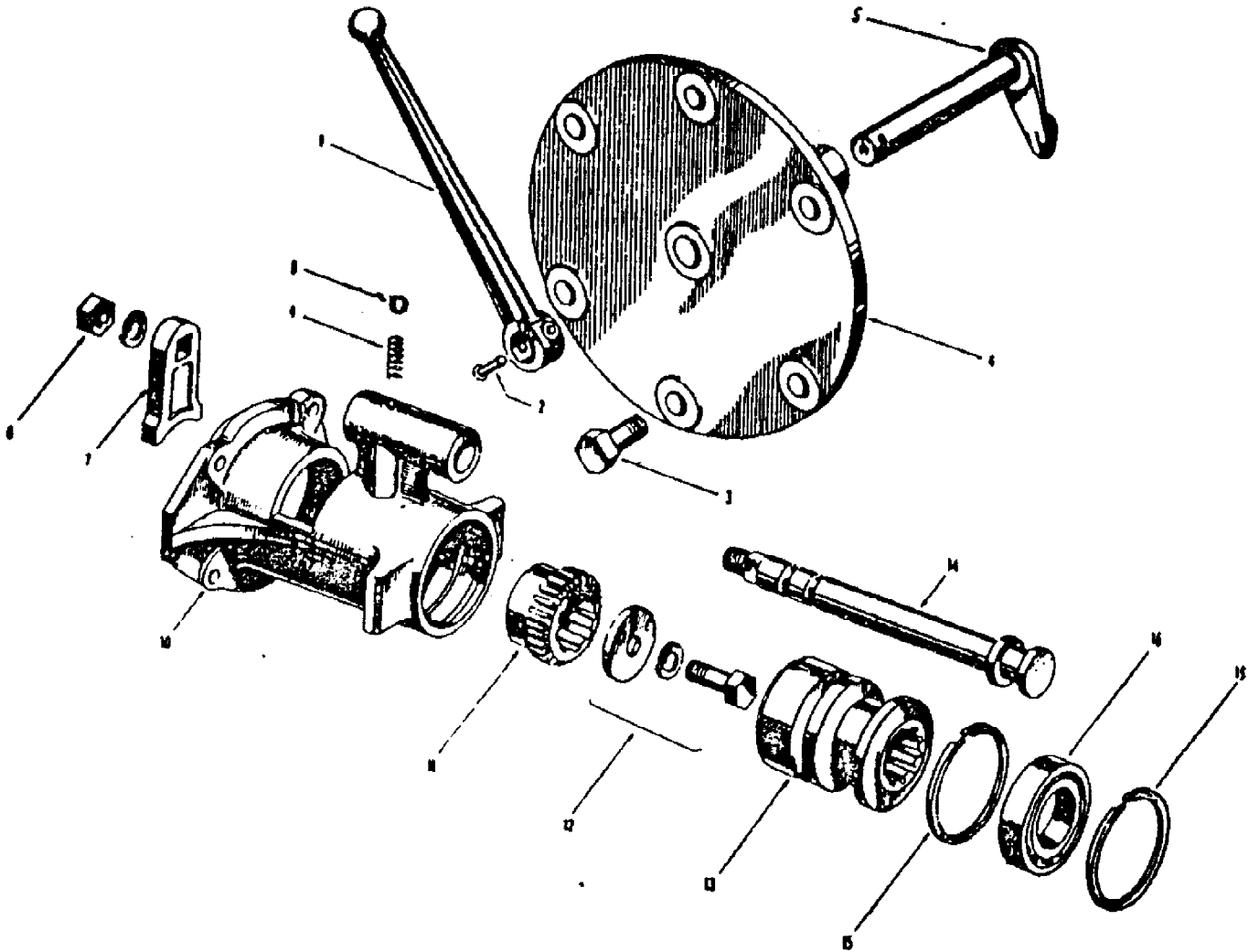


FIG. 8



AGCO Corporation  
Parts List Report

Massey Ferguson (Europe)

TE 20 TRACTOR

Page 18 - HYDRAULIC P.T.O. SHIFTER LEVER FORK AND RELATED PARTS

Item	Part Number	Qty	Part Description	Comments
1	1106	1	Lever	
2	16906X	1	Rivet	
3	353696X1	6	Screw Unc	
4	7063	1	Cover	
5	1104	1	Clevis Pin	
6	353434X1	1	Lock Washer	
	353431X1	1	Nut Unf	
7	1103	1	Fork	
8	1196	1	Ball	
9	1226	1	Spring	
10	7043	1	Support	Up to Serial or Engine Number 285,932
	201452	1	Support	From Serial or Engine Number 285,933
11	1100	1	Sleeve	
12	353538X1	1	Screw Unf	
	353434X1	1	Lock Washer	
	1243	1	Washer	
13	4058	1	Sleeve	
14	1192	1	Clevis Pin	
15	1134	2	Ring	
16	AT1040	1	Bearing Assy	