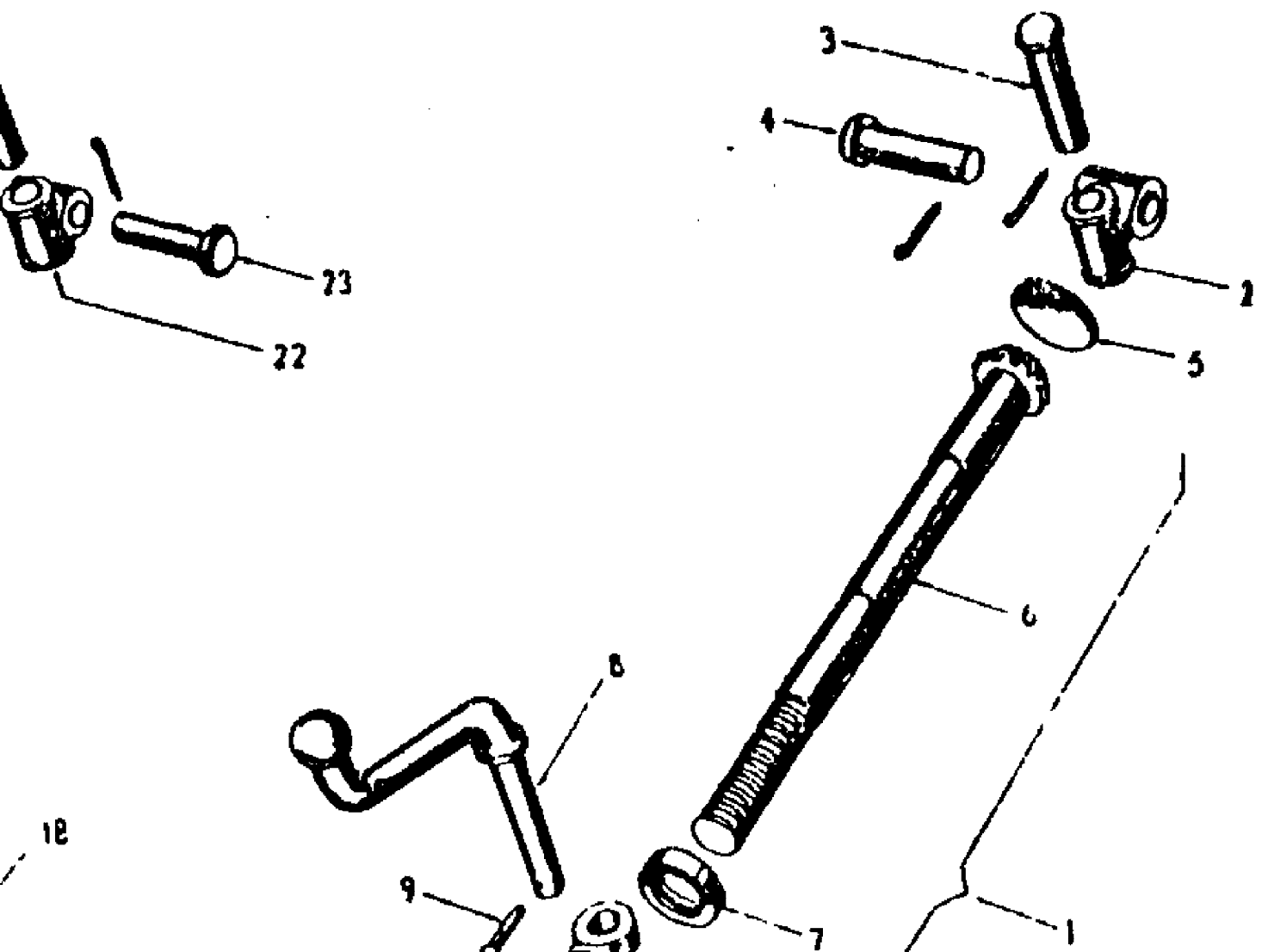


FOR PARTS LIST



AGCO Corporation
Parts List Report

Massey Ferguson (Europe)

TE 20 TRACTOR

Page 14 - LEVELLING BOX ASSEMBLY AND RELATED PARTS - 80 M/M PET., 85 M/M PET., 85 M/M V.O., 85 M/M L.O., 20C DIESEL

Item	Part Number	Qty	Part Description	Comments
				80 M/M PET., 85 M/M PET., 85 M/M V.O., 85 M/M L.O., 20C DIESEL
1	4002	1	Levelling Box	INCLUDES ITEMS 2 THROUGH 13.
2	180853M1	1	Knuckle	
3	180860M1	2	Clevis Pin	
4	354059X1	2	Pin	
5	195644M1	1	Plug	1.3/4"
6	4297	1	Shaft	
7	195457M1	1	Bearing	
8	181349M1	1	Crank	
9	195648M1	1	Rivet	
10	200191M1	2	Nipple	
11	181344M2	1	Box	
12	181345M1	1	Gear	
13	4008	1	Fork	Right Hand
14	1033	2	Bolt	REFER BELOW.
	1164	2	Nut	
	3553426X1	2	Nut	
15	180861M91	2	Chain	
16	180333M1	4	Shackle	
17	195239M1	4	Pin	
	354047X1	4	Pin	
18	1827	1	Plate	Right Hand
19	1828	1	Anchor	Left Hand
20	353701X1	4	Screw Unc	Up to Serial or Engine Number 23,937
		4	Stud	From Serial or Engine Number 23,938
				80 M/M PET.
20	353701X1	4	Screw Unc	85 M/M PET., 85 M/M V.O., 85 M/M L.O., 20C DIESEL.
	353757X1	4	Washer	
	353432X1	4	Lock Washer	
	353426X1	4	Nut Unf	From Serial or Engine Number 23,938
				85 M/M PET., 85 M/M V.O., 85 M/M L.O., 20C DIESEL.
21	8521	1	Rod	Left Hand
22	180853M1	1	Knuckle	
23	180860M1	2	Clevis Pin	
24	354059X1	2	Pin	
				NOT ILLUSTRATED
	180856M91	2	Eye Bolt	FOR SERVICING 1033 ABOVE.

180859M1	2	Bush	FOR SERVICING 1033 ABOVE.
353925X1	2	Nut Unf	FOR SERVICING 1033 ABOVE.
354057X1	2	Pin	FOR SERVICING 1033 ABOVE.
