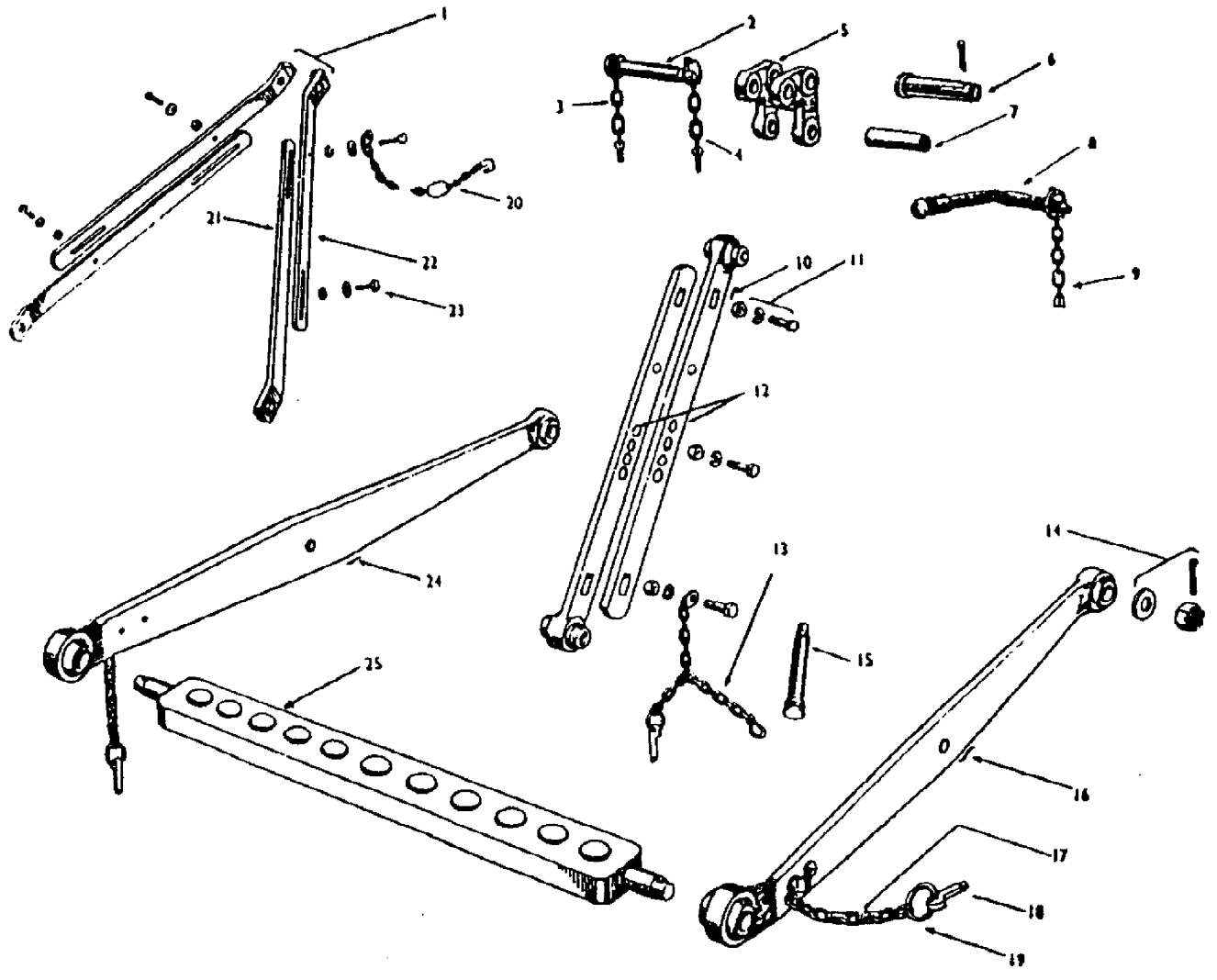


"20" TRACTOR PARTS LIST

FIG. 5



AGCO Corporation
Parts List Report

Massey Ferguson (Europe)

TE 20 TRACTOR

Page 12 - UPPER AND LOWER LINKS AND RELATED PARTS. - 80 M/M PET., 85 M/M PET., 85 M/M V.O., 85 M/M L.O., 20C DIESEL

Item	Part Number	Qty	Part Description	Comments
				80 M/M PET., 85 M/M PET., 85 M/M V.O., 85 M/M L.O., 20C DIESEL
1			Stay	Right Hand NOT SERVICED SEPARATELY ORDER ITEMS 20 THROUGH 23.
			Stay	Left Hand NOT SERVICED SEPARATELY ORDER ITEMS 20 THROUGH 23.
2	195647M1	1	Pin	
3	1935	1	Chain	
4	826413M91	1	Linch Pin	
	195346M1	1	Pin	
	195347M1	1	Ring	
5	2182	1	Rocker	
6	354068X1	1	Pin	
	75PS290B	1	Pin	
7	1240	1	Bush	
8	4114	1	Pin	
9	2013	1	Chain	
	195346M1	1	Pin	
	195347M1	1	Ring	
10	180855M91	1	Link	
11	1184	2	Bolt	
	353562X1	1	Screw Unf	
	1146	3	Washer	
	353426X1	3	Nut Unf	
12	7047	2	Link And Ball	Up to Serial or Engine Number 200,000 USE 180855M91.
				80 M/M PET., 85 M/M PET., 85 M/M V.O., 85 M/M L.O.
	181351M91	1	Link	Right Hand From Serial or Engine Number 200,001 85 M/M PET., 85 M/M V.O., 85 M/M L.O., 20C DIESEL.
				Left Hand From Serial or Engine Number 200,001 85 M/M PET., 85 M/M V.O., 85 M/M L.O., 20C DIESEL.
	181353M91	1	Link	
13	181350M91	1	Chain	INCLUDES ITEMS 15 AND:.
	195346M1	1	Pin	
	195347M1	1	Ring	

14	353927X1	2	Nut Unf	
	826770M1	2	Nut	USE AS REQUIRED.
	826770M1	2	Nut	USE AS REQUIRED.
	354059X1	2	Pin	
	353774X1	2	Washer	
15	135647M1	1	Pin	
16	8501	1	Bar	Right Hand
				INCLUDES ITEM 17 AND:.
	49943X	2	Rivet	
17	195646M91	2	Chain	INCLUDES ITEMS 18 AND 19.
18	195346M1	2	Pin	
19	195347M1	2	Ring	
20	1061	1	Chain	
21	7092	2	Stay	
22	7091	2	Stay	
23	353560X1	4	Screw Unf	
	353757X1	7	Washer	
	353426X1	4	Nut Unf	
24	8502	1	Link	Left Hand
				INCLUDES ITEM 17 AND:.
	49943	2	Rivet	
25	180485M1	1	Bar	
