

"28" TRACTOR PARTS LIST

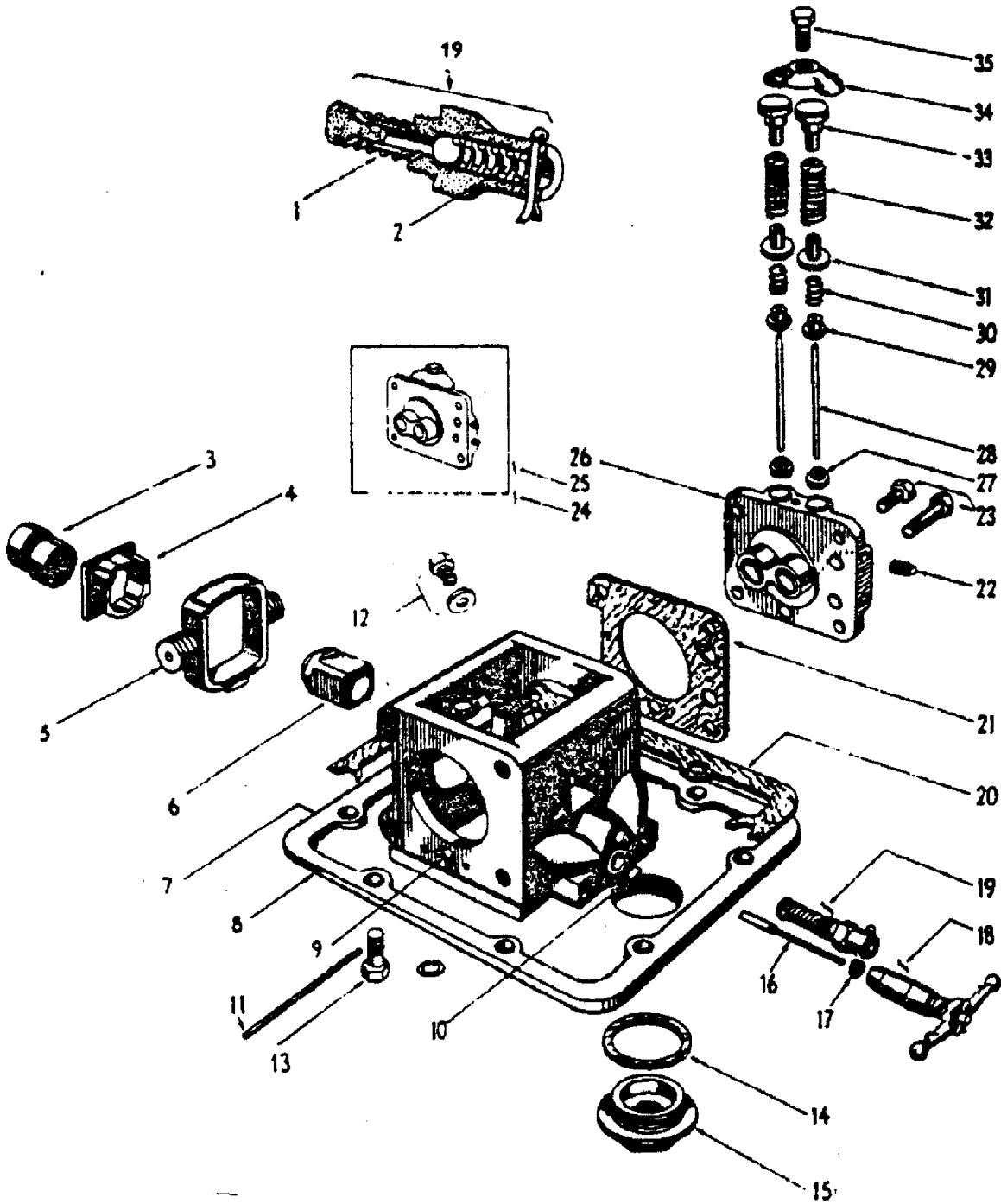


FIG. 4

AGCO Corporation
Parts List Report

Massey Ferguson (Europe)

TE 20 TRACTOR

Page 8 - HYDRAULIC PUMP ASSEMBLY - 80 M/M PET., 85 M/M PET., 85 M/M V.O., 85 M/M L.O., 20C DIESEL

Item	Part Number	Qty	Part Description	Comments
				80 M/M PET., 85 M/M PET., 85 M/M V.O., 85 M/M L.O., 20C DIESEL
	8700	1	Hydraulic Pump	Up to Serial or Engine Number 285,932
	300952	1	Hydraulic Pump	285,933 TO 330,043
				85 M/M PET., 85 M/M V.O., 85 M/M L.O., 20C DIESEL.
	301239	1	Pump	From Serial or Engine Number 330,044
				85 M/M PET., 85 M/M V.O., 85 M/M L.O., 20C DIESEL.
1	1058	1	Spring	
2	1057	1	Spring	Up to Serial or Engine Number 330,043
3	4045	1	Cam	Up to Serial or Engine Number 134,000
	4395	1	Cam	From Serial or Engine Number 134,001
4	1042	2	Cam	
5	4009	2	Piston	
6	1059	1	Bush	
7	105104	1	Base	INCLUDES ITEMS 8,9,10,12,14 AND 15.
8			Base	NOT SERVICED SEPARATELY ORDER 105104.
9	1189	2	Catch	
10	4327	1	Bush	
11	1492	2	Steady	
12	1017	2	Gasket	
	1144	2	Plug	
13	353703X1	9	Bolt Unc	
	1576	9	Washer	
14	1170	1	Roller Frame	
15	1018	1	Plug	
16	2296	1	Rod	USE WITH 2425.
	106042	1	Strip	USE WITH 106041.
17	2305	1	Circlip	
18	1053	1	Valve	Up to Serial or Engine Number 134,000
				80 M/M PET., 85 M/M PET., 85 M/M V.O., 85 M/M L.O.
	2425	1	Valve	134,001 TO 407,101
	106041	1	Valve	From Serial or Engine Number 407,102
				85 M/M PET., 85 M/M V.O., 85 M/M L.O., 20C DIESEL.
	1050	1	Spring	
	826897M1	1	Clip	
	1055	1	Stem	
	1056	1	Bar	
19	2172	1	Valve	Up to Serial or Engine Number 330,043

	2174	1	Pad	Up to Serial or Engine Number 330,043
	2173	1	Retainer	Up to Serial or Engine Number 330,043
	2175	1	Washer	Up to Serial or Engine Number 330,043
	2262	1	Shield	Up to Serial or Engine Number 330,043
	354057X1	1	Pin	Up to Serial or Engine Number 330,043
	105285	1	Retainer	From Serial or Engine Number 330,044 INCLUDES 1058 AND 1168.
	1168	1	Valve	From Serial or Engine Number 330,044
20	4082	1	Gasket	
21	2181	2	Gasket	Up to Serial or Engine Number 285,932
	105017	4	Ring	From Serial or Engine Number 285,933 85 M/M PET., 85 M/M V.O., 85 M/M L.O., 20C DIESEL.
22	1150	4	Plug	
23	1484	4	Bolt	
	353564X1	4	Bolt Unf	
24	2495	1	Valve	Left Hand Up to Serial or Engine Number 285,932 INCLUDES ITEMS 26 THROUGH 35.
	105102	1	Chamber	Left Hand From Serial or Engine Number 285,933 INCLUDES ITEMS 26 THROUGH 35. 85 M/M PET., 85 M/M V.O., 85 M/M L.O., 20C DIESEL.
25	2494	1	Cylinder	Right Hand Up to Serial or Engine Number 285,932 INCLUDES ITEMS 26 THROUGH 35.
	105103	1	Chamber	Right Hand From Serial or Engine Number 285,933 INCLUDES ITEMS 26 THROUGH 35. 85 M/M PET., 85 M/M V.O., 85 M/M L.O., 20C DIESEL.
26			Chamber	Right Hand NOT SERVICED SEPARATELY ORDER 2494 OR 105103.
			Chamber	Left Hand NOT SERVICED SEPARATELY ORDER 2495 OR 105102.
27	1046	4	Socket	
28			Guide	NOT SERVICED SEPARATELY ORDER 2496.
29			Valve	NOT SERVICED SEPARATELY ORDER 2496.
30	1102	4	Spring	
31			Valve	NOT SERVICED SEPARATELY ORDER 2496.
32	1101	4	Spring	
33	2482	4	Plug	
34	1040	2	Bridle	
35	353701X1	2	Screw Unc	
	2496	4	Valve	NOT ILLUSTRATED INCLUDES ITEMS 28,29 AND 31.

4414	1	Stabiliser	
353502X1	2	Screw Unf	
353441X1	2	Lock Washer	
2300	1	Fork	USE WITH 2425.
106043	1	Fork	USE WITH 106041.
2377	1	Screw	USE WITH 106041.
353514X1	1	Screw Unf	USE WITH 2425.
106045	1	Thruster	
2273	4	Cap	
