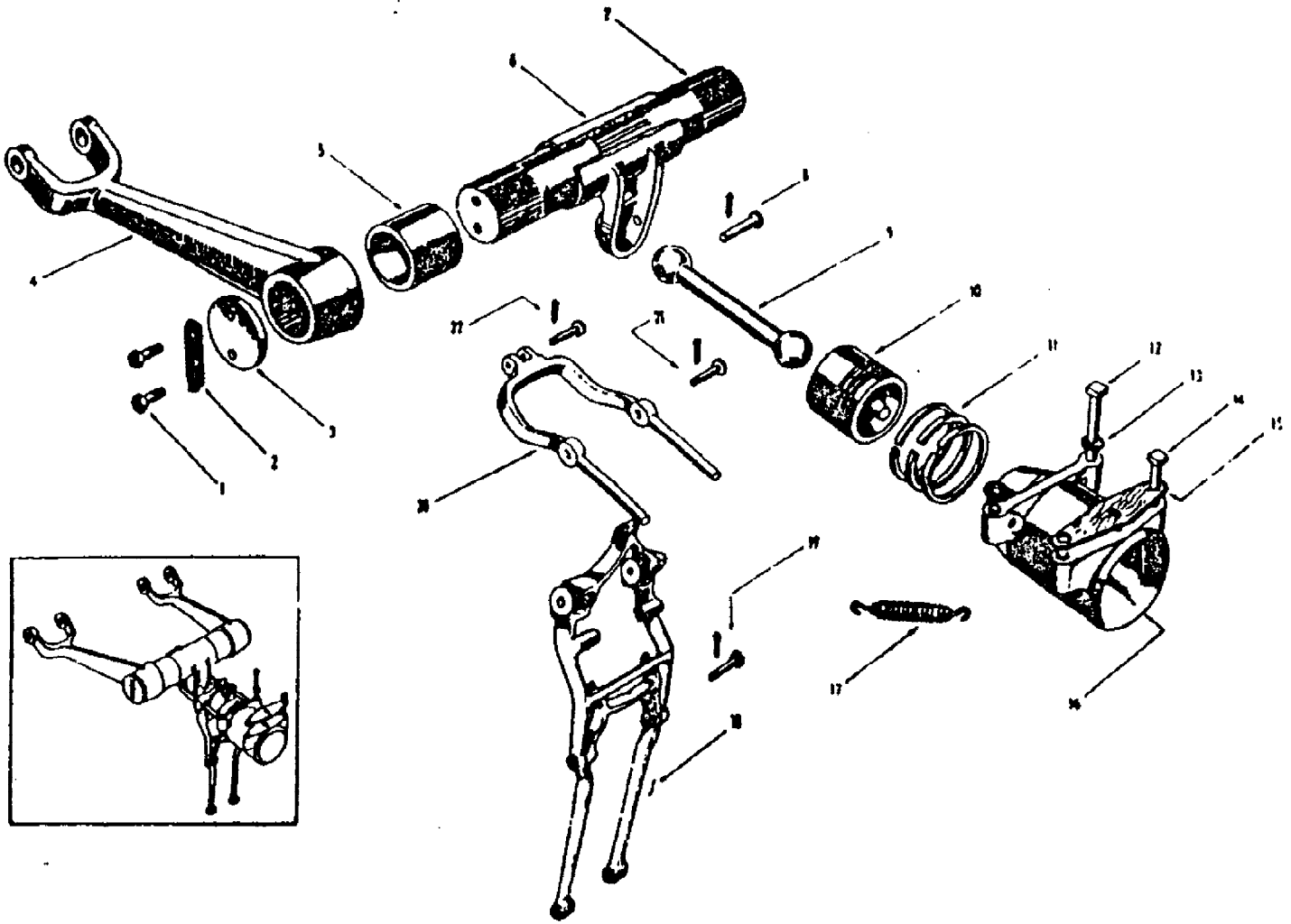


"20" TRACTOR PARTS LIST

FIG. 3



AGCO Corporation
Parts List Report

Massey Ferguson (Europe)

TE 20 TRACTOR

Page 6 - HYDRAULIC LIFT SHAFTS AND RELATED PARTS - 80 M/M PET., 85 M/M PET., 85 M/M V.O.,
85 M/M L.O. 20C DIESEL.

Item	Part Number	Qty	Part Description	Comments
				80 M/M PET., 85 M/M PET., 85 M/M V.O., 85 M/M L.O. 20C DIESEL.
1	354391X1	4	Screw Unf	
2	180916M1	2	Clip	
3	180917M1	2	Plate	
4	7007	2	Arm	Up to Serial or Engine Number 73,564
	7249	2	Arm	From Serial or Engine Number 73,565
5	1001	2	Bush	
6	7246	1	Arm	
7	7008	1	Shaft	
8	31PS212B	1	Pin	
	354046X1	1	Pin	
9	180903M1	1	Rod	
10	1004	1	Piston	
11	180898M1	3	Ring	
12	44FBS512B	2	Bolt	
	1148	2	Nut	
13	1066	2	Gasket	Up to Serial or Engine Number 330,043
14	44FBS332B	2	Bolt	Up to Serial or Engine Number 268,152
	1148	2	Nut	Up to Serial or Engine Number 268,152
	105284	2	Bolt	From Serial or Engine Number 268,153
	104260	2	Nut	From Serial or Engine Number 268,153
15	104275	1	Gasket	Up to Serial or Engine Number 330,043
	105017	1	Ring	From Serial or Engine Number 330,044
16	7248		Cylinder	Up to Serial or Engine Number 330,043 USE 201183, 105284 AND 104260.
	201183	1	Cylinder	From Serial or Engine Number 330,044
17	1013	1	Spring	
18	7329	1	Fork	Up to Serial or Engine Number 325,000
	7370	1	Fork	From Serial or Engine Number 325,001
19	2198	2	Clevis Pin	
	25PS81B	2	Pin	
	354039X1	2	Cotter	
20	4004	1	Fork	
21	1977	2	Clevis Pin	
	354048X1	2	Pin	From Serial or Engine Number 25,001
	354057X1	2	Pin	Up to Serial or Engine Number 25,000
22	38PS131B	1	Pin	

354047X1

1

Pin
