

"20" TRACTOR PARTS LIST

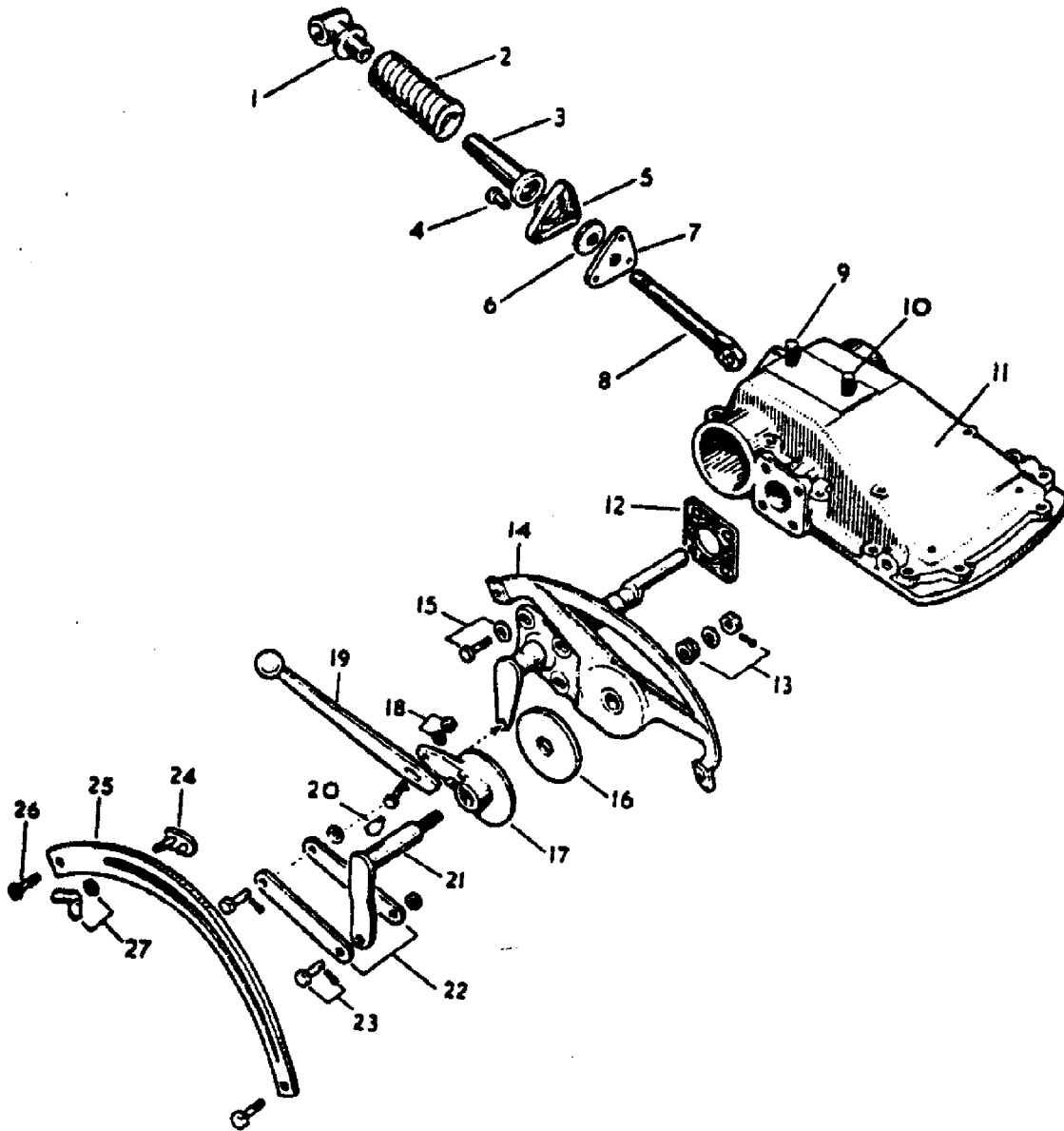


FIG. 2

AGCO Corporation
Parts List Report

Massey Ferguson (Europe)

TE 20 TRACTOR

Page 2 - HYDRAULIC LIFT COVER - 80 M/M PET.

Item	Part Number	Qty	Part Description	Comments
				80 M/M PET.
				85 M/M PET.
				85 M/M V.O.
				85 M/M L.O.
				20C DIESEL
	400269	1	Lift	
1	4258	1	Yoke	MATCHED WITH 4257 - SERVICED ONLY IN PAIRS.
2	1064	1	Spring	
3	1005	1	Spring	
4	1477	3	Bolt	
5	1099	1	Support	
6	1020	1	Washer	
7	1002	1	Cover	
8	4257	1	Plunger	MATCHED WITH 4258 - SERVICED ONLY IN PAIRS.
9	826974M1	1	Stud	
10	1152	2	Stud	80 M/M PET., 85 M/M PET., 85 M/M V.O., 85 M/M L.O.
10	1152	1	Stud	20C DIESEL.
11	8508	1	Cover	1 TO 200,000
				SERVICE INFORMATION 41 REFERS.
	9636	1	Cover	200,001 TO 268,152
				SERVICE INFORMATION 41 REFERS.
	9733	1	Cover	85 M/M PET.
				85 M/M V.O.
				85 M/M L.O.
				20C DIESEL
	825031M1	2	Plug	200,001 TO 330,043
				85 M/M PET.
				85 M/M V.O.
				85 M/M L.O.
				20C DIESEL
	106038	1	Cover	From Serial or Engine Number 330,044
				85 M/M PET.
				85 M/M V.O.
				85 M/M L.O.
				20C DIESEL
	301059	1	Cover	From Serial or Engine Number 330,044
				85 M/M PET.
				85 M/M V.O.
				85 M/M L.O.

			20C DIESEL
110687	1	Valve	From Serial or Engine Number 330,044 85 M/M PET. 85 M/M V.O. 85 M/M L.O.
BL0018	1	Ball	20C DIESEL From Serial or Engine Number 330,044 85 M/M PET. 85 M/M V.O. 85 M/M L.O.
105009	1	Seat	20C DIESEL From Serial or Engine Number 330,044 85 M/M PET. 85 M/M V.O. 85 M/M L.O.
105010	1	Plug	20C DIESEL Left Hand From Serial or Engine Number 330,044 85 M/M PET. 85 M/M V.O. 85 M/M L.O.
105011	1	Spring	20C DIESEL From Serial or Engine Number 330,044 85 M/M PET. 85 M/M V.O. 85 M/M L.O.
105012	1	Gasket	20C DIESEL From Serial or Engine Number 330,044 85 M/M PET. 85 M/M V.O. 85 M/M L.O.
1	105013	1	Gasket 20C DIESEL From Serial or Engine Number 330,044 85 M/M PET. 85 M/M V.O. 85 M/M L.O.
105014	AR	Shim	20C DIESEL From Serial or Engine Number 330,044 85 M/M PET. 85 M/M V.O. 85 M/M L.O.
105283	1	Plug	20C DIESEL Right Hand 85 M/M PET. 85 M/M V.O. 85 M/M L.O.

				20C DIESEL
				From Serial or Engine Number 330,044
12	1069	1	Gasket	
	8733	1	Quadrant	INCLUDES ITEMS 13, 14 AND 16 THROUGH 27.
				20C DIESEL
13	1010	1	Spring	
	353757X1	1	Washer	
	353925X1	1	Nut Unf	
	354058X1	1	Pin	
14	8509	1	Quadrant	80 M/M PET.
				85 M/M PET.
				85 M/M V.O.
				85 M/M L.O.
	4201	1	Chain	80 M/M PET.
				85 M/M PET.
				85 M/M V.O.
				85 M/M L.O.
	2463	1	Plate	80 M/M PET.
				85 M/M PET.
				85 M/M V.O.
				85 M/M L.O.
15	354403X1	4	Bolt	
	353772X1	4	Washer	
16	1062	1	Disc	
	4350	1	Lever	INCLUDES ITEMS 17,18 AND 19.
				80 M/M PET.
				85 M/M PET.
				85 M/M V.O.
				85 M/M L.O.
	108542	1	Bearer	INCLUDES ITEMS 17,18 AND 19.
				20C DIESEL
17			Plate	NOT SERVICED SEPARATELY ORDER 108542 OR 4350.
18	353503X1	1	Screw Unf	
	3553665X1	2	Bolt	
	353918X1	1	Nut Unf	
	353441X1	2	Lock Washer	
19			Lever	NOT SERVICED SEPARATELY ORDER 108542 OR 4350.
20	1241	1	Key	
21	2458	1	Clevis Pin	20C DIESEL
22	2461	2	Link	20C DIESEL
23	195240M1	2	Pin	20C DIESEL
	353755X1	2	Washer	20C DIESEL
	354046X1	2	Pin	20C DIESEL
24	2167	1	Thruster	

25	7045	1	Retainer	
26	353674X1	2	Screw Unc	
27	1153	1	Nut	Alternative 1815
	1815	1	Nut	Alternative 1153
	353754X1	1	Washer	
