

Parts List

MASSEY - FERGUSON

721 RIGID TINE CULTIVATOR

This Parts List Cancels Publication FP35

A13/819 129 MI



721 RIGID TINE CULTIVATOR PARTS LIST

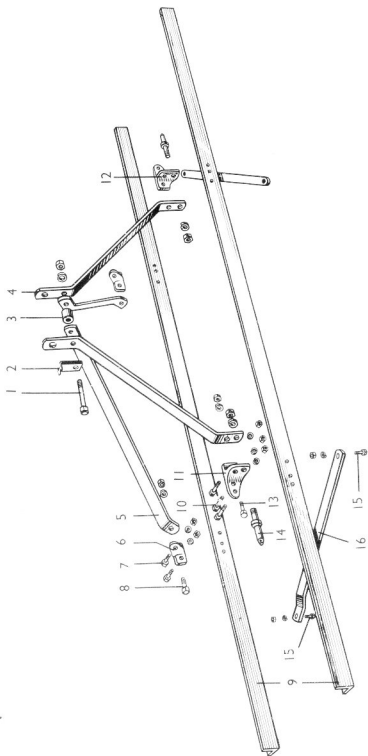


FIG. 1.

721 RIGID TINE CULTIVATOR PARTS LIST

Ref. No.	Part No.	Description	No. Off	Remarks
FIG. 1. FRAME ASSEMBLY				
1	353 627 X1	Bolt-Hex.-Strut Tie	1	
	353 427 X1	Nut-Hex.	1	
	353 433 X1	Washer-Lock	1	
2	660 351 M1	Stopper-Pin	1	
3	660 224 M1	Spacer-Strut	1	
4	814 703 M1	Strut-Front	2	
5	686 201 M1	Strut-Rear	2	
6	686 193 M1	Bracket-Angle-Rear	2	
7	344 521 X1	Bolt-Hex.-Rear Angle Brackets to Bar ...	4	
	344 705 X1	Nut-Hex.	4	
	353 439 X1	Washer-Lock	4	
8	353 613 X1	Bolt-Hex.-Rear Angle Brackets to Rear Strut ...	2	
	353 427 X1	Nut-Hex.	2	
	353 433 X1	Washer-Lock	2	
9	646 701 M1	Bar-Angle	2	
10	344 521 X1	Bolt-Hex.-Front Angle Brackets to Bar ...	6	
	344 705 X1	Nut-Hex.	6	
	353 439 X1	Washer-Lock	6	
11	686 191 M1	Bracket-Angle-Front R.H.	1	
12	686 192 M1	Bracket-Angle-Front L.H.	1	
13	353 562 X1	Bolt-Hex.-Front Angle Brackets to Front Struts	2	
	353 426 X1	Nut-Hex.	2	
	353 432 X1	Washer-Lock	2	
14	195 427 M1	Pin-Link	2	
	353 427 X1	Nut-Hex.	2	
	353 433 X1	Washer-Lock	2	
15	353 561 X1	Bolt-Hex.-Brace to Angle Bar	4	
	353 426 X1	Nut-Hex.	4	
	353 432 X1	Washer-Lock	4	
16	686 194 M1	Brace-Angle Bar	2	

721 RIGID TINE CULTIVATOR PARTS LIST

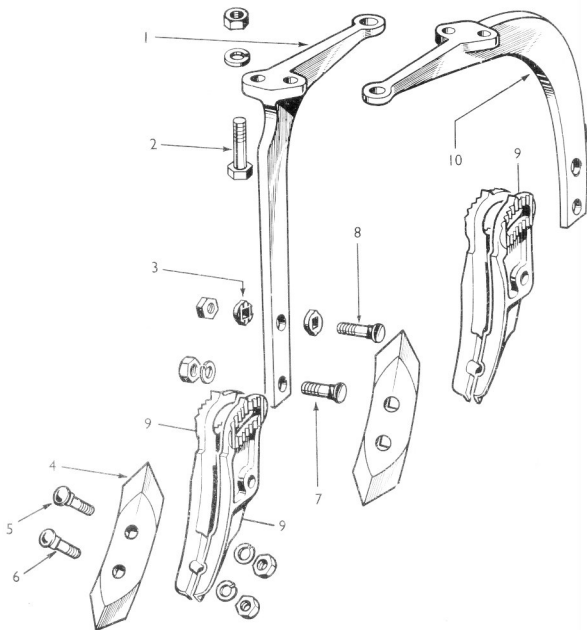
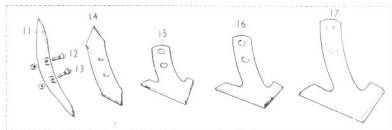


FIG. 2.



721 RIGID TINE CULTIVATOR PARTS LIST

Ref. No.	Part No.	Description	No. Off	Remarks
FIG. 2. TINE ASSEMBLY				
1	862 203 M1	Tine-Short	4	
2	353 564 X1	Bolt-Hex.-Tine to Angle Bar	24	
	353 426 X1	Nut-Hex.	24	
	353 432 X1	Washer-Lock	24	
3	862 208 M1	Washer-Tine Foot	16	
4	646 740 M1	Shovel-Reversible Point, 2½" wide	8	
5	354 006 X1	Bolt-Cultivator-Shovel to Tine Foot	8	
	686 156 M1	Washer-Special	8	
	353 426 X1	Nut-Hex.	8	
6	354 002 X1	Bolt-Cultivator-Shovel to Tine Foot	8	
	686 156 M1	Washer-Special	8	
	353 426 X1	Nut-Hex.	8	
7	353 835 X1	Bolt-Carriage-Foot to Tine	8	
	353 426 X1	Nut-Hex.	8	
	353 432 X1	Washer-Lock	8	
8	353 835 X1	Bolt-Carriage-Foot to Tine	8	
	353 426 X1	Nut-Hex.	8	
9	862 206 M1	Foot-Tine-R.H.	8	
	862 207 M1	Foot-Tine-L.H.	8	
10	862 204 M1	Tine-Long	4	
11	646 734 M1	Tooth-Grassland	AR	
12	862 213 M1	Bolt-Special-3½" long	AR	Grassland Tooth Only
	353 426 X1	Nut-Hex.	AR	
13	862 214 M1	Bolt-Special-2½" long	AR	Grassland Tooth Only
	353 426 X1	Nut-Hex.	AR	
14	646 733 M1	Shovel-Reversible Point-2" wide	AR	Spares Accessories
15	646 739 M1	Shovel-Cultivator Sweep-6"	AR	
16	646 738 M1	Shovel-Cultivator Sweep-8"	AR	
17	646 737 M1	Shovel-Cultivator Sweep-10"	AR	

721 RIGID TINE CULTIVATOR PARTS LIST

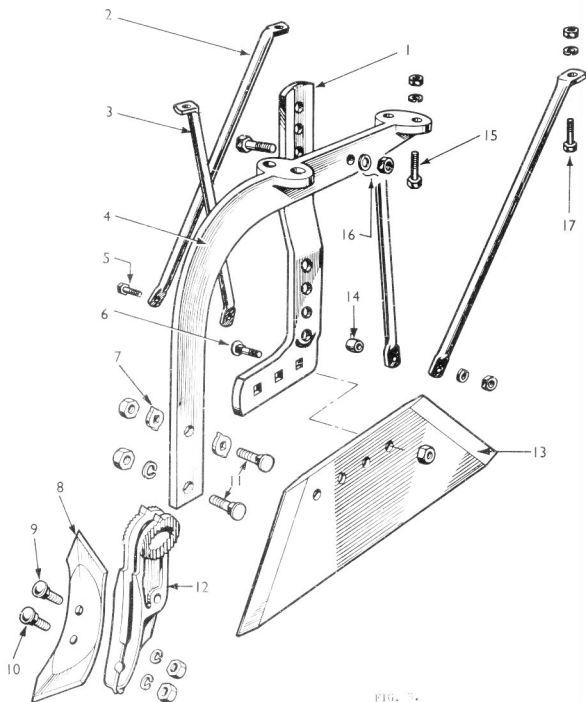


FIG. 7.

72I RIGID TINE CULTIVATOR PARTS LIST

Ref. No.	Part No.	Description	No. Off	Remarks
FIG. 5. FIN STEERING ASSEMBLY AND CENTRE TINE				
1	810 908 M1	Stem-Fin	1	
2	862 210 M1	Stay-Fin	2	
3	862 209 M1	Stay-Fin	2	
4	862 205 M1	Tine-Centre-Long	1	
5	353 571 X1	Bolt-Hex.-Stay to Fin Stem	1	
	353 426 X1	Nut-Hex.	1	
	353 432 X1	Washer-Lock	1	
6	354 354 X1	Bolt-Plough-Fin Stem to Fin Blade	3	
	353 426 X1	Nut-Hex.	3	
7	862 208 M1	Washer-Tine Foot	2	
8	646 740 M1	Shovel-Reversible Point-2½' wide	1	
9	354 006 X1	Bolt-Cultivator-Shovel to Tine Foot	1	
	686 156 M1	Washer-Special	1	
	353 426 X1	Nut-Hex.	1	
10	354 002 X1	Bolt-Cultivator-Shovel to Tine Foot	1	
	686 156 M1	Washer-Special	1	
	353 426 X1	Nut-Hex.	1	
11	353 835 X1	Bolt-Carriage-Foot to Tine	2	
	353 426 X1	Nut-Hex.	2	
	353 432 X1	Washer-Lock	1	
12	862 206 M1	Foot-Tine-R.H.	1	
	862 207 M1	Foot-Tine-L.H.	1	
13	811 392 M1	Fin-Steering	1	
14	686 202 M1	Spacer-Stay	1	
15	353 564 X1	Bolt-Hex.-Tine to Angle Bar	4	
	353 426 X1	Nut-Hex.	4	
	353 432 X1	Washer-Lock	4	
16	353 616 X1	Bolt-Hex.-Stem to Tine	1	
	353 427 X1	Nut-Hex.	1	
	353 433 X1	Washer-Lock	1	
17	353 561 X1	Bolt-Hex.-Fin Stay to Angle Bar	4	
	353 426 X1	Nut-Hex.	4	
	353 432 X1	Washer-Lock	4	
NOT ILLUSTRATED				
	860 701 M1	Emblem-Trade Mark	1	

721 RIGID TINE CULTIVATOR PARTS LIST

Ref. No.	Part No.	Description	No. Off	Remarks
PAGES 321 -- 324 HELD IN RESERVE				